

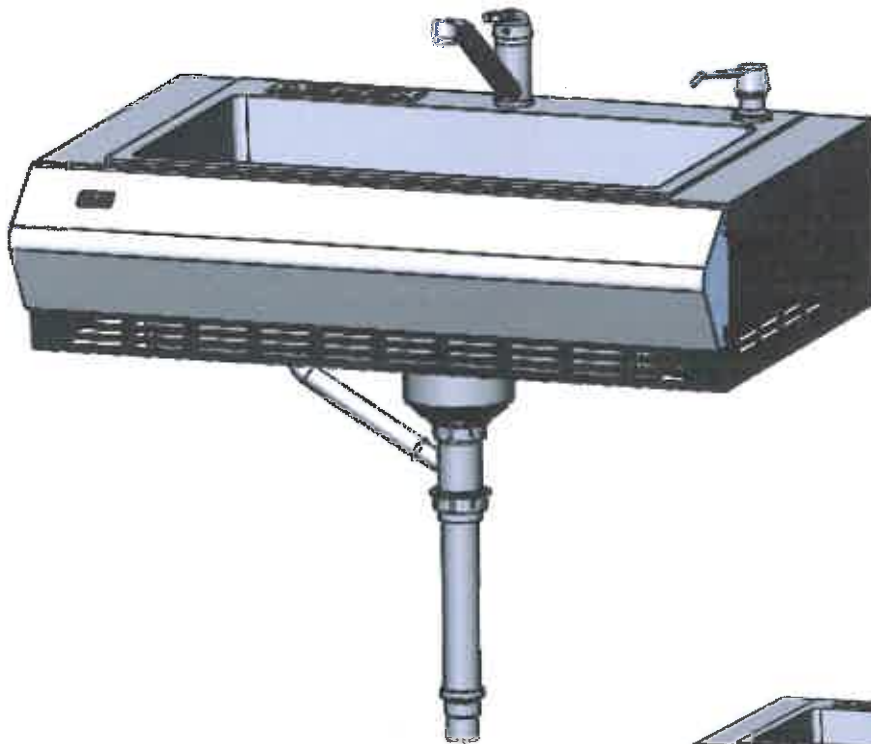
**Ziegler
& Brown**

**BARBEQUES
GALORE**

Instructions for the safe use and enjoyment of your new

Ziegler & Brown Turbo Sink Unit

- **You will need** 2 adjustable spanners + 1 phillips head screwdriver + 1 flat head screwdriver



ZGTESINKL

(For use only with separately supplied carts MC4TEJ & MC4TCJ)

Congratulations On Your Purchase

Thank you and congratulations for choosing a quality product as part of your outdoor entertaining world.

By following these instructions for safe and easy operation, you will enjoy years of satisfying, trouble-free outdoor cooking.

And when you're fully up and running, you can visit your Barbeques Galore store for some great accessories and cooking tips to make your experience even more rewarding.

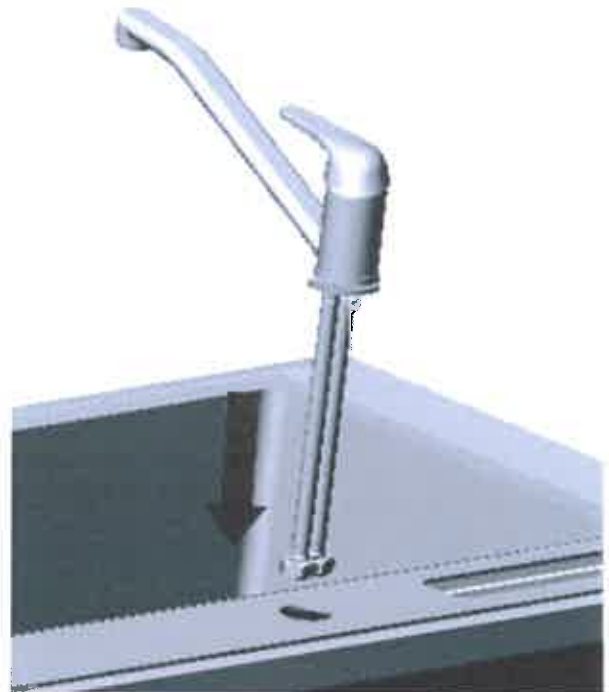
But first things first....

Follow the below steps to enjoy your sink unit

Attach The Tap

1a

Put the two water supply tubes through the hole in the sink one at a time.



1b

Screw the special brass nut onto the bolt on the tap, fasten the nut with a flathead screwdriver.

rubber washer

steel washer

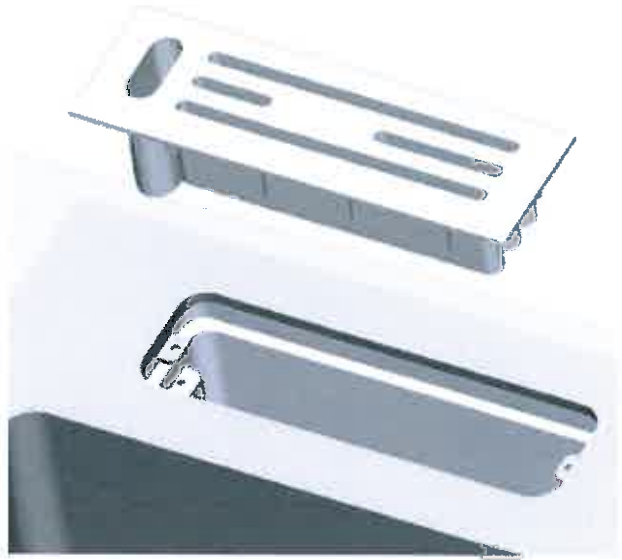
special brass nut



Attach The Knife Holder Cover

2

Place the knife holder cover into the sink top table.



Attach The Soap Dispenser

3a

Place the head of the soap dispenser into the hole in the sink top table.
Fit the rubber sealing ring as shown between the table and the soap dispenser.

To refill the soap dispenser: Lift the soap dispenser out and fill the soap reservoir directly through the tap.



3b

Screw the plastic nut onto the head of the soap dispenser



3c

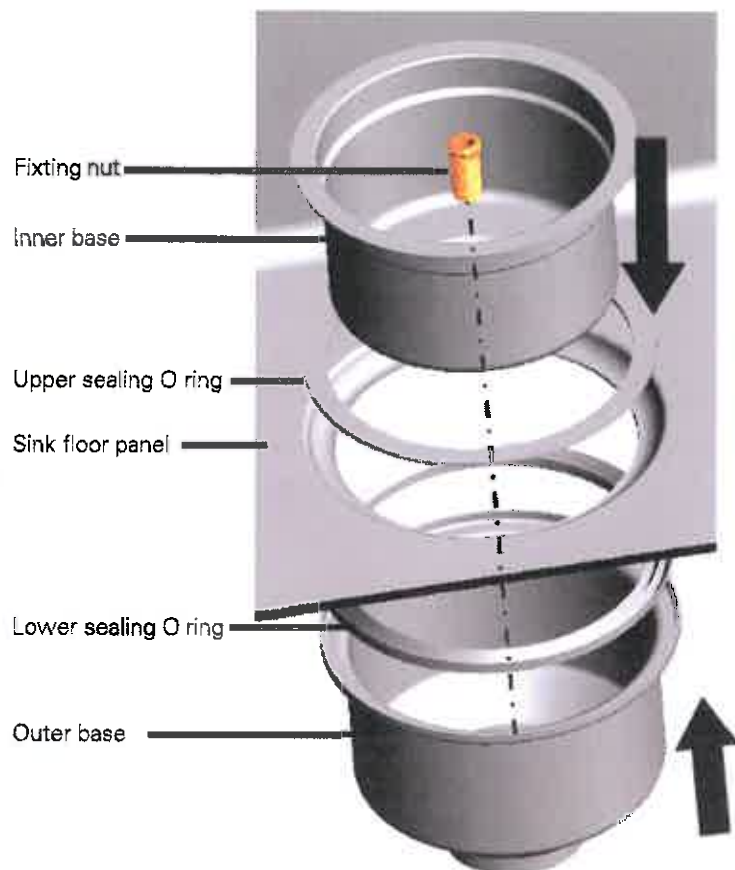
Screw the plastic bottle to the head of the soap dispenser



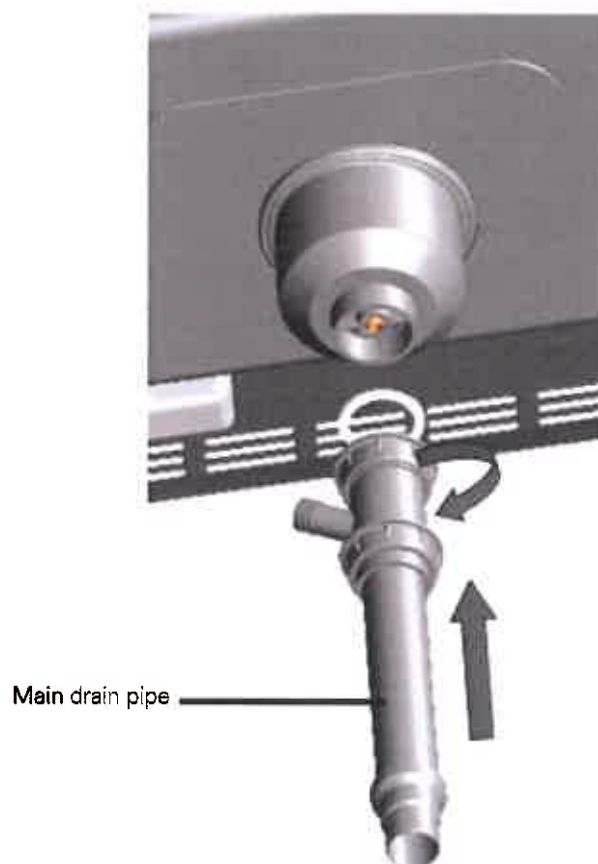
Attach The Drain Accessories

4a

Place the parts in the same sequence as the picture on the right above and below the sink base on both side, and turn the nut clockwise until the drain accessories are fully tightened to the sink.



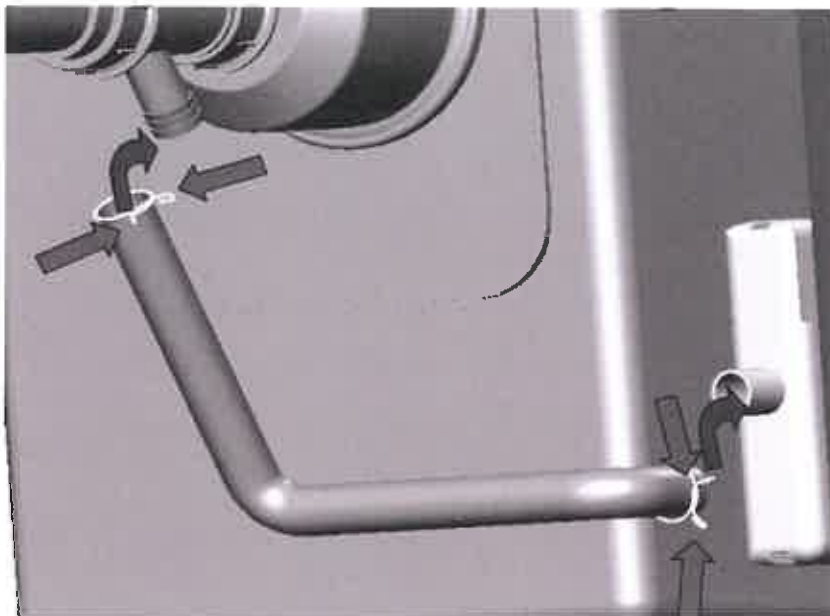
Screw the main drain pipe onto the outer base
Fit the rubber seal between the main drain pipe
and the outer base as shown.



Attach The Drain Accessories

5a

Connect the pipe from the knife holder drain to the main drain pipe.



5b

Place the parts in sequence as show into the sink inner base



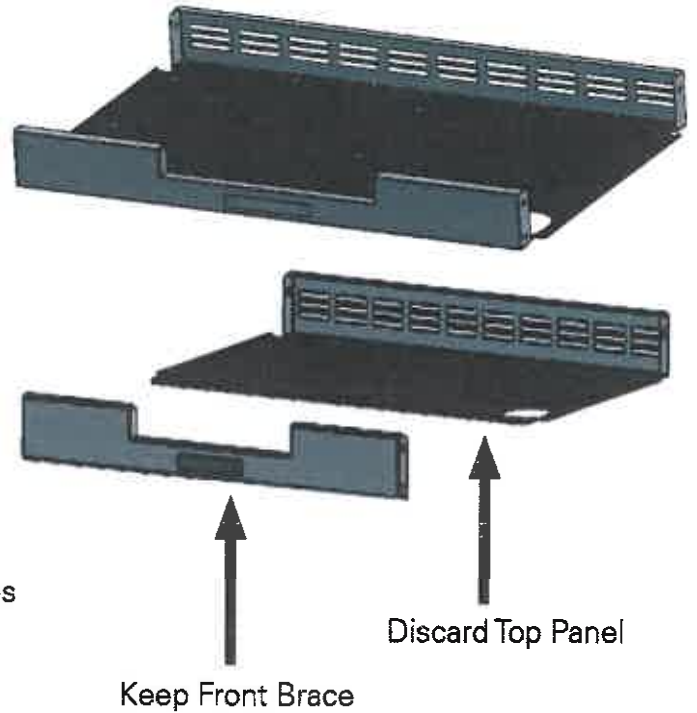
Attach The Sink To The Cart

If attaching your sink unit to a cart, follow the cart assembly instructions supplied with the cart except don't fit the cart top panel then continue as below:

6a Dismantle the cart top panel

Remove the 2 x 6mm screws and separate the cart top panel into two parts as shown.

Discard the top panel.



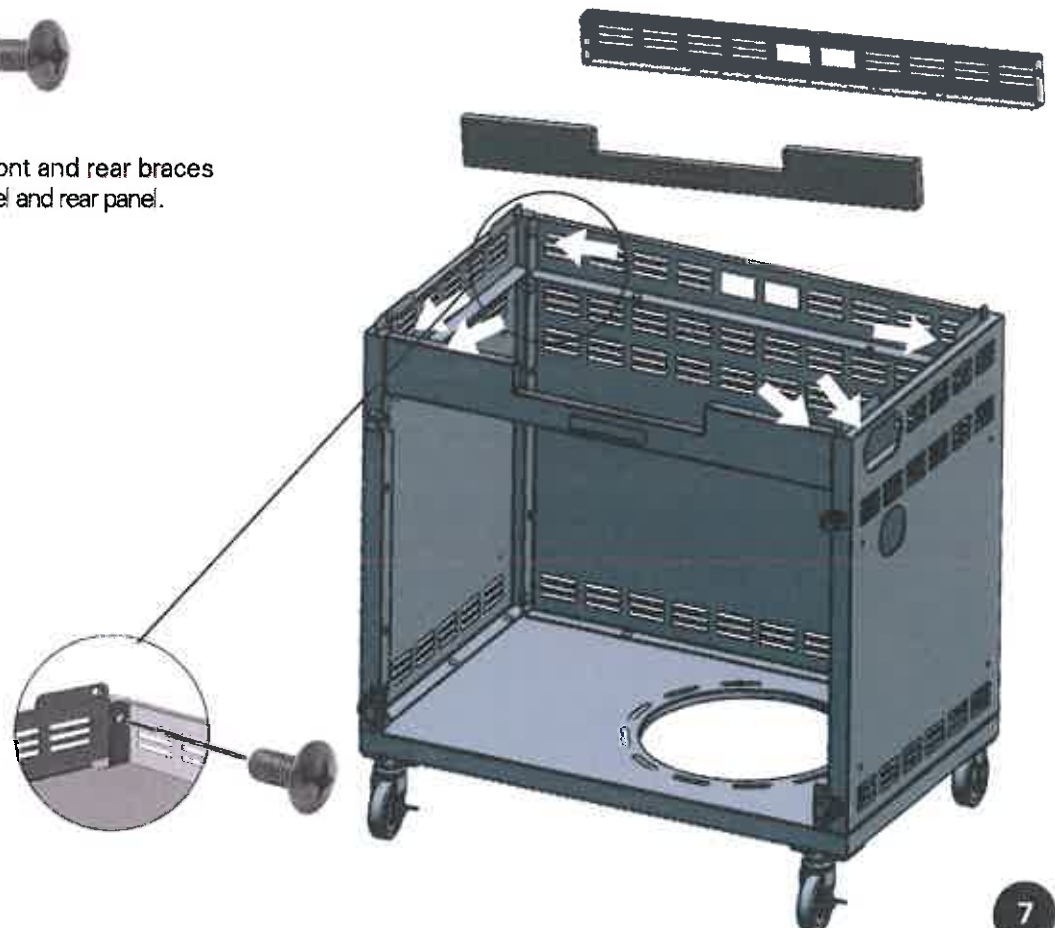
6b Assemble the front and rear braces

What You Need:

6 x 12mm screws



Use 8 screws to attach the front and rear braces to the side panels, front panel and rear panel.



Attach The Sink To The Cart

What You Need:

4 x 12mm screws

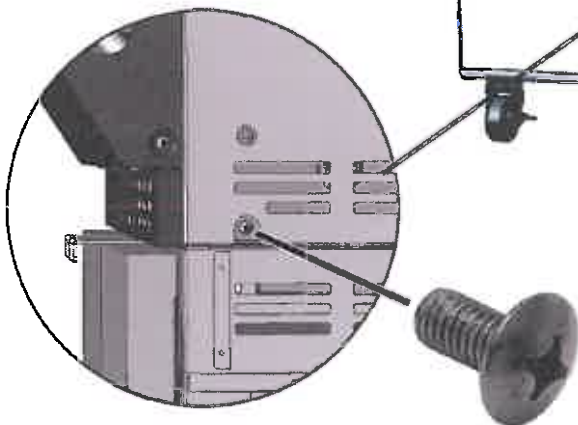
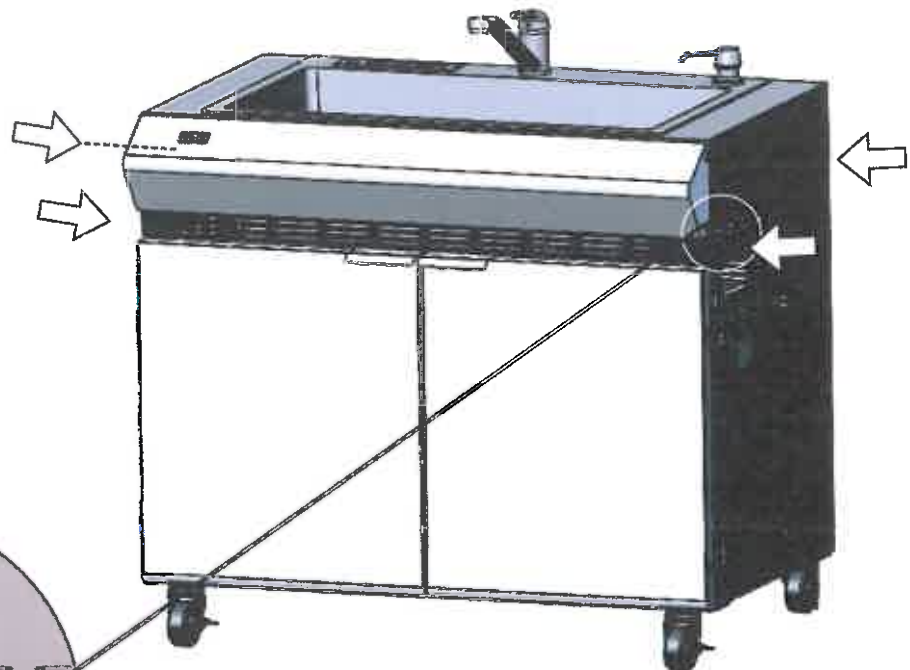
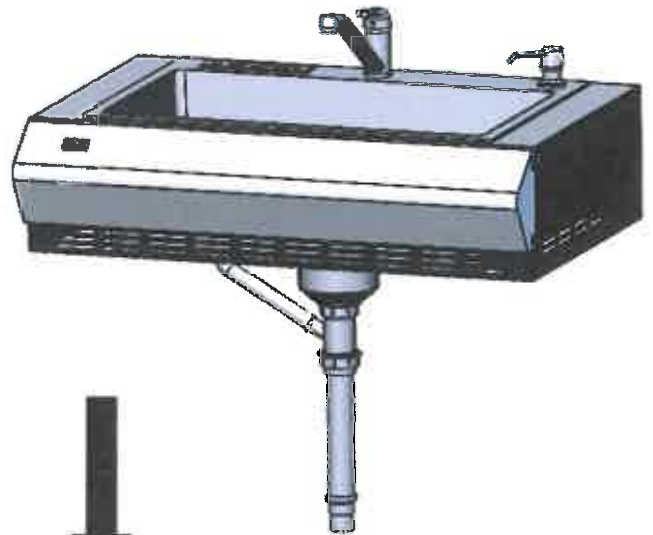


7

Lower the Sink onto the assembled cart, ensuring it is facing the same way as the doors.

When positioned correctly, fix a screw through each corner of the Sink and into the cart as indicated below.

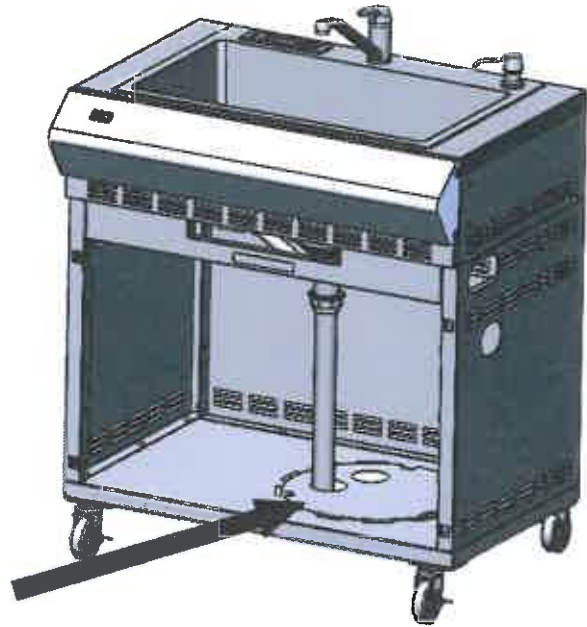
Note- an optional side burner can not be attached to this assembly (except for reticulated gas supply)



Attach The Water Supply Tube

8a

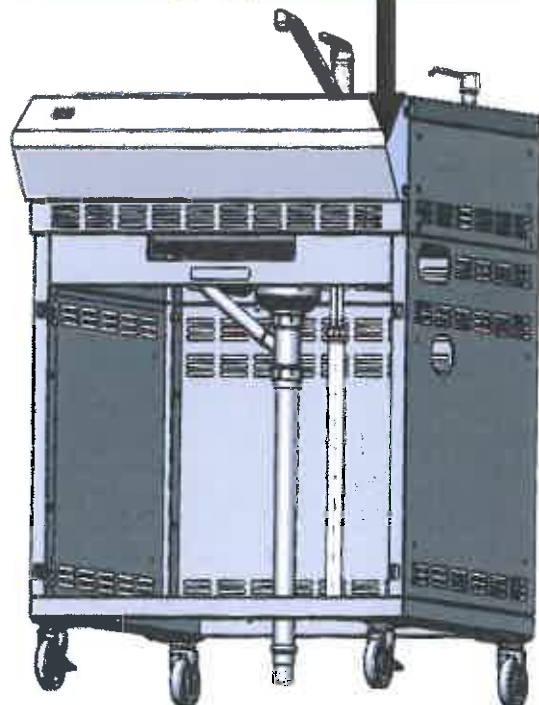
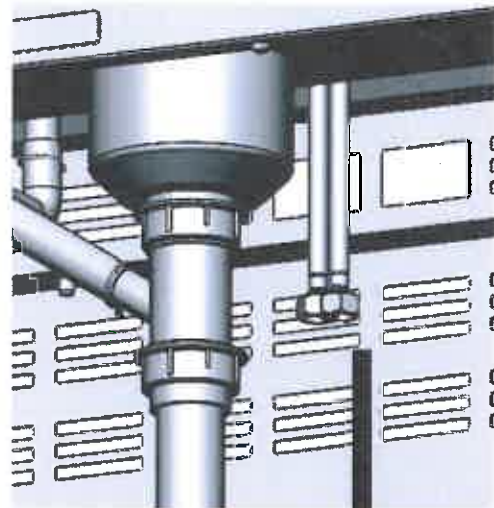
Cover the cylinder hole with the special cover. Let the water drain pipe go through one of the holes on the cover



8b


Fit the water supply pipe to the tap. The tap includes both hot & cold water pipes, red for hot water inlet, blue for cold water inlet.


A licensed plumber must be enlisted to connect to water and drain.



Join The Carts (Multiple Units Only)

What You Need:

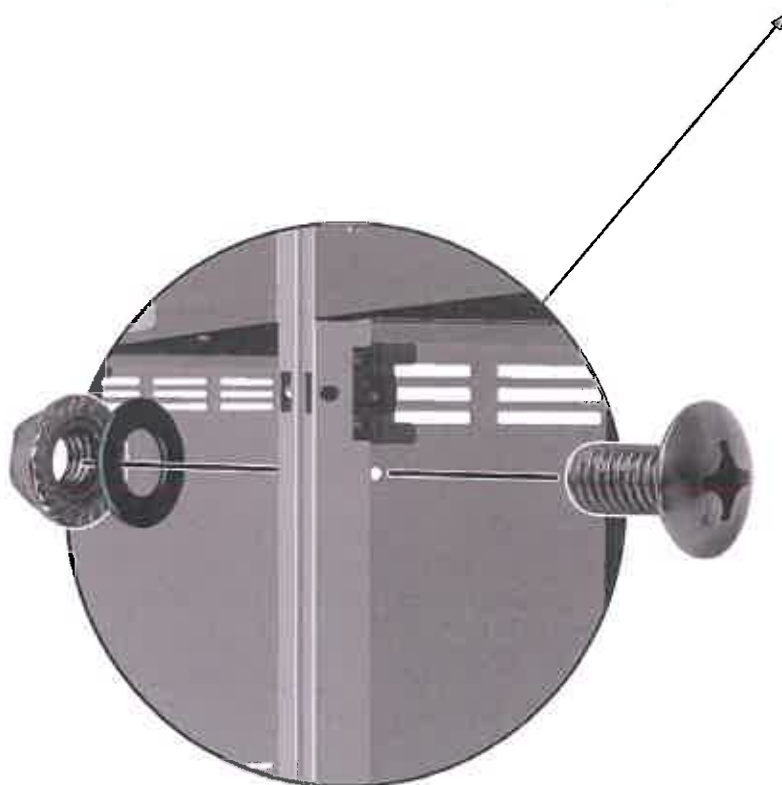
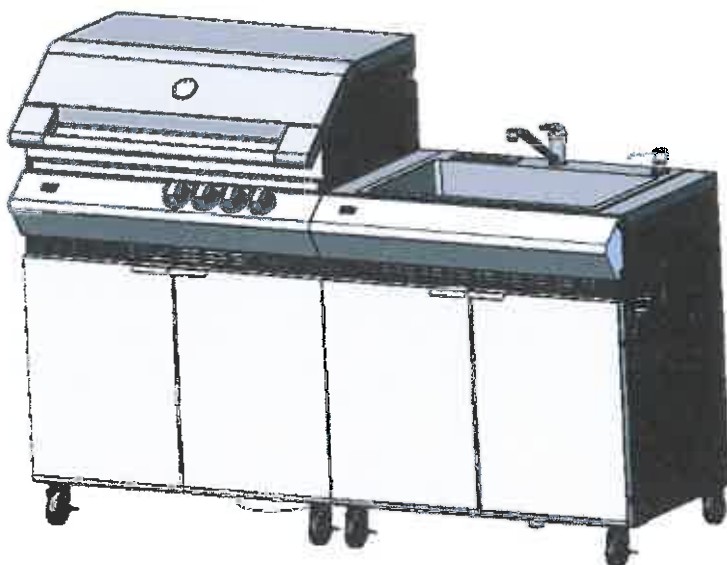
4 x 12mm screws 

4 x flange nuts 

4 x flat washers 

If you have purchased a second unit and are assembling multi-cart Ziegler & Brown Turbo bbqs, connect the adjacent carts together now.

Fix a screw and matching nut through all four holes in the side panels being connected.



Attach Rails to Left Side Shelf

(Where applicable for separately purchased shelves)

What You Need:

4 x 28mm screws



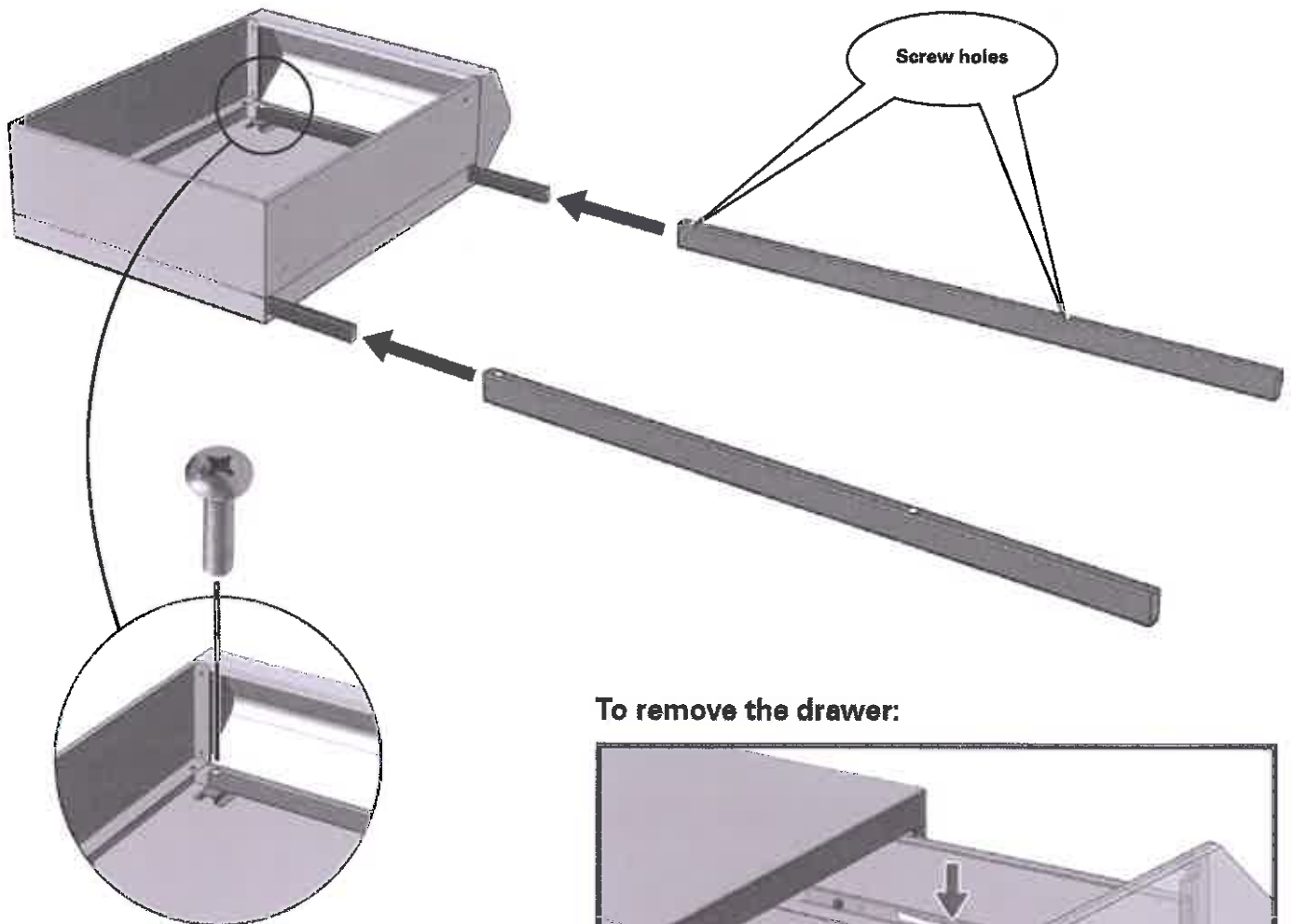
(for each side shelf or drawer shelf)

Before attaching the side shelf to your Sink you must attach two rails to the side shelf.

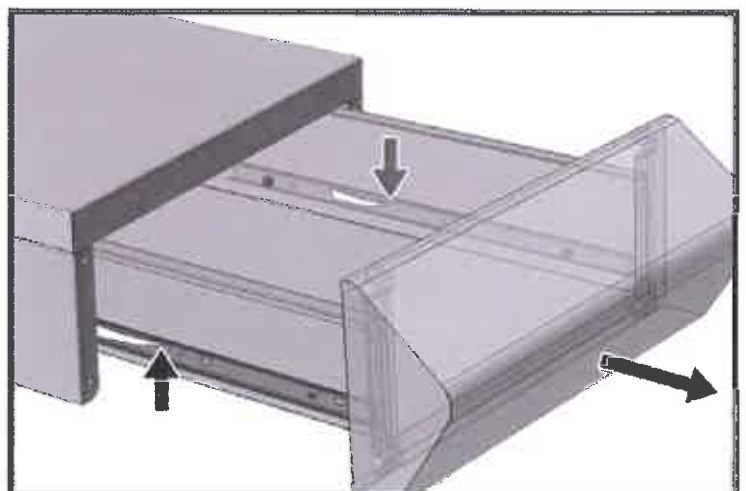
Turn the side shelf upside down and insert two rails in the direction shown.

Use 2 screws in each rail to secure it to the side shelf.

Note: If your model features a side drawer, you must remove the actual drawer before attaching the rails. Do this by pulling the drawer out as far as possible, then pushing UP on the left lever and DOWN on the right lever, while firmly pulling the drawer out completely – see inset below.



To remove the drawer:

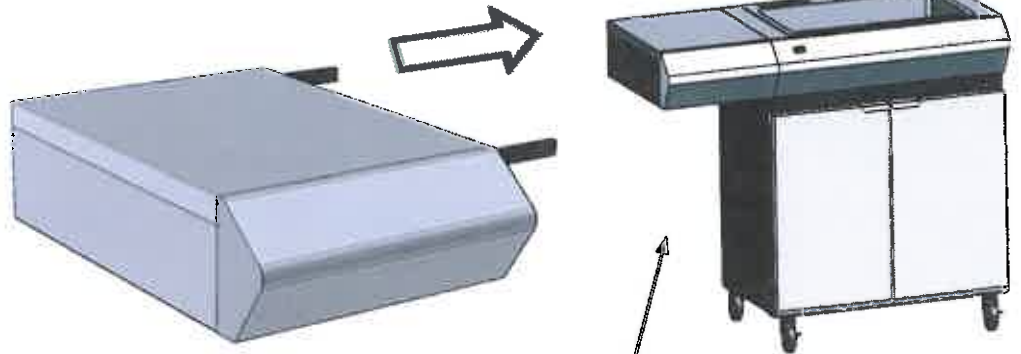


Attach The Left Side Shelf

(Where applicable for separately purchased shelves)

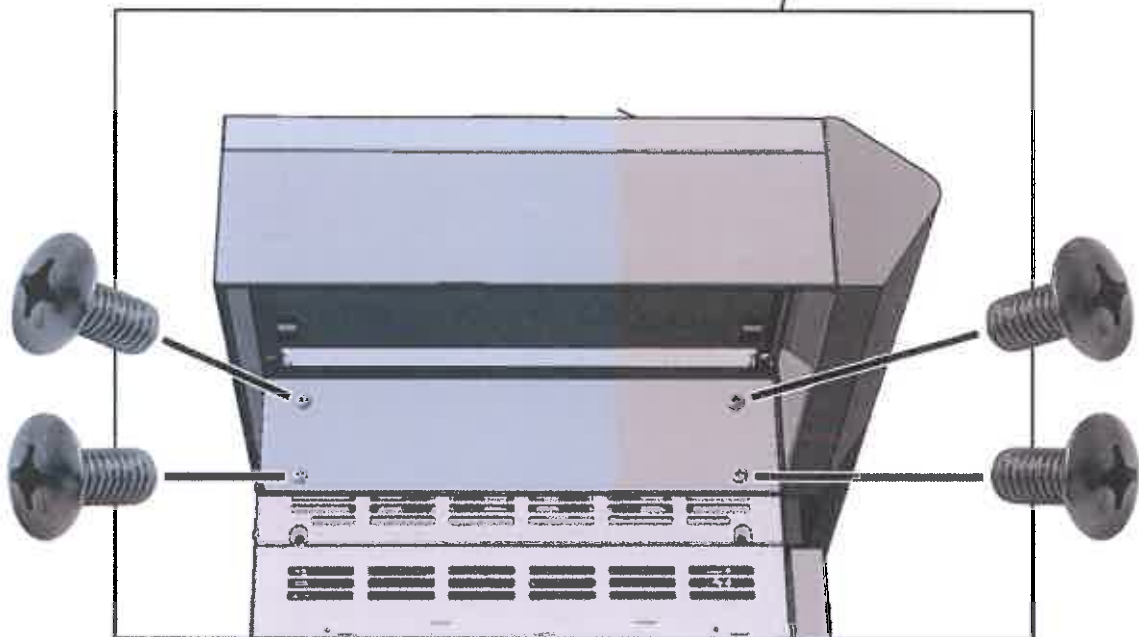
What You Need:

4 x 12mm screws



Slide the side shelf's rails into the left side of the unit. When positioned correctly, the shelf should line up with the barbecue.

Fix 4 screws through the side shelf and into the unit.



Before attaching the separately purchased side burner

Note: This cart can not be used to hold a gas cylinder! The side burner can only be fitted where gas supply is reticulated (pipes) to the unit.

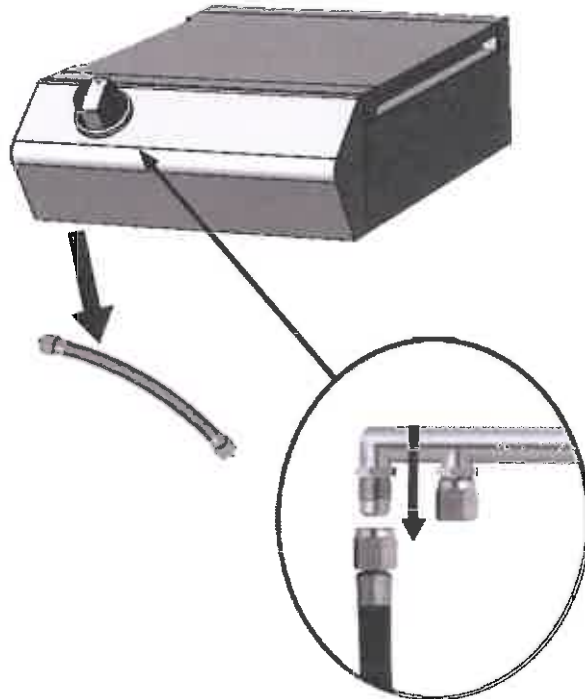
This is to prevent possible ignition of gas in the cylinder cabinet.

A licensed gas fitter must be enlisted to connect the gas supply.

Remove The Connector Hose

Remove the connector hose from the outlet on the side burner 'F' connector.

Important: Use two spanners to loosen the connection: one to hold the gas inlet pipe, the other to turn the hose fitting.

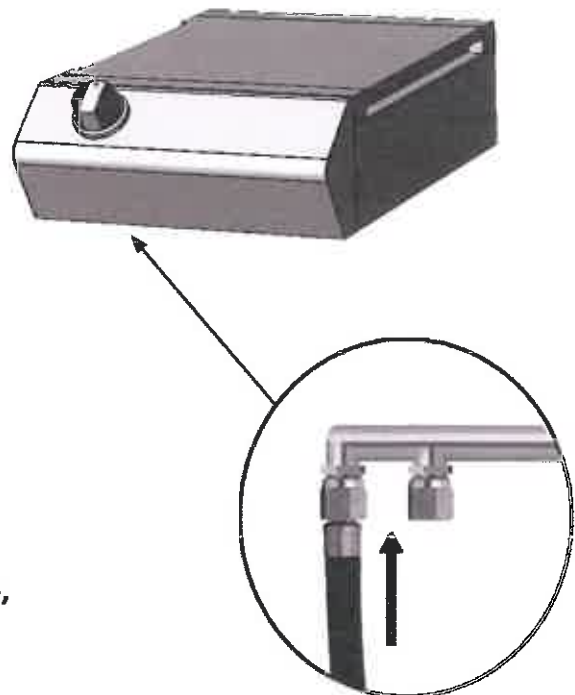


Connect The Gas Supply

Connect the gas supply to the now available outlet of the side burner 'F' connector.

Important: Use two spanners to tighten the connection: one to hold the gas inlet pipe, the other to turn the hose fitting. Many backyard fires are caused by connections which are only hand tightened.

Note: for reticulated gas supply, the appropriate gas fittings must be used, all connections must only be made by a licensed gas fitter.



Make sure the cap is fixed firmly in place, and a leak test performed.

Before connecting the hose and regulator to the gas supply, refer to lighting instructions with the side burner for directions on leakage test and general gas supply

Connect The Rails To The Side Burner Or Right Side Shelf (Where applicable for separately purchased side shelves or side burner)

What You Need:

4 x 28mm screws



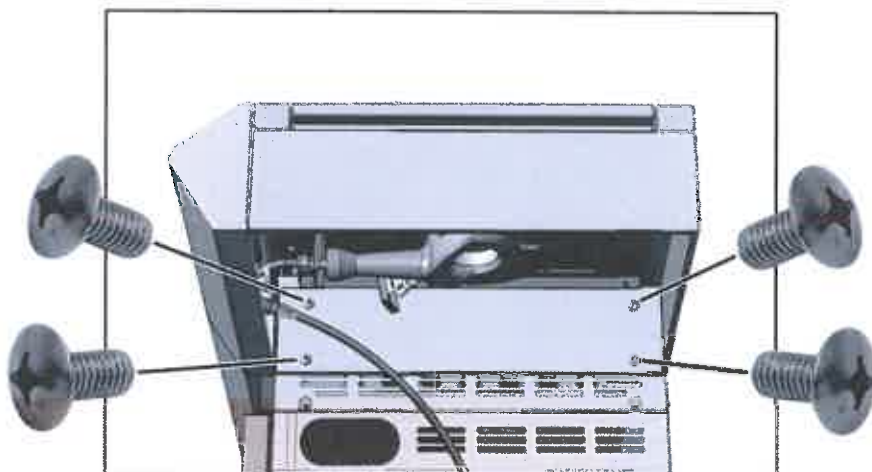
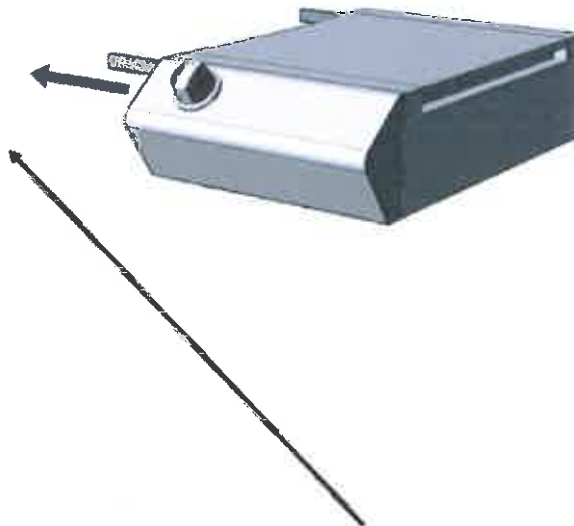
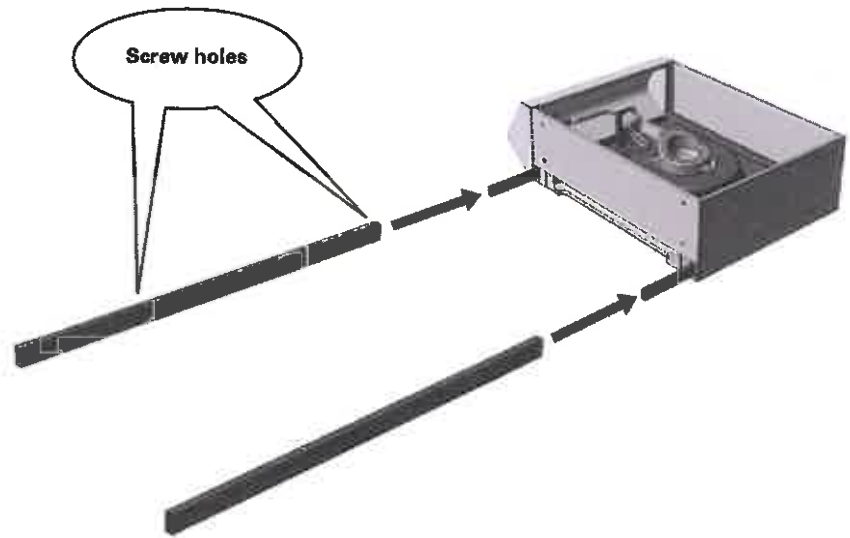
4 x 12mm screws



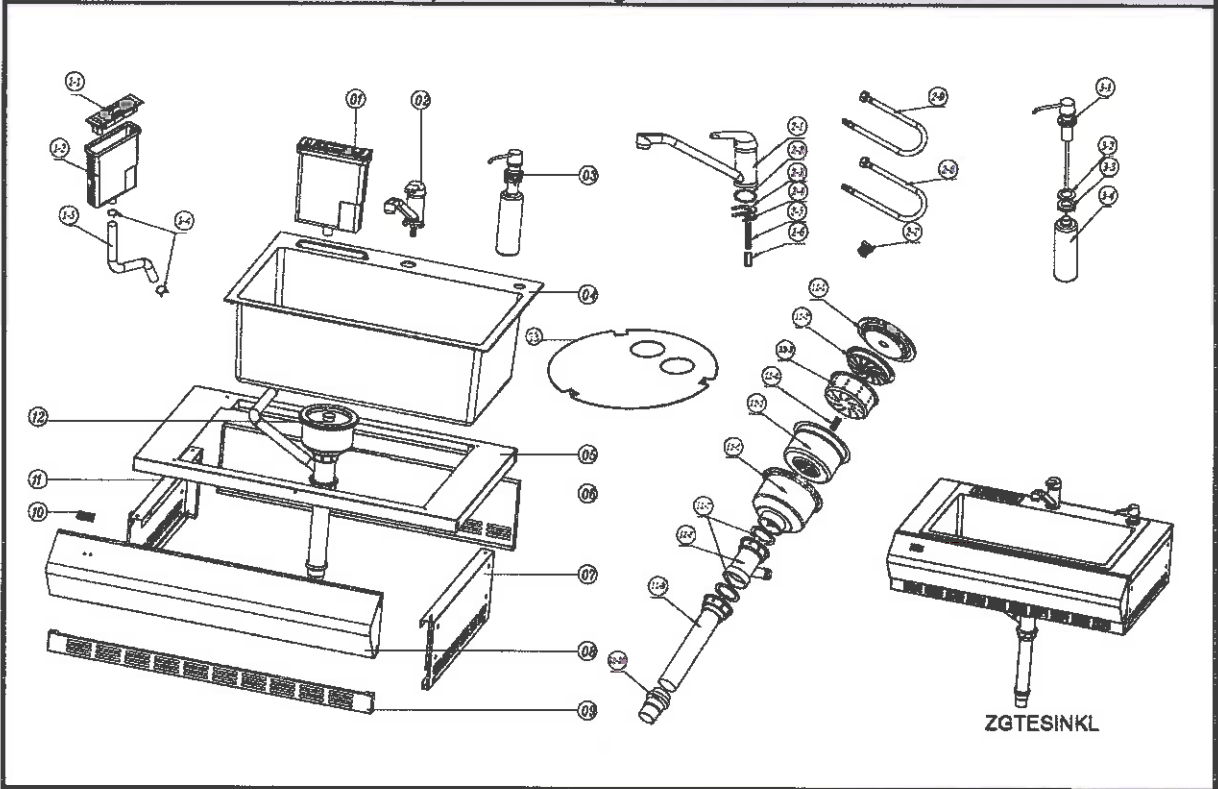
Attach the side burner in the same manner as the side shelf.

Use 4 x 30mm screws to attach both rails to the side burner.

Then slide the side burner into the Sink and secure it using 4 x 12mm screws.



Exploded drawing of ZGTESINKL



Parts list of ZGTESINKL

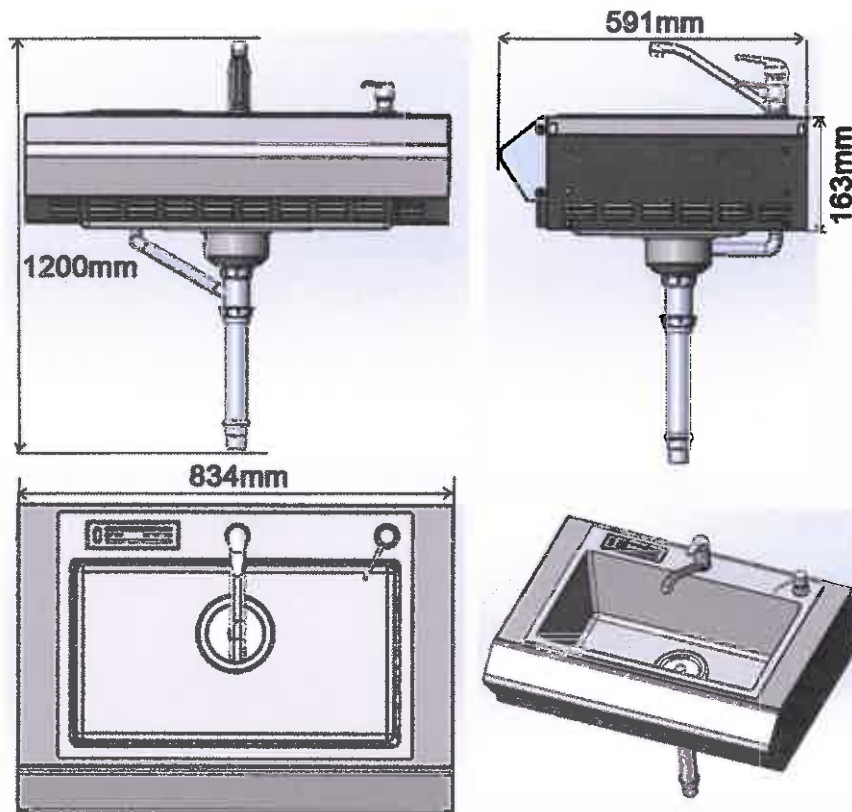
DIAGRAM#	GLG Part Code	Parts Description	QTY Per Sink	QTY Per Part Code
1	SKY17-0437	knife holder assembly	1	1
1-1	SKY17-0437-1	knife holder	1	1
1-2	SKY17-0437-2	knife holder water collector	1	1
1-3	SKY17-0437-3	knife holder drain pipe	1	1
1-4	SKY17-0437-4	snap ring	2	1
2	SKY17-0435	tap assembly	1	1
2-1	SKY17-0435-1	tap body	1	1
2-2	SKY17-0435-2	rubber ring	1	1
2-3	SKY17-0435-3	rubber spacer	1	1
2-4	SKY17-0435-4	steel spacer	1	1
2-5	SKY17-0435-5	screw bolt	1	1
2-6	SKY17-0435-6	brass nut	1	1
2-7	SKY17-0435-7	cap (water inlet pipe)	1	1
2-8	SKY17-0435-8	cold water inlet pipe	1	1
2-9	SKY17-0435-9	hot water inlet pipe	1	1
3	SKY17-0438	soap dispenser assembly	1	1
3-1	SKY17-0438-1	head of soap dispenser	1	1
3-2	SKY17-0438-2	seal ring	1	1
3-3	SKY17-0438-3	plastic nut	1	1
3-4	SKY17-0438-4	soap dispenser bottle	1	1
4	SKY17-0434	sink	1	1
5	SKY20-2184-Q	sink top panel	1	1
6	SKY21-4158-6	rear surround panel	1	1
7	SKY21-4157-6	RH surround panel	1	1
8	SKY20-2193-Q	sink front panel welding assy	1	1
9	SKY21-2434-6	front vent panel	1	1
10	SKY23-0125	badge	1	1
11	SKY21-4156-6	LH surround panel	1	1
12	SKY17-0439	drain assembly	1	1
12-1	SKY17-0439-1	drain cover	1	1
12-2	SKY17-0439-2	upper filter	1	1
12-3	SKY17-0439-3	lower filter	1	1
12-4	SKY17-0439-4	fixing nut	1	1
12-5	SKY17-0439-5	inner base	1	1
12-6	SKY17-0439-6	outer base	1	1
12-7	SKY17-0439-7	rubber ring	2	2
12-8	SKY17-0439-8	upper main drain pipe	1	1
12-9	SKY17-0439-9	middle main drain pipe	1	1
12-10	SKY17-0439-10	lower main drain pipe	1	1
13	SKY21-4184-6	cylinder hole cover	1	1

Technical

Refer to the data sticker on your barbeque for jet sizes gas pressures etc. The dimensions of your Sink is as following. Please note that we are continually updating our barbeques, so these specifications may change over time.

Gas connection:

5/8" - 18 UNF



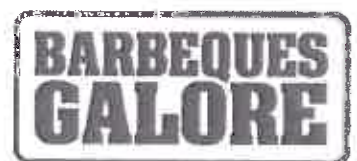
More Information

Need more information or assistance in any way? You can call your Barbeques Galore store where barbeque experts will be happy to help you. Just phone

1 300 301 392

Or visit our website at

www.barbequesgalore.com.au



G.L.G. Australia Pty Ltd (ACN 001 185 002)
Building A2, Campus Business Park, 350-374 Parramatta Road Homebush NSW 2140
Ph. 02 9735 4111