

INSTALLATION CLEARANCES

for AUSTWOOD LACHLAN

Please refer to the diagrams and table below for hearth clearances as well as clearances to combustible surfaces for your Austwood heater.

HEATER CLEARANCES

It is vital that the heater be installed the proper distance from combustible surfaces like wood, gyprock and curtains. These minimum distances, which you need to observe for your particular heater are stated below. The diagrams show both parallel and corner installations.

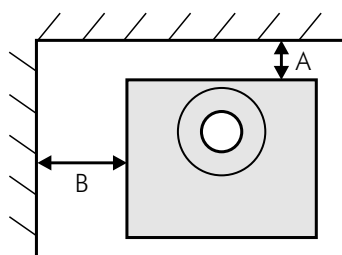
Failure to maintain these minimum distances may result in a fire for which your insurer may refuse to cover.

HEARTH CLEARANCES

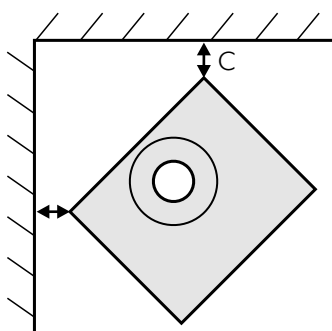
It is necessary to ensure that the heater is positioned on the hearth so that the requirements below are observed:

- * The front of the hearth should extend past the heater by minimum 300 mm
- * The side of the hearth should extend past the firebox door opening by minimum 200 mm on each side

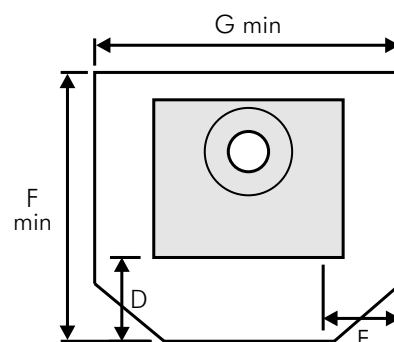
Parallel Installation



Corner Installation



Hearth Dimensions and Clearances



	A	B	C	D	E	F	G
All dimensions are in millimetres							
Lachlan							
with Maxiheat Decromesh Default Flue Kit	50	300	50	300	200	908	935