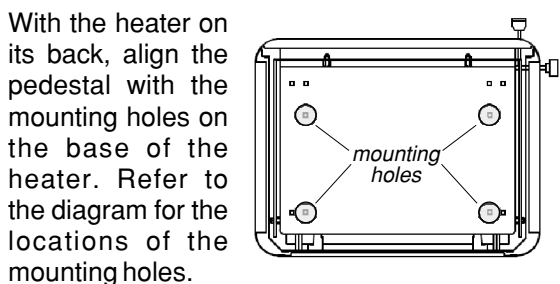
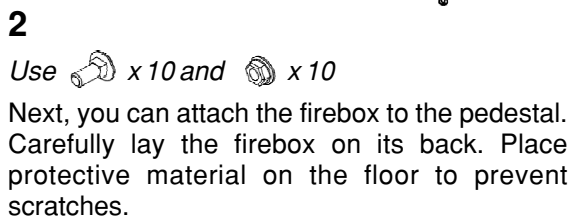
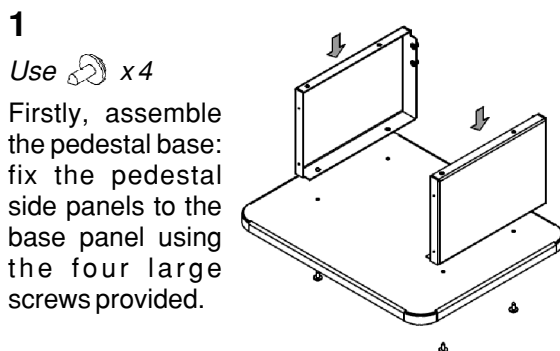
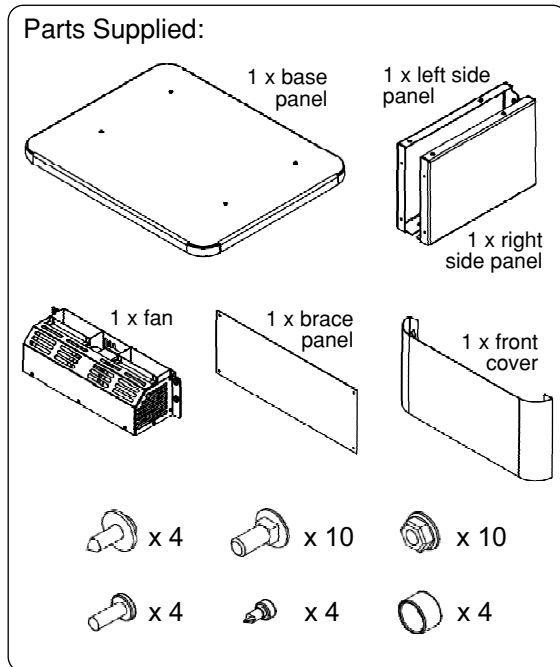
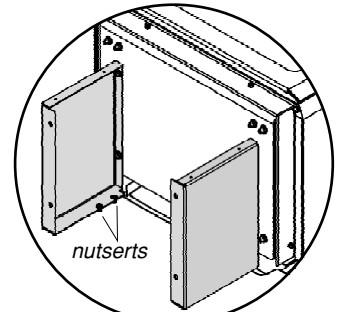


ASSEMBLING YOUR NEW HEATER - PEDESTAL MODEL

Before you start assembling, we recommend you remove the firebricks, brick retainer and baffle plate from inside the firebox and also remove the top panel from the top of the heater. The top panel can be lifted off; there are no screws involved.



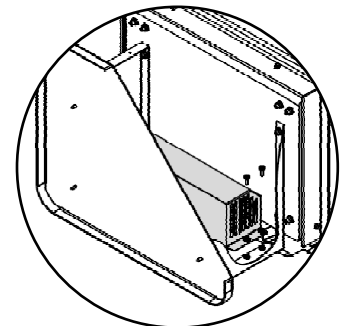
Fix the pedestal with the coach head bolts and nuts. There are nutserts in the pedestal side panels; these go towards the rear of the heater, as shown.



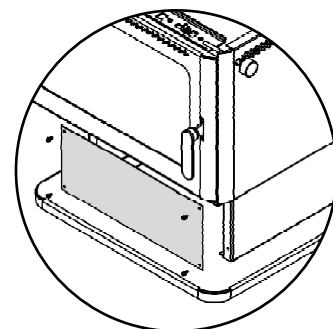
Place the remaining nuts and bolts in the other six holes in the base of the firebox and tighten.

Base panel removed from view for clarity

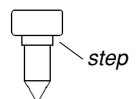
3
Use x 4
Fix the fan to the pedestal using the four screws provided.



4
Use x 4
Carefully stand the heater up and fit the pedestal brace panel. Use the four shoulder screws.



The head of these screws have a step to allow for the pedestal cover panel, which will be assembled in the following step.



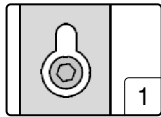
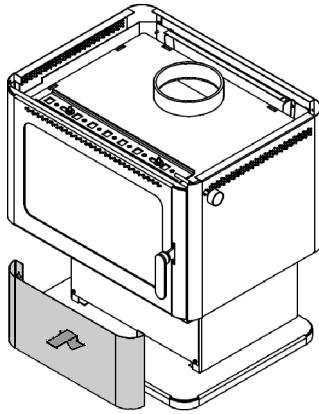
Continued on next page...

ASSEMBLING YOUR NEW HEATER - PEDESTAL MODEL

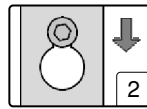
5

The pedestal front cover has four keyhole cutouts to allow it to fit over the shoulder screws.

Align the cutouts over the heads of the shoulder screws.



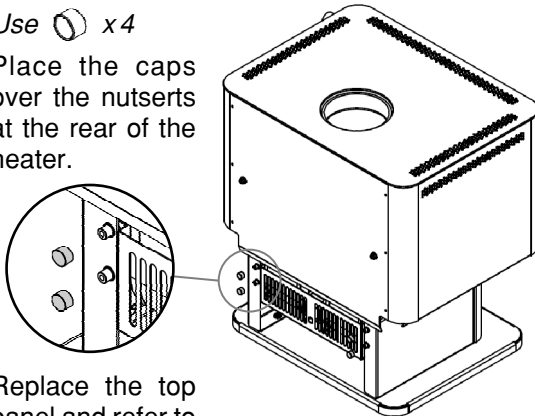
Once the four cutouts are aligned, push the panel down into place.



6

Use  x 4

Place the caps over the nutserts at the rear of the heater.



Replace the top panel and refer to the heater instructions for placement of your baffle plate and firebricks.