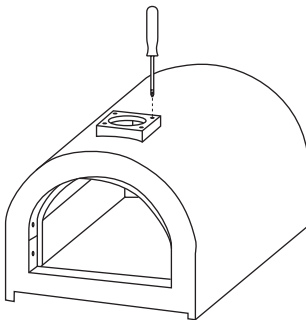


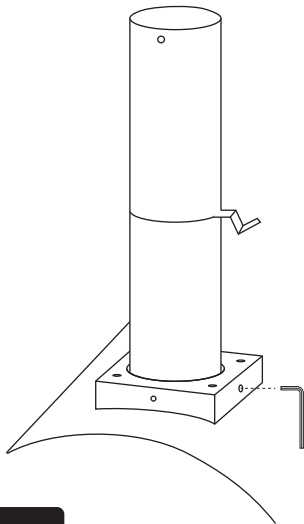
STEP 1 - Remove the pre-attached chimney collar by unscrewing the 4 bolts as shown in the image. (Once removed discard the original collar but keep the 4 bolts you have removed aside, as these will be required to fit the new collar).



STEP 2 - Position the new collar (from the pack provided) over the hole in the oven body and fit this in to place using the 4 bolts that you have kept aside.

STEP 3 - Once the new collar is secure, place the chimney down in to this. Holding the chimney still and in an upright position begin to tighten each of the grub screws found in the side of the collar with the Allen key provided. Take care not to tighten one fully before moving on to the next, as this could push the chimney out of line. Instead tighten each grub screw gently and work your way around until all are tight and the chimney remains vertical.

Your chimney will now be secure and ready to use.



Tools required

