

### 120L Single Door Outdoor Display Fridge

RRP AUS \$1,299.00



## Product Details

### FEATURES

Available in 3 different configurations	Designed for outdoor use	Cantilevered, adjustable wire shelving	Electronic touch controls
LED illumination	Self closing, lockable doors	Frost free system with auto defrost	Insulated & heated double glazed glass doors with stainless steel frame
IPX4 Rating			

### BENEFITS

Available in 2 different configurations The Beefeater outdoor display fridge is available in single or double door variants.	Designed for outdoor use The Beefeater cabinet has been tested to 43C in the shade and has a 304 grade stainless steel finish, making it ideal for usage in an outdoor environment.
Insulated & heated double glazed glass doors with stainless steel frame Perfect for entertaining, the glass display allows you to see all of your drinks at a glance while the heated doors prevents condensation for even better visibility.	Cantilevered, adjustable wire shelving The adjustable wire shelves are easy to clean.
Electronic touch controls The external electronic controls allow you to set the temperature for your cabinet at the touch of a button, with a temperature range of -2C to 8C.	LED illumination Bright LED lighting illuminates all of your refrigerated products for easy visibility.
Self closing, lockable doors	Frost free system with auto defrost

#### IPX4 Rating

The cabinet is protected against splashes of water for at least 5 minutes, making it perfect for use within a built-in outdoor kitchen.

---

## Specifications

### PRODUCT PROFILE

---

Domestic warranty details (yrs)	2
Additional domestic warranty for the sealed refrigeration system only (yrs)	3
Refrigerator Type	Outdoor display fridge
Exterior door finish	Brushed stainless steel frame with glass display
Handle design	bar handle
Fridge door opening	right
Cooling system	frost free
Refrigerant	R600a
Suitable for outdoor undercover use	Yes
IPX Rating	4

### REFRIGERATOR SYSTEM

### DIMENSIONS

---

Total height (mm)	850
Total width (mm)	555
Total depth (mm)	495
Total Net Capacity (L)	118

### FOOD COMPARTMENT

---

### SHELVING

---

## REFRIGERATOR SYSTEM

---

Controls	electronic (with display)
----------	---------------------------

---

Controls location	external
-------------------	----------

---

Controls type	touch
---------------	-------

---

## LIGHTING

---

Main light	LED
------------	-----

---

## BEEFEATER FILTER TYPE

---

BeefEater Filter Type	Outdoor display fridges
-----------------------	-------------------------

---

Shelf material	wire
----------------	------

---

Cantilever shelves	2
--------------------	---

---

## WINE COOLER COMPARTMENT

---

### OTHER PROPERTIES

---

Door lock	Yes
-----------	-----

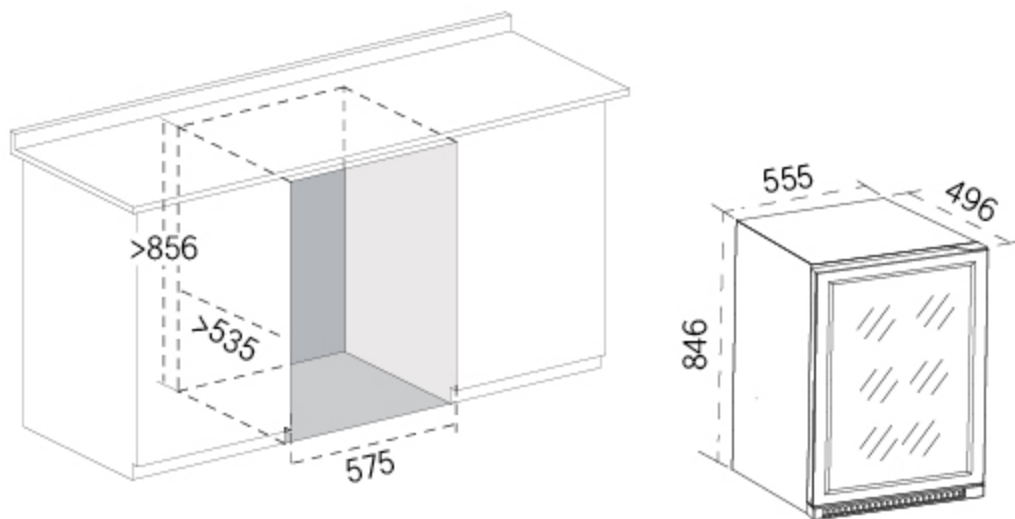
---

Adjustable thermostat	Yes
-----------------------	-----

---

## Dimensions

BS28130



**IMPORTANT**

These dimensions are a guide only.  
All measurements are in millimetres (mm).

# Terms and Conditions

## IMPORTANT

This is a guide of product dimensions only. For complete installation instructions, refer to the manual provided with product.

## PRODUCT INFORMATION

The descriptors and illustrations in this publication apply to the specific products and models described as at the date of issue. Under our policy of continuous product development, product specifications may change without notice. Prospective purchasers should therefore check with their retailer to ensure this publication correctly describes the products that are being offered for sale. All information supplied is to be used for general reference purposes only and is on the understanding that Electrolux Home Products Pty Ltd (Australia) and Electrolux (NZ) Ltd (New Zealand) will not be liable for any loss, liability or damage of whatever kind arising as a result of reliance on such information. Colours of products illustrated are as close as printing limitations allow. Electrolux will at all times comply with its obligations pursuant to law including Trade Practices (Australian Consumer Law) Act and Regulations.

## WARRANTY

This warranty only applies to Appliances purchased and used in Australia or New Zealand and used in normal domestic applications and is in addition to (and does not exclude, restrict, or modify in any way) any non-excludable statutory warranties in Australia or New Zealand. All warranties are subject to the conditions set out in the warranty card accompanying the product when purchased.

### ELECTROLUX HOME PRODUCTS AUSTRALIA

telephone: 1300 363 640

fax: 1800 350 067

email: [customercare@electrolux.com.au](mailto:customercare@electrolux.com.au)

web: [www.electrolux.com.au](http://www.electrolux.com.au)

### ELECTROLUX HOME PRODUCTS NEW ZEALAND

telephone: 09 573 2230

fax: 09 573 2221

email: [customercare@electrolux.co.nz](mailto:customercare@electrolux.co.nz)

web: [www.electrolux.co.nz](http://www.electrolux.co.nz)