



**4 Burner Hotplate Barbeque
Assembly Instructions
Product Code: G4NEX
Model Number: 720-0786D
(See also Operating Instructions Manual)**



IMPORTANT: READ AND FOLLOW ALL WARNINGS AND INSTRUCTIONS BEFORE ASSEMBLING AND USING THE APPLIANCE. RETAIN FOR FUTURE REFERENCE.

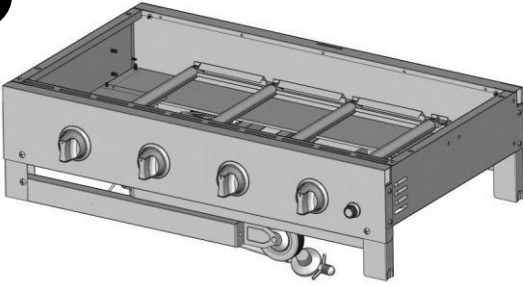
Table of Contents

Package Content List	2
Preparation	3
Assembly Instructions	3 – 12

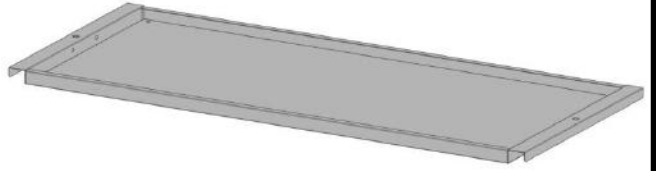
FOR OUTDOOR USE ONLY. NOT FOR COMMERCIAL USE.

Package Parts List

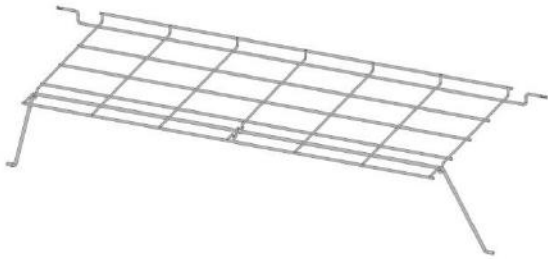
1



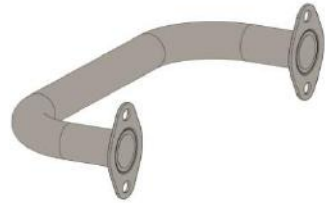
2



3

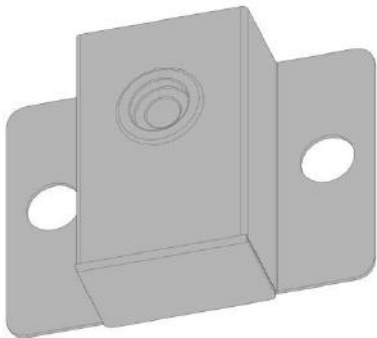


4



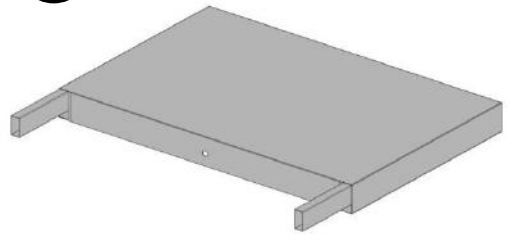
5

x2

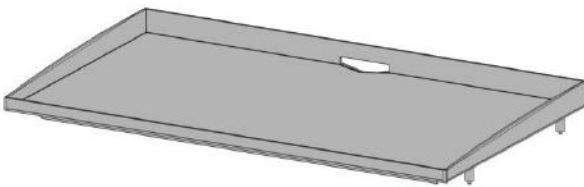


6

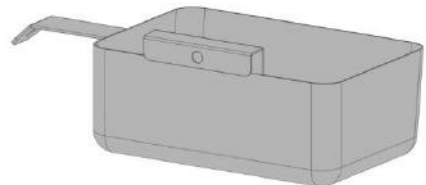
x2



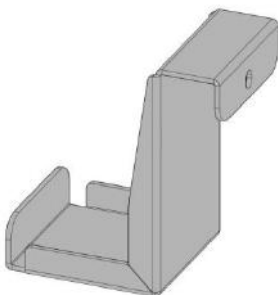
7



8



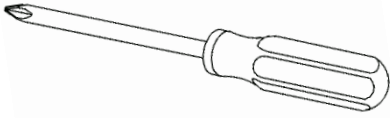
9



10



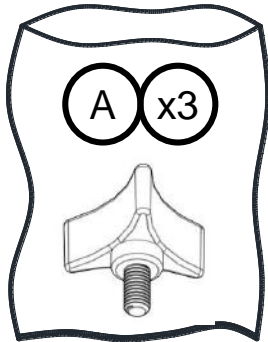
Tools Needed



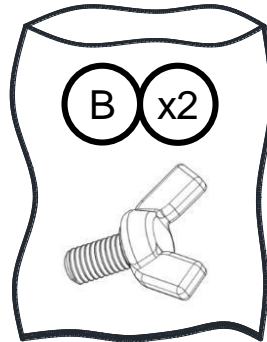
Some parts come with screws pre-installed. Loosen and tighten for final assembly.

Hardware package list

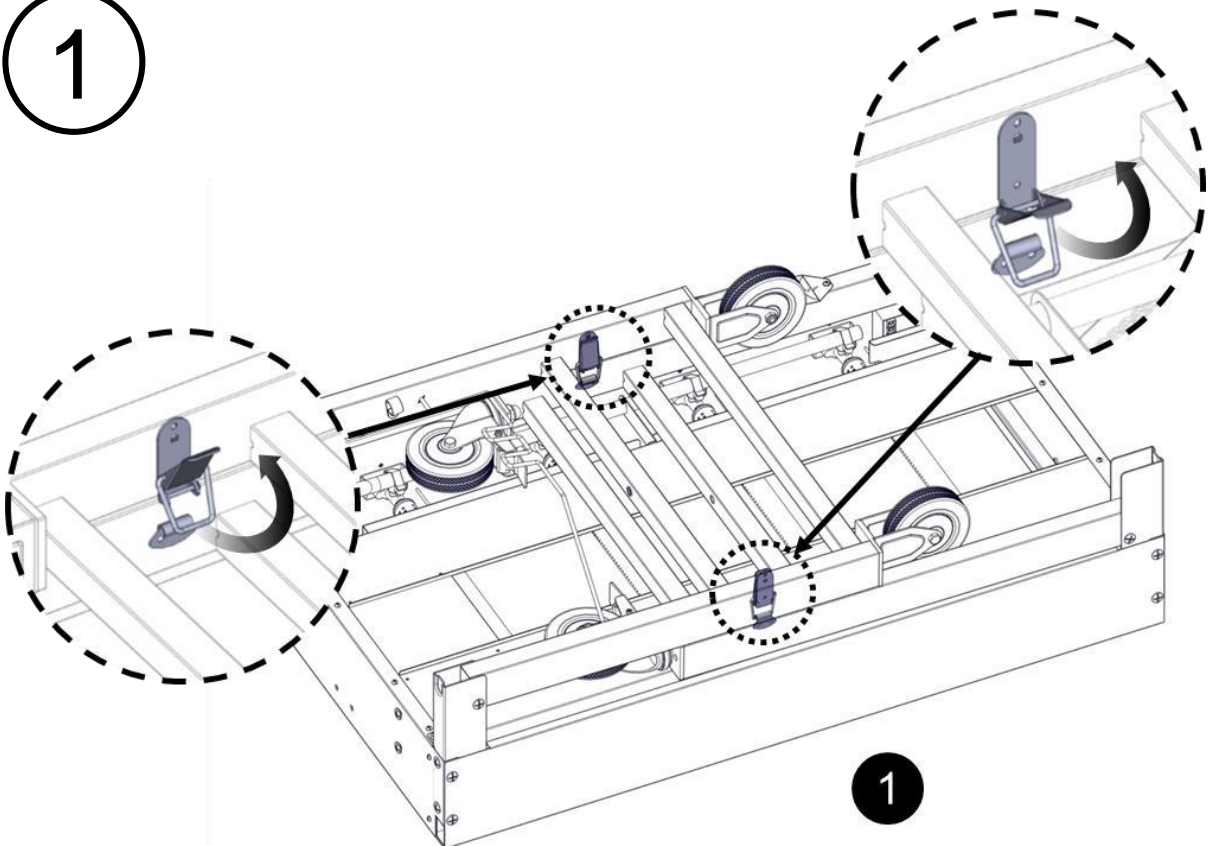
Triangle Knob



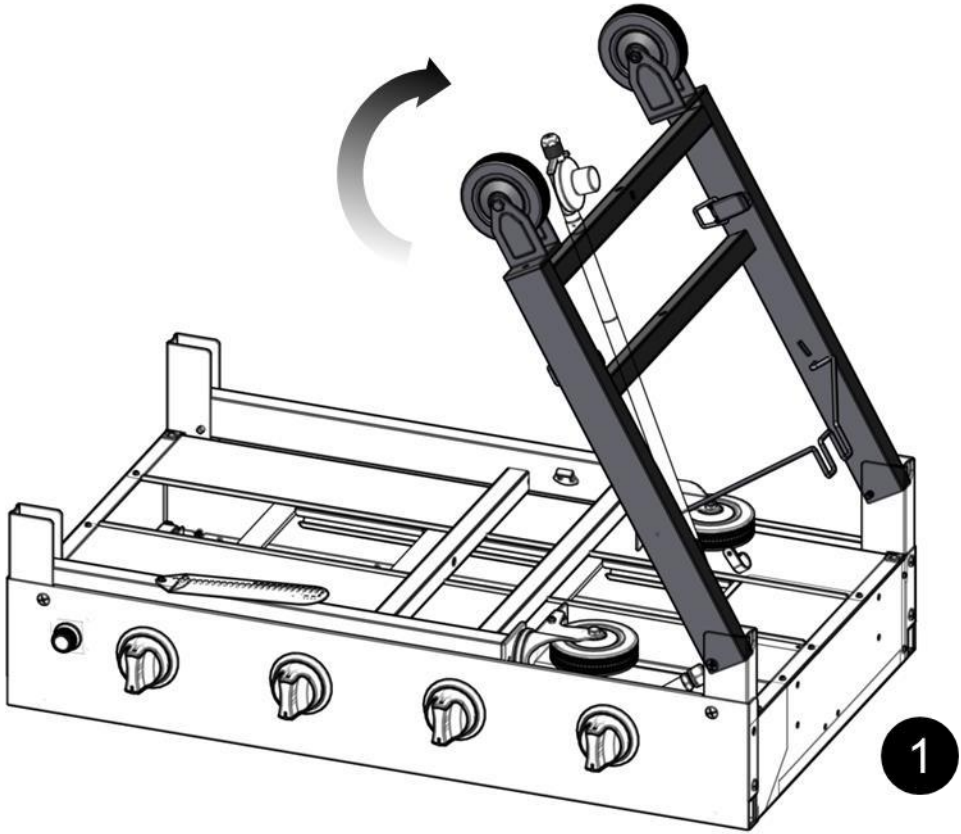
Wingscrew



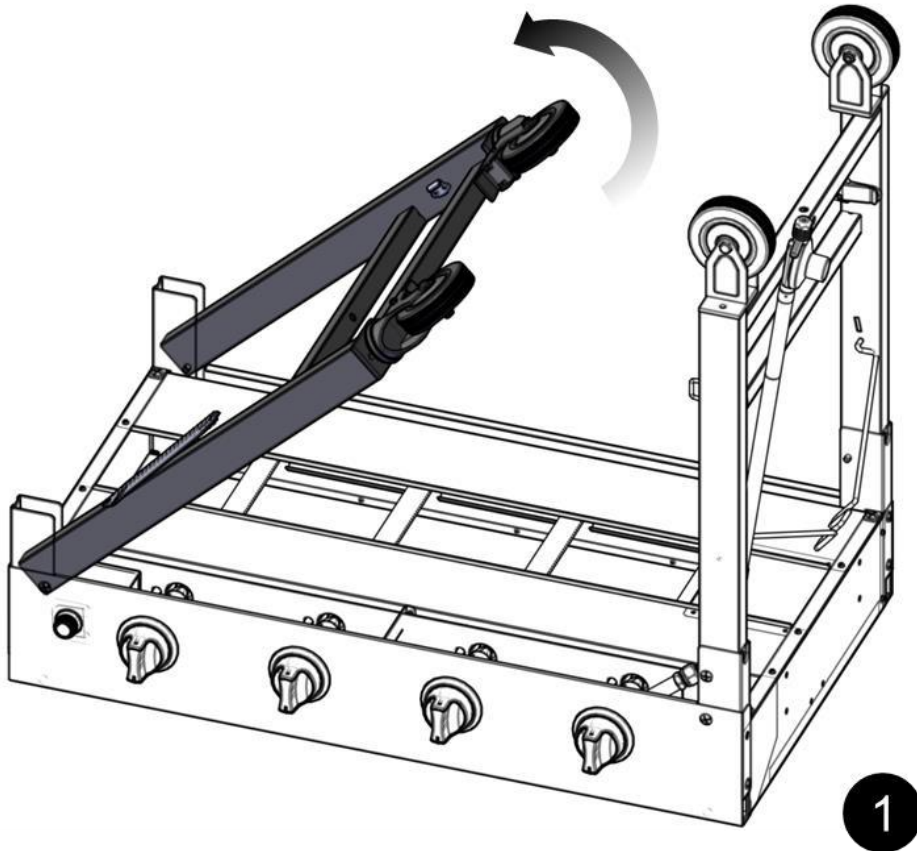
1

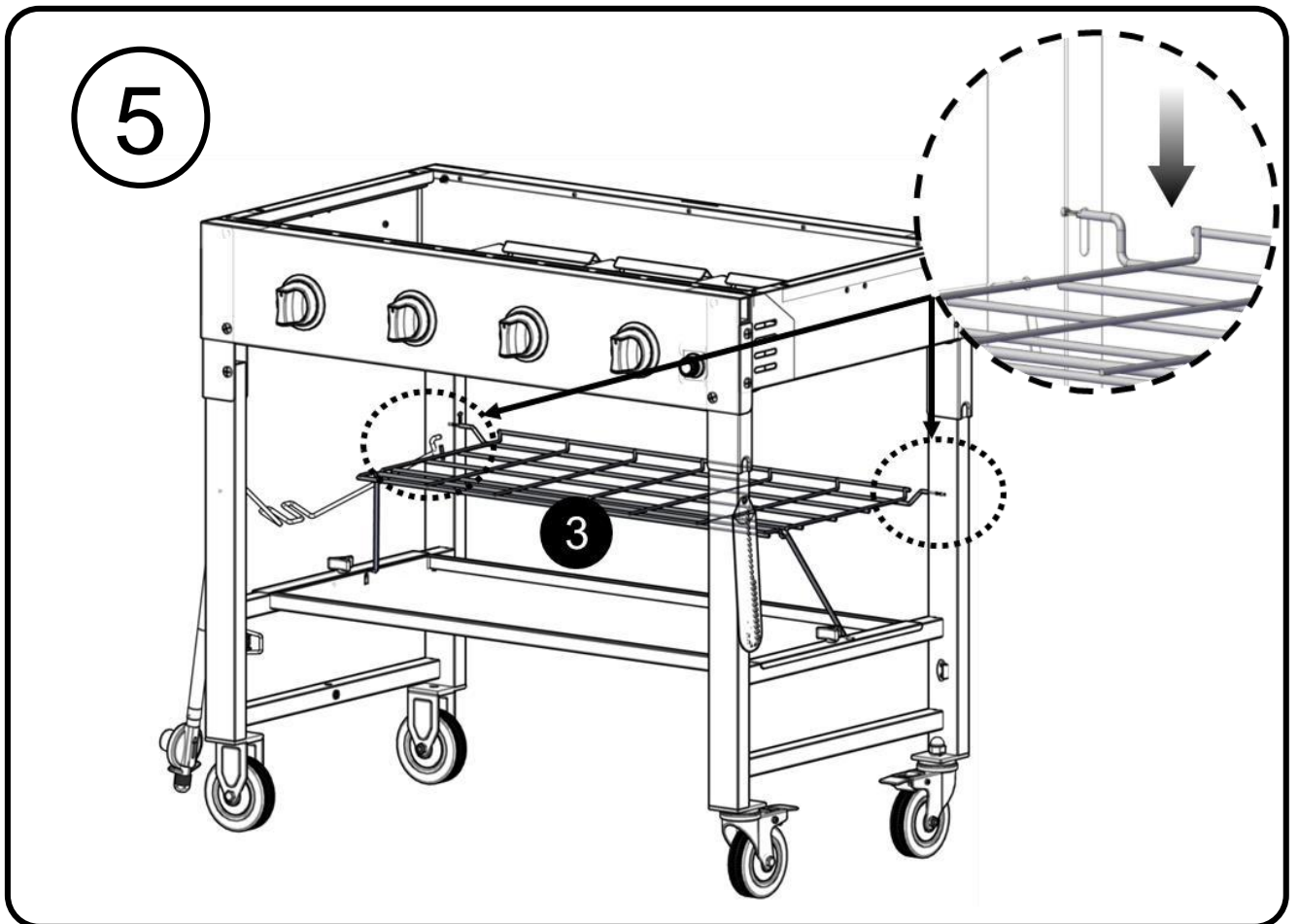
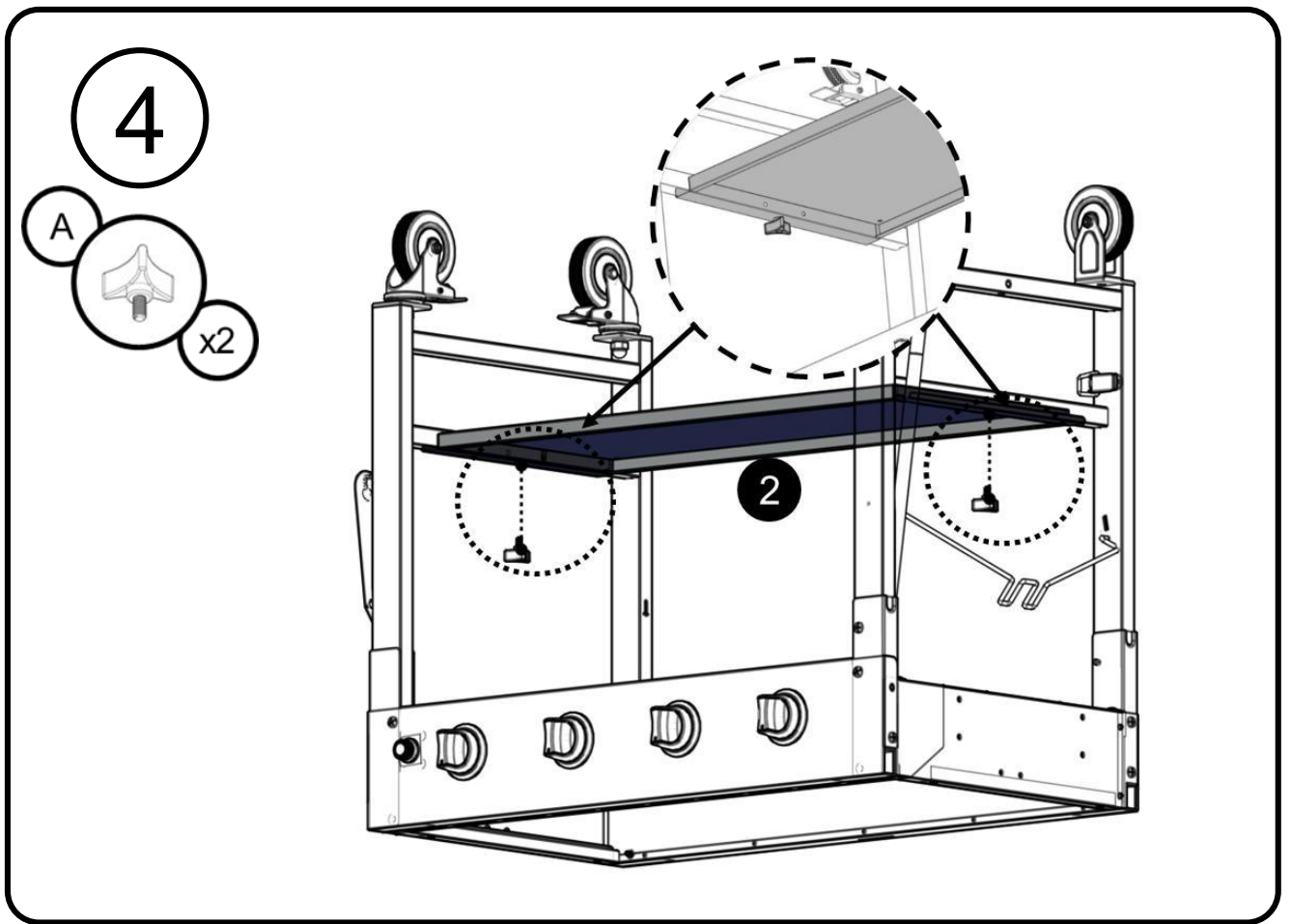


2

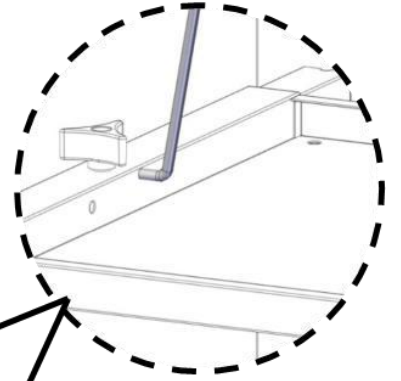
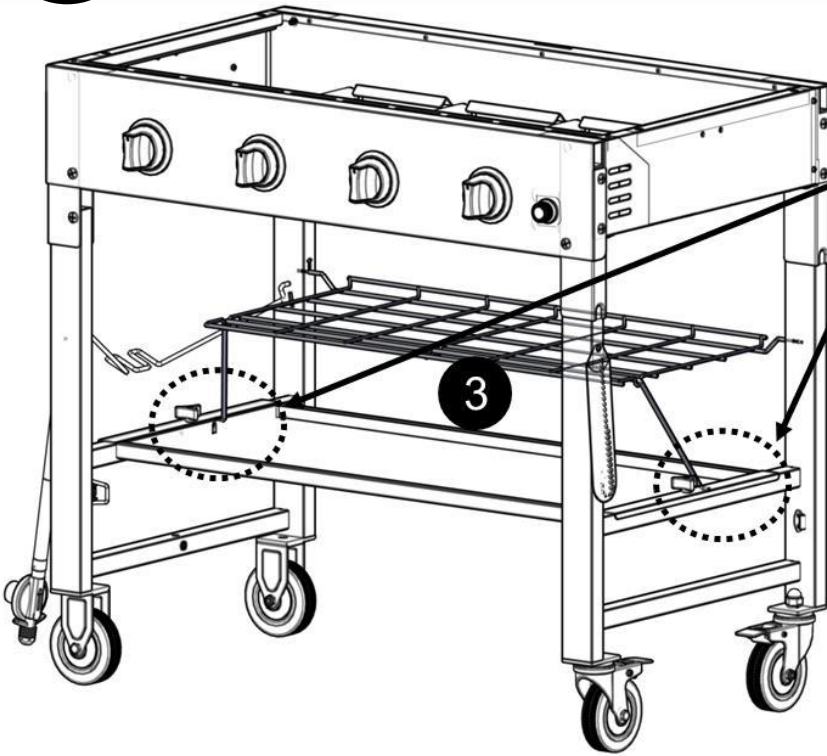


3



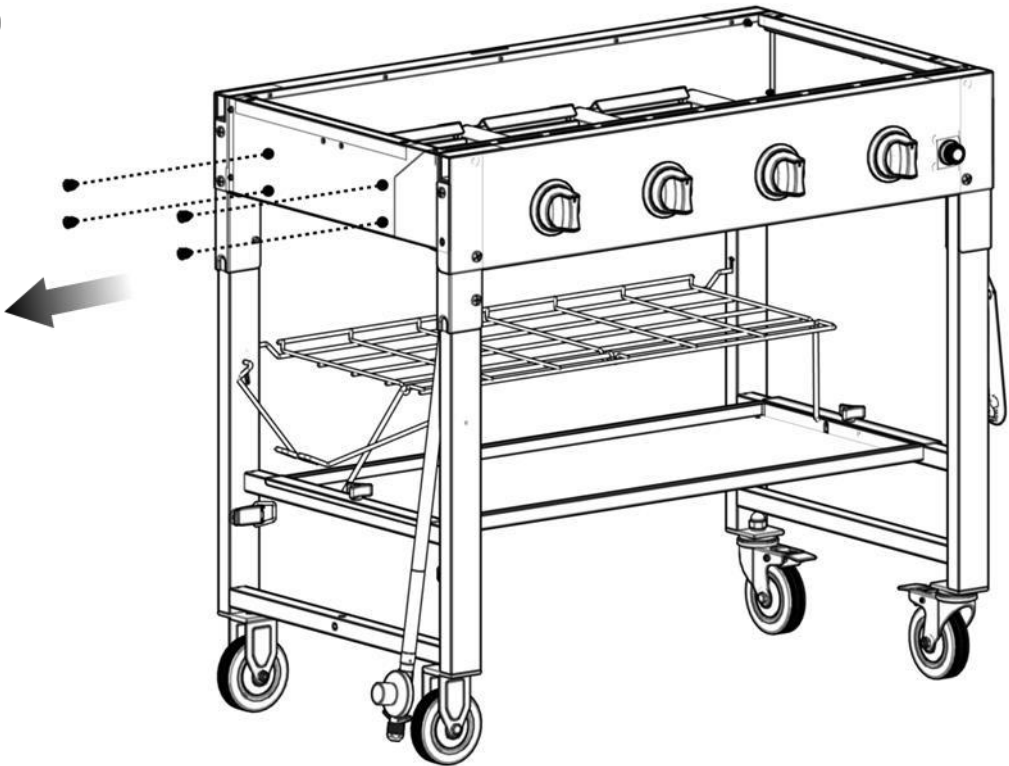


6

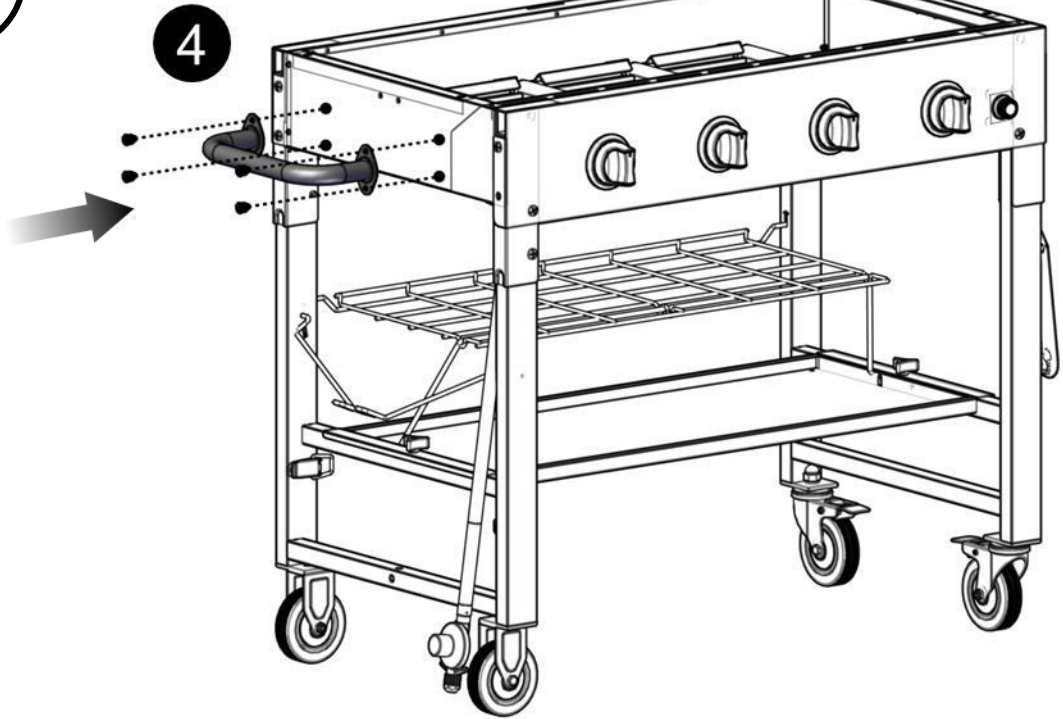


3

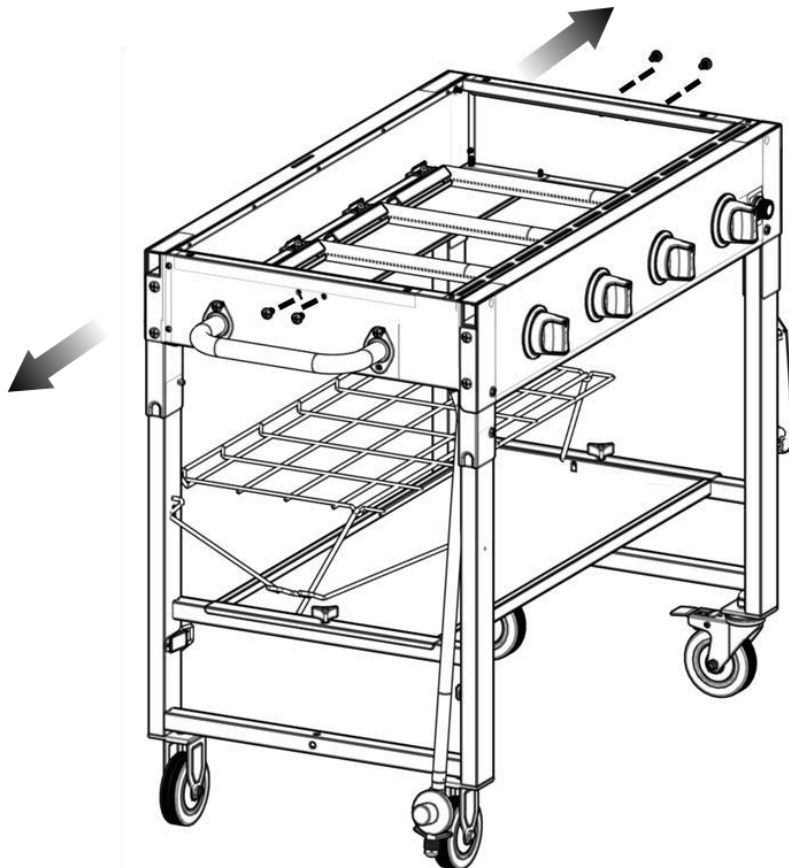
7



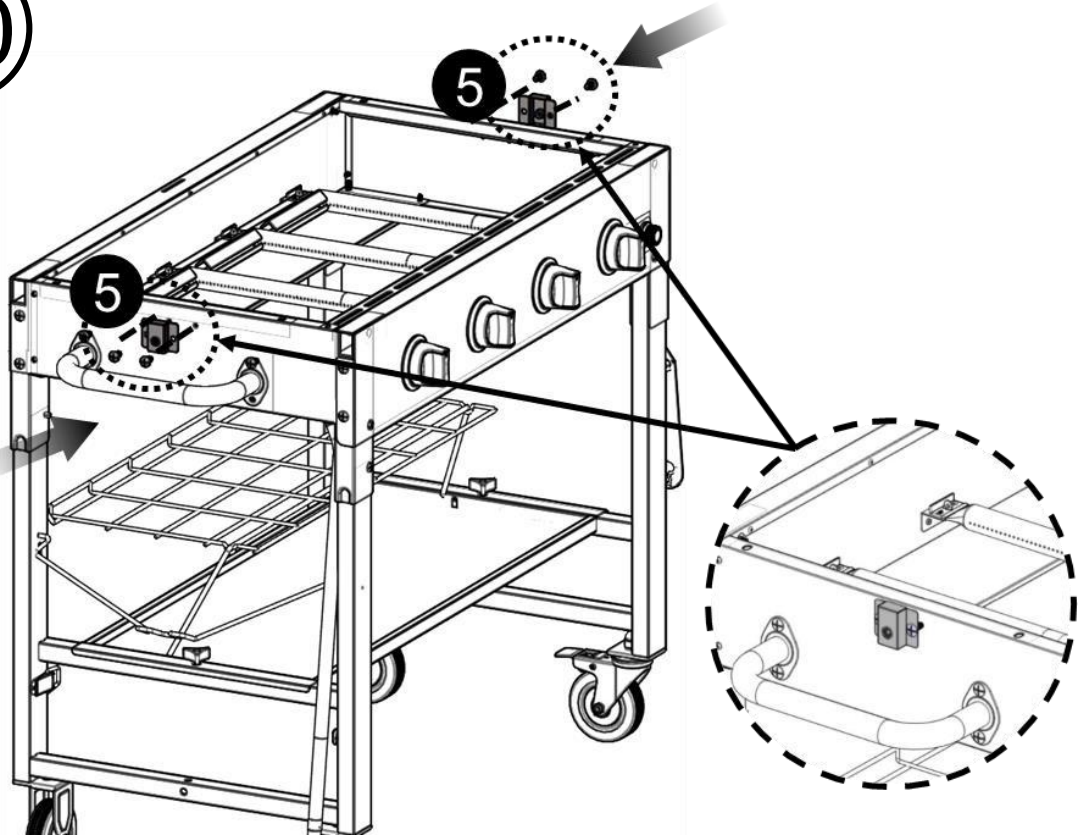
8



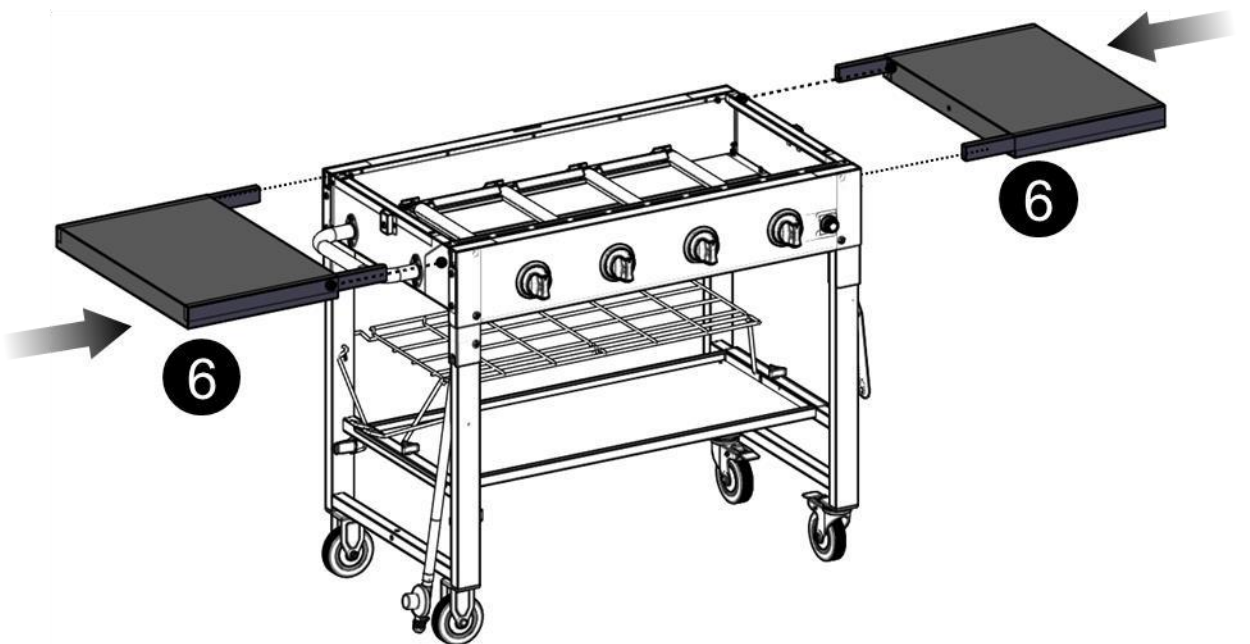
9



10

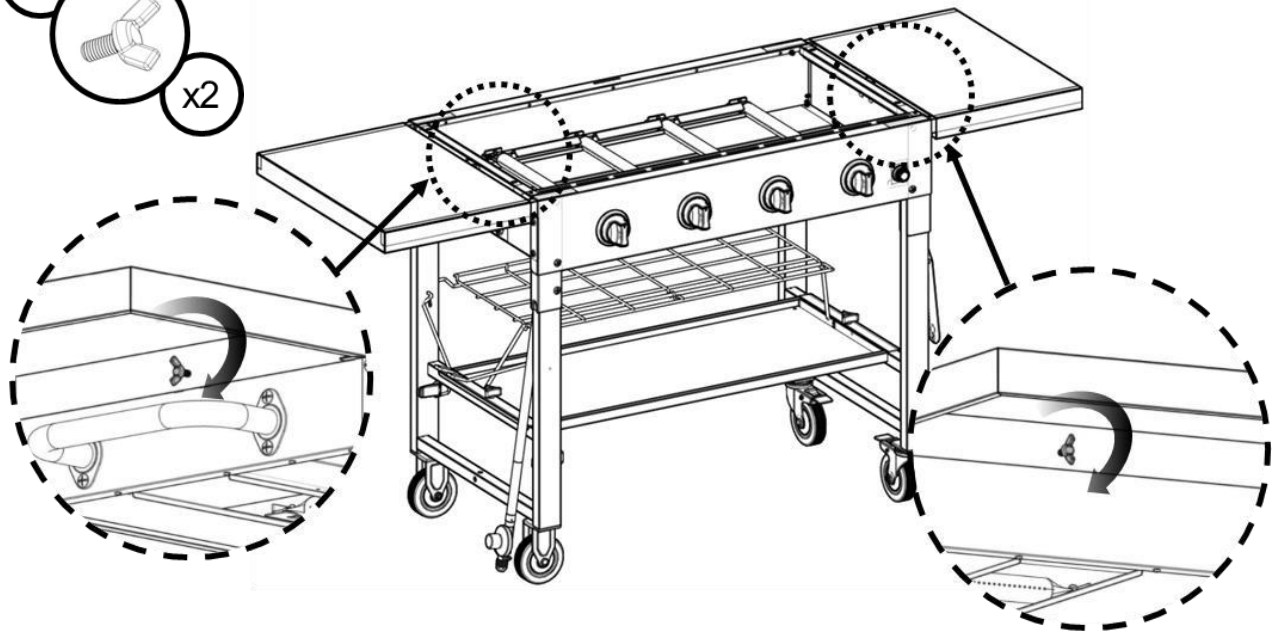


11



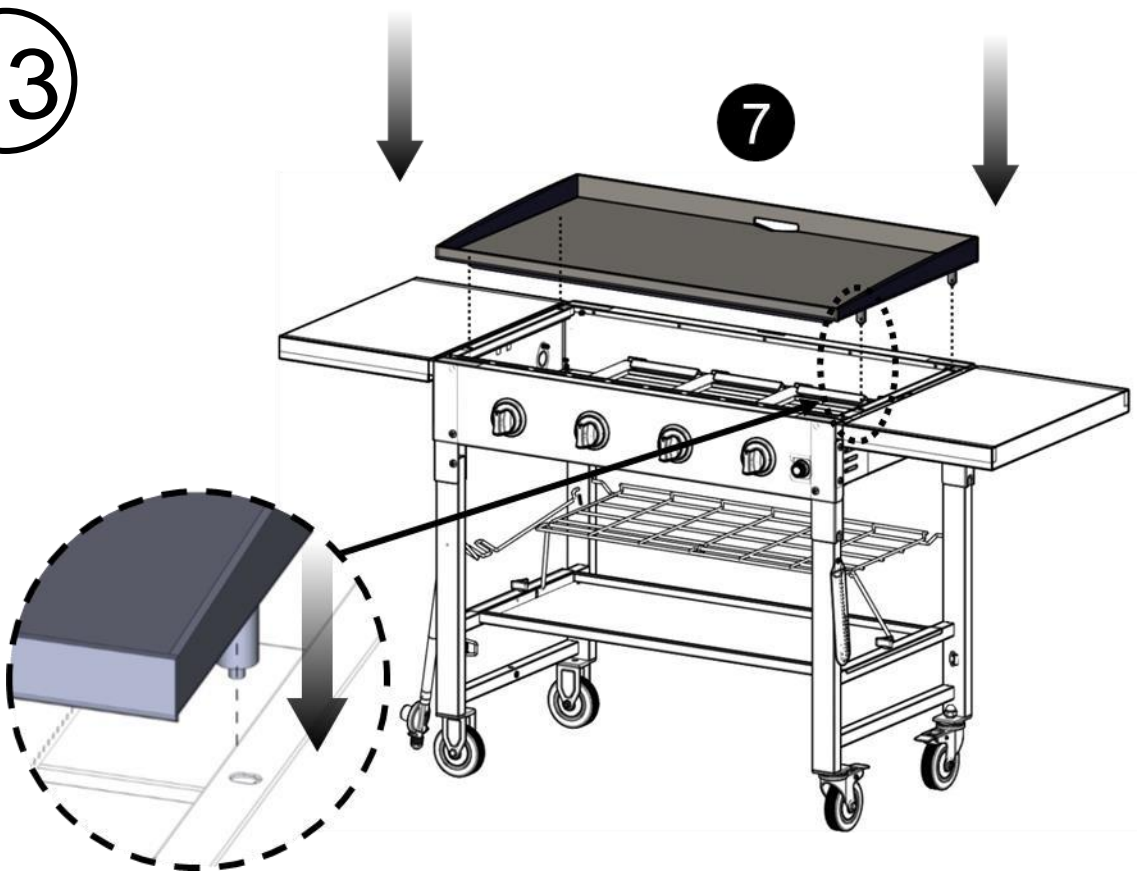
12

B
x2

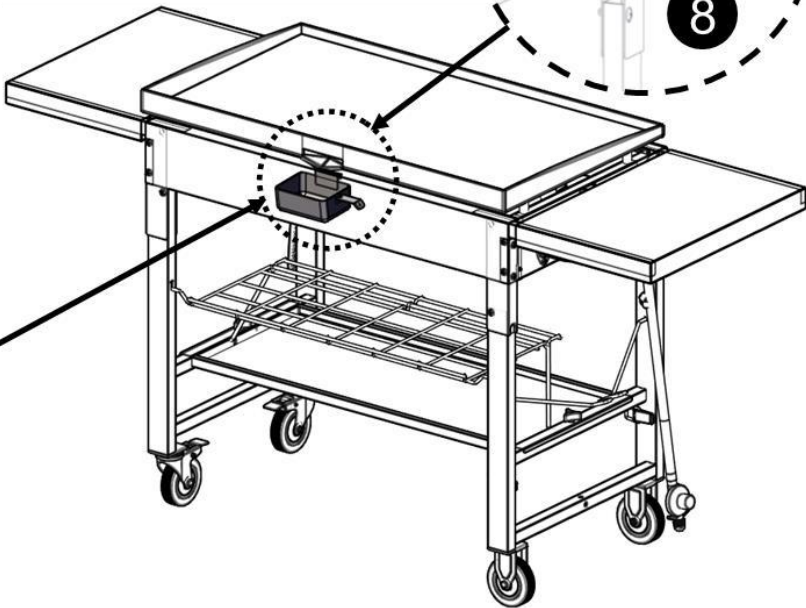
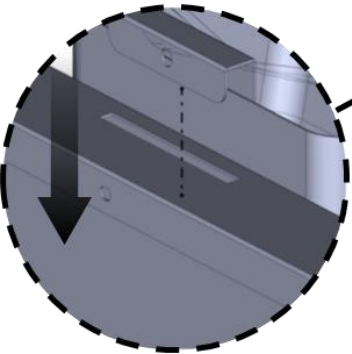
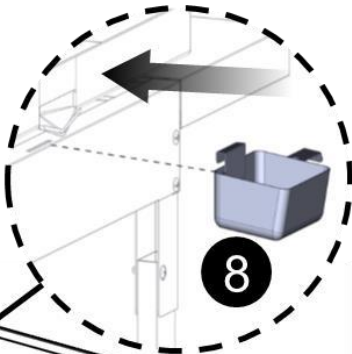


13

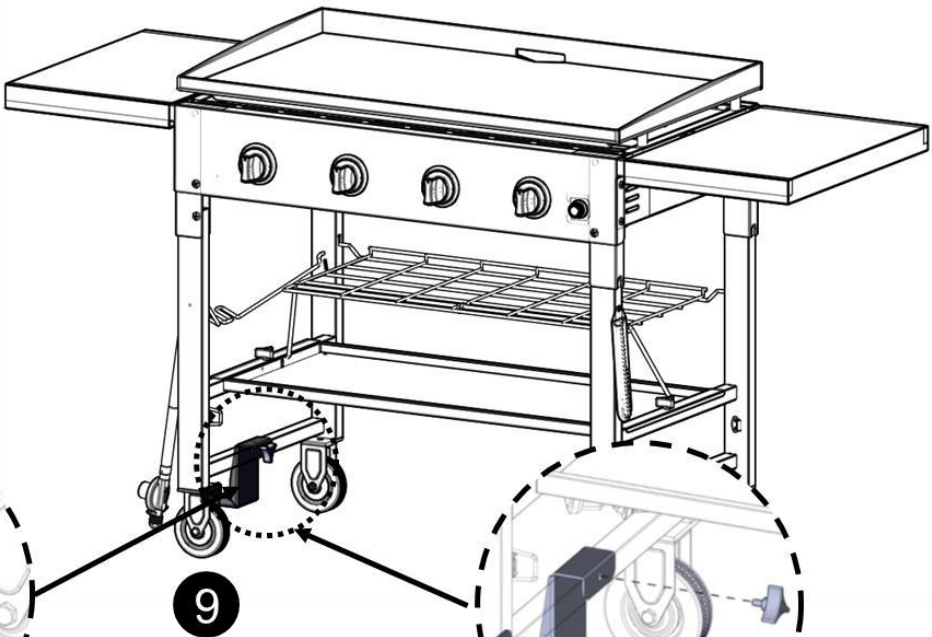
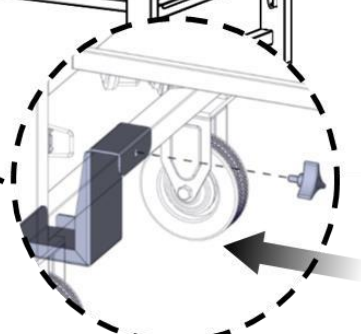
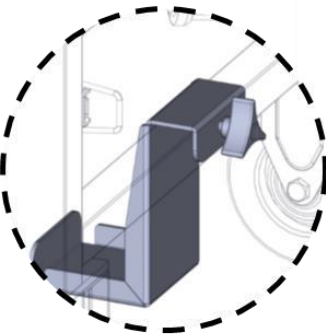
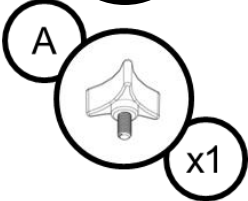
7



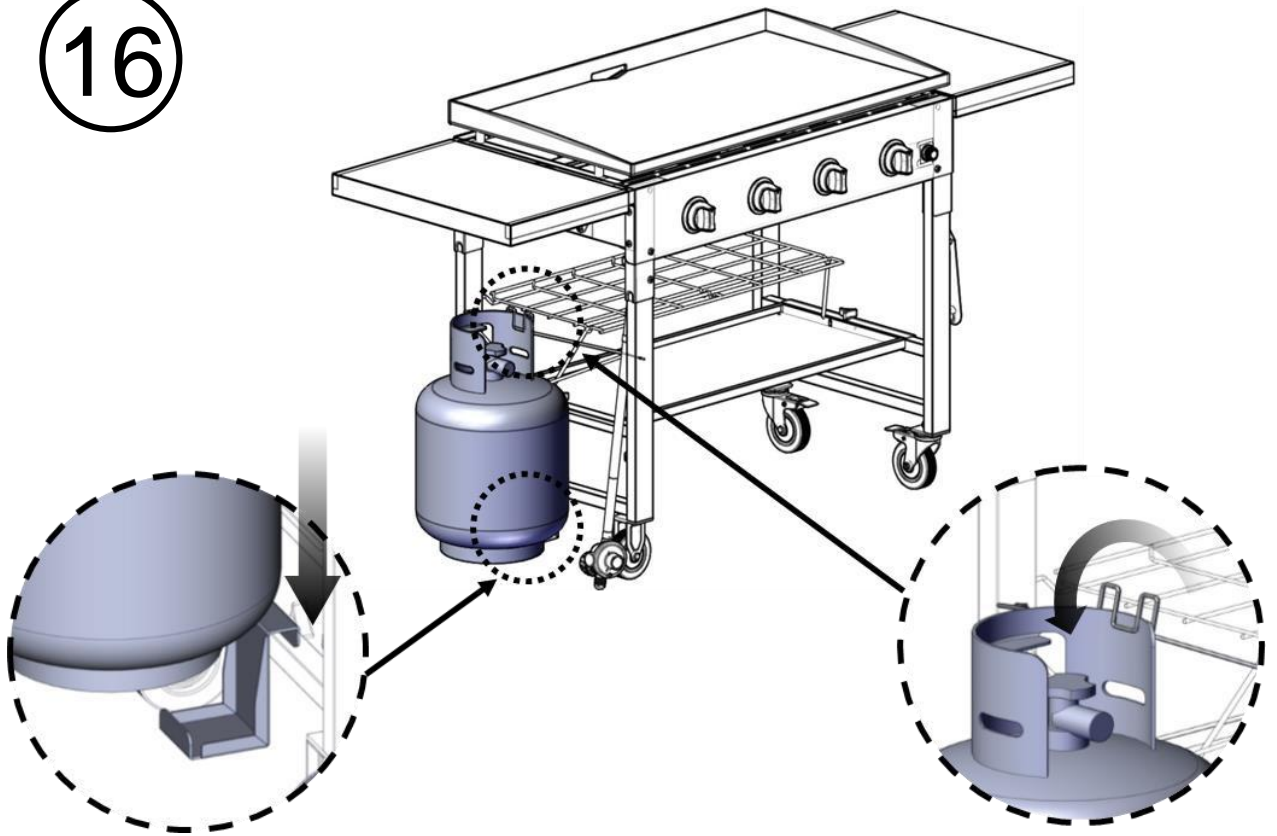
14



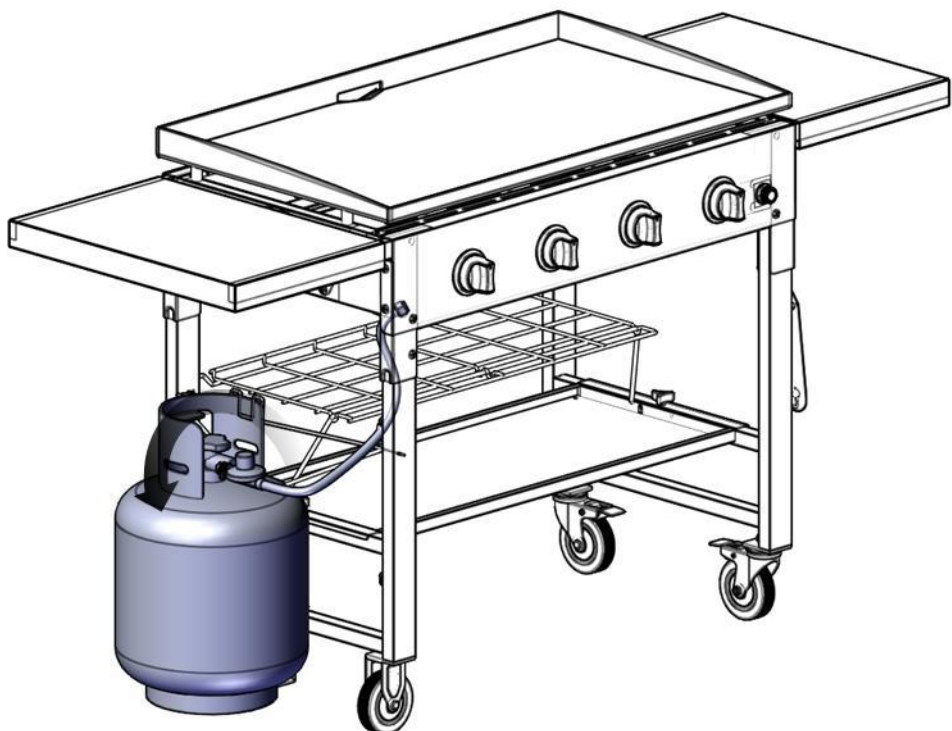
15

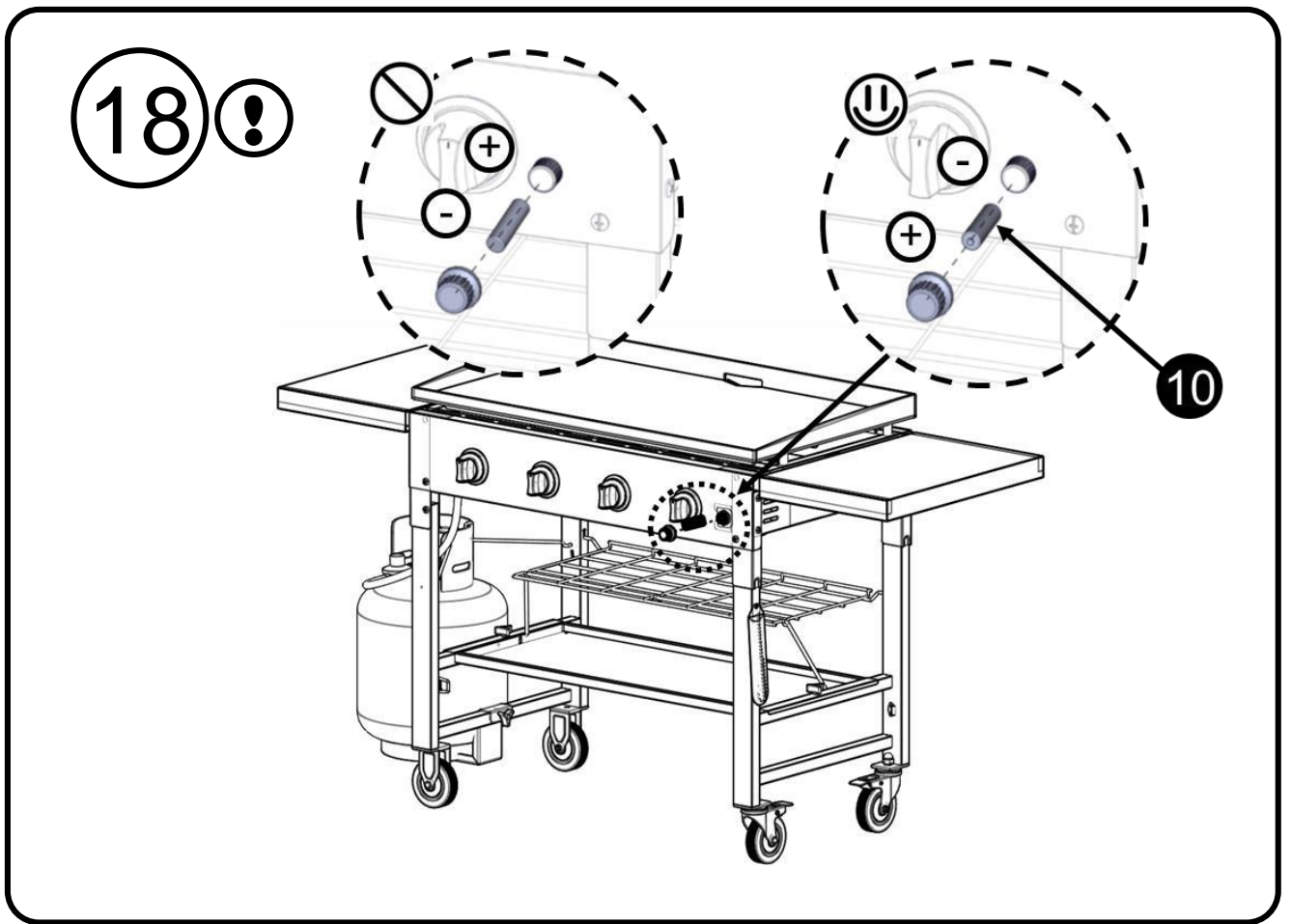


16



17





Important: Read the separate Operating Instruction Manual before use!

Contact your local Barbeque Galore store on 1800 978 555 for after sales support.

