

Consumer Guarantee

Our goods come with guarantees that cannot be excluded under the Australian Consumer Law. You are entitled to a replacement or refund for a major failure and for compensation for any other reasonably foreseeable loss or damage. You are also entitled to have the goods repaired or replaced if the goods fail to be of acceptable quality and the failure does not amount to a major failure.

Subject to the above paragraphs, all express or implied representations, conditions, statutory guarantees, warranties and provisions (whether based on statute, common law or otherwise), relating to this warranty, that are not contained in it, are excluded to the fullest extent permitted by law.

Nothing in this warranty excludes, restricts or modifies any condition, warranty, statutory guarantee, right or remedy, implied or imposed by common law, statute or regulation, which cannot be lawfully excluded, restricted or modified.

For Customer Reference (file in a safe place)

Purchased from _____

Date Purchased ____/____/____ Record Serial Number _____

N.B Satisfactory proof of purchase like your sales docket must be kept for any claim under this warranty to be enforceable.

Service Contact Point – Please contact your place of purchase for warranty repairs or service.

BRANCHES AUSTRALIA WIDE

Call 1300 139 867 for customer care

Find us online at www.barbequesgalore.com.au

Barbeques Galore Limited,
Building A2, Campus Business Park,
350-374 Parramatta Road,
Homebush, NSW 2140,
AUSTRALIA

Keep a note of the installer's details and installation date here:



GRAND TURBO

Dear Customer,

Congratulations! You are now the proud owner of a Ziegler & Brown Grand Turbo barbeque range hood. This unit conforms to our highest quality standards to provide years of trouble free service. So go ahead and enjoy the great new experience of cooking in a cleaner and reduced smoke environment. Give your outdoor room a fresh makeover. This range hood comes with a warranty against any kind of manufacturing defect.

Please read this instruction manual carefully and install and operate only as specified in this manual.

General Information

Our range hoods have undergone extensive quality checks by our expert and trained personnel before leaving the factory. If any defects or problems with this range hood are encountered, please contact your store of purchase for assistance.

This range hood is designed to be fixed vertically to a wall directly above a gas barbeque. Installation clearances as detailed below must be observed.

Instruction Manual

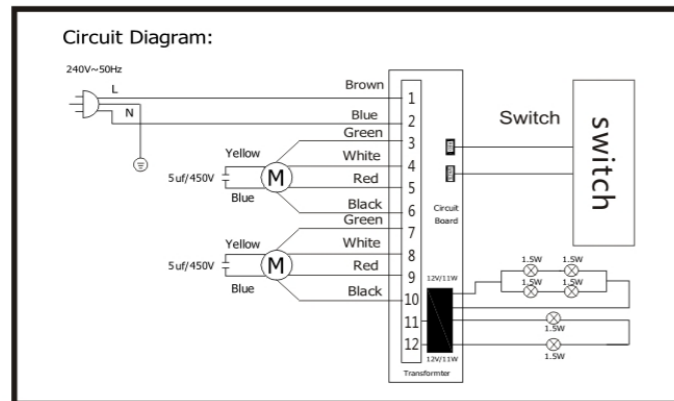
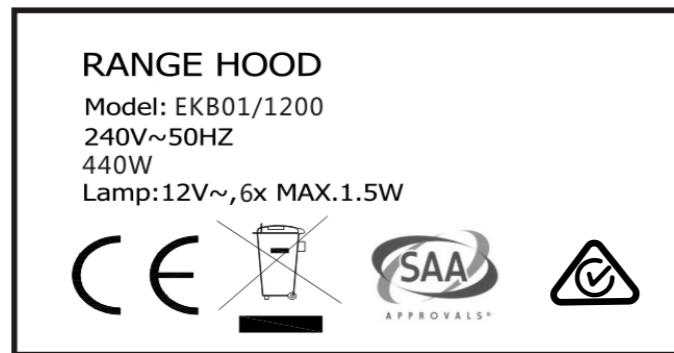
for

Barbeque Range Hood

With Remote Control

(ZGGTHOODM)

**Please read the manual completely and carefully before any installation or operation of the appliance.
Failure to install correctly and properly follow these operating instructions can lead to severe personal injury and / or property damage!**



Features

- This range hood is primarily made using high quality, grade 304 stainless steel.
- Equipped with two strong motors and balanced impellers, it produces a strong and even draw at low noise levels.
- The high efficiency grade 304 stainless steel filters are easy to remove and clean. Simply put through the dishwasher or hand wash with regular dishwashing detergent.
- LED lights.
- The isolated low voltage (12V AC) circuit board output ensures safety of the lights and control circuits.
- The special “wind tunnel” construction draws out oily fumes in seconds.
- 15 minute delayed shutdown option.

Product Contents

Please check that you have all the parts before proceeding.

- Range Hood with 8 individual stainless steel filters.
- Two x 1.5m lengths of 150mm diameter flame retardant ducting.
- Two piece stainless steel telescopic duct cover.
- Four 8mm expansion bolts for mounting the range hood to a masonry wall.
- Two 6mm expansion bolts for mounting the duct cover to a masonry wall.
- Remote control with 1 x CR 2025 battery (remove plastic tab to engage the battery).

Separately Required

- Two wall outlets if exhausting through a wall.
- Two chimneys and two cowls if exhausting through a roof.
- Sealants for all ducting joints.
- Any supports required for your particular installation to support ducting.

WARRANTY AND CONSUMER GUARANTEE

Barbeques Galore Warranty is provided in addition to other rights and remedies as set out below under ‘Consumer Guarantees’.

Warranty Term

Subject to the conditions set out below, this product is warranted to the purchaser to be free from defects in workmanship and materials from the date of purchase for the terms specified below.

5 YEARS – Motors and motor casings

12 Months – All other parts

Warranty Conditions

1. Barbeques Galore warranty is non-transferable and is limited to the original purchaser.
2. Satisfactory proof of the purchase (as defined in the Competition and Consumer Act 2010 (CCA)) must be furnished at the time of notification of the defect for a claim under this warranty to be enforceable.
3. This warranty covers all parts found to be defective in workmanship and/or materials during the warranty period. Barbeques Galore total liability in respect of a claim by a consumer under the CCA for a minor problem (as defined in the CCA) with a product is limited, at our option, to providing the consumer with a refund, replacement product or repairing the product.
4. For major failures (as the term is defined in the CCA) you are entitled to a replacement or refund and for compensation for any other reasonably foreseeable loss or damage.
5. To implement this warranty, please return the product to the place of purchase or nominated service agent, otherwise a service call out fee will be charged and refunded if claim is warrantable.

Installation Conditions

1. All installations must conform to the applicable Gas, Electrical and Building standards as laid down by the local codes for state or region.

Warranty Exclusions

1. This warranty will be void and accordingly no claim of any nature will be enforceable if the product has not been assembled, installed or operated according to the instructions, or has been subject to abuse, improperly treated, neglected and/or if any repairs, maintenance or service has been done by an unauthorised person.
2. This warranty does not cover
 - rust due to improper care or lack of maintenance. Contact your place of purchase for care and maintenance instructions
 - commercial use
 - claims arising from damage caused by abrasive chemical cleaners, heat discoloration or fat fires
 - minor surface scratches and similar wear and tear from normal use

Supplier Part Code	SUPPLIER Description	Part qty per RANGE HOOD	GLG CODE	Qty Per Part Code
1	upper cover fastener	1	EKONH001	1
2	upper duct cover	1	EKONH002	1
3	lower cover fastener	1	EKONH003	1
4	lower duct cover	1	EKONH004	1
5	body	1	EKONH005	1
6	control panel	1	EKONH006M	1
7	panel assembly	1	EKONH007	1
8	Filter	8	EKONH008	1
9	LED light	6	EKONH009	1
10	ducting	2	EKONH010	1
11	air vent	2	EKONH011	1
12	gasket	2	EKONH012	1
13	locking recess	2	EKONH013	1
14	back panel	1	EKONH014	1
15	fan casing	2	EKONH015	1
16	PCB board	1	EKONH016	1
17	wire box	1	EKONH017	1
18	power cable	1	EKONH018	1
19	capacitor	1	EKONH019	1
20	fan safety cover	2	EKONH020	1
22	fan	2	EKONH022L/R	1
23	motor	2	EKONH023L/R	1
24	fan motor cap	2	EKONH024L/R	1
25	oil cup	2	EKONH025	1
26	remote control	1	EKONH026M	1

Symbols on the Data Label:

V – Volt W- Watt Hz – Hertz



CE Marking



Safety Check



Approval



Indicates product should not be disposed with other household wastes in order to prevent possible harm to the environment or human health, take this product for environmental safe recycling.

<p>WARNING</p> <p>KEEP OUT OF REACH OF CHILDREN</p> <p>Swallowing can lead to chemical burns, perforation of soft tissue, and death. Severe burns can occur within 2 hours of ingestion. Seek medical attention immediately.</p>	
--	--

To safely dispose of a used remote control CR2025 lithium button battery: Refer to <https://bicycle.com.au/drop-off/> to find a local drop off for used batteries.

Safety Warnings

- Ensure that the mains voltage corresponds to the voltage rating of this appliance.
- This appliance is for domestic use only and is not suitable for commercial purposes.
- It is dangerous to leave a lit barbeque unattended as overheated oils may catch fire.
- Do not flambé or encourage flare up or excessive flame. This range hood is designed to vent smoke. Any ingress of flame is extremely dangerous to both the appliance and the installation.
- Prior to cleaning or carrying out any maintenance work, disconnect the appliance from the main power supply.
- Ensure that there is adequate supply of airflow in the area where this appliance is installed.
- This appliance is intended to be used above a gas barbeque installed in a roofed “outdoor” area having no less than 50% permanent open wall space.
- Do not use above any gas barbeque not certified to AS/NZS 5263.1.7:2020
Check the barbeque data plate.
- Do not use above a solid fuel powered barbeque
- Faults if any should only be attended to by technically qualified staff.
- The appliance is not to be used by children or persons with reduced physical, sensory or mental capabilities, or lack of experience and knowledge, unless they have been given supervision or instruction.
- Unsupervised children are not to play with this appliance.
- The air must not be discharged into a flue that is used for exhausting fumes from appliances burning gas or other fuels.
- There is a fire risk if cleaning is not carried out in accordance with the instructions.
- If the supply cord is damaged, it must be replaced by the manufacturer of its service agent or a similarly qualified person in order to avoid a hazard.
- Any local regulations regarding exhaust air must be adhered to.

Installation

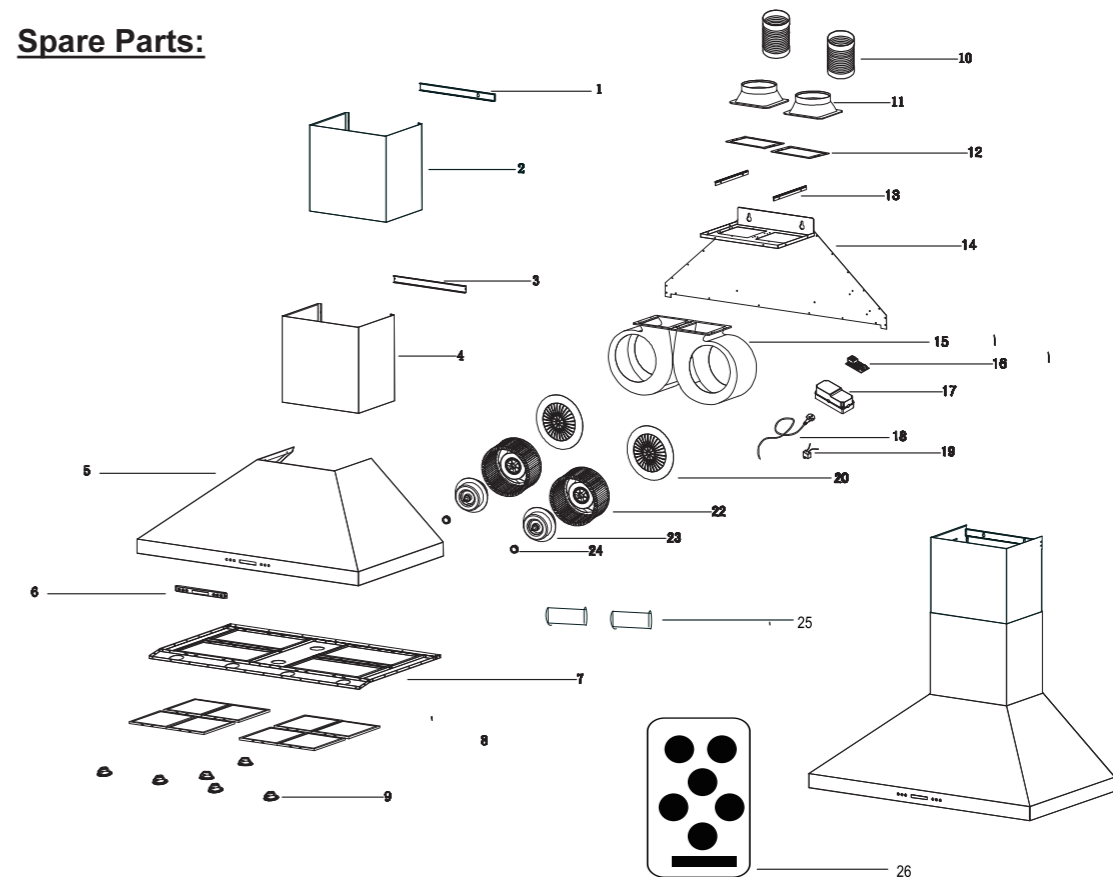
- When installed, the bottom of this range hood must be at a distance of no less than 1200mm above the cooking surface. If the particular barbeque installed requires more than 1200mm clearance, the larger value must be used. If local authorities require a larger clearance, than 1200mm, then the larger clearance must be used.
- The air must not be discharged into a flue that is used for exhausting fumes from appliances burning gas or other fuels.
- Both flues must be vented to open air. The rangehood will not function properly if the flues are merged into a single outlet.
- The installation work must be carried out by a qualified and competent technician. The manufacturer disclaims all liability for any damage or injury caused as a result of not following the instructions for installation and operation contained in this instruction manual.
- Flues should be installed to be as short as possible with minimum bends (ideally no bends at all). Longer flues and more bends significantly reduce the range hood effectiveness.
- For proper installation, the following sequence is necessary:
 - Fixing the wall support screws.
 - Fixing the range hood in place to the support screws.
 - Connecting to the power supply and testing.
 - Fitting the ducting.
 - Fitting the outlet and sealing.
 - Fitting the telescopic duct cover.
 - Fitting the oil cups.
 - Final testing and checking.

Follow the installation steps as detailed on the next pages carefully.

Trouble Shooting:

Fault	Possible Cause	Solution
Lights on, but motor doesn't work	Blocked impellor	Contact service agent
	Damaged capacitor	Contact service agent
	Jammed motor, or bearing damaged	Contact service agent
	Motor internal wiring burnt or a bad smell from the motor	Contact service agent
Light does not work, motor does not work	Light damaged	Replace light
	Power cord loose	Check the plug and cord to make sure it's well connected to power supply
Vibration of the body	Damaged blades causes shaking	Contact service agent
	The motor is loose	Contact service agent
	The hood is not properly fixed to the wall	Contact installer
Insufficient suction	Too much distance between the range hood and the barbeque.	Mount according to the installation instructions
	Too much breeze	Adjust any doors, windows, windbreaks if appropriate
	Flues unnecessarily long and / or too many bends	Reinstall the flue to be shorter with less bends
	Filters choked	Clean filter
Range hood is not level	Mounting bolts not tight enough	Check the mounting bolts and ensure they are fixed securely

Spare Parts:



REMOTE CONTROL:



1. Press button to turn on/off the range hood and activate the delayed shutdown.
2. Press to turn on/off the central two lights and four front lights at the same time.
3. The fan speed cycles between OFF-LOW-HIGH-BOOST-OFF with each press of the button.
4. The fan speed cycles between OFF-BOOST-HIGH-LOW-OFF with each press of the button.
5. To activate the 15 minute delayed shutdown. With the fans running, press the button. The fans will switch to LOW, the display will show 3.00 minutes, count down to zero, then switch off the fans. If you press again, the delayed shutdown can be adjusted between **1.00 to 15.00** minutes delayed shutdown as needed.
6. Press to skip straight to fan BOOST speed. Press again to stop fan running and the hood will be in STAND-BY mode.

Maintenance

Regular maintenance and cleaning will ensure best performance and extend the range hood working life.

Always remember to disconnect the appliance from the power supply before undertaking any cleaning.

Do not clean the appliance with strong abrasive liquids or acidic formulations. A damp cloth with a mild liquid household cleaner or detergent is recommended. While cleaning the hood never use a wet cloth or running water. Never use thinners or products containing alcohol or abrasive cleaning materials as they might damage the stainless steel surfaces.

Keep the motor and other parts free of water as this can damage the appliance.

Special attention should be paid to cleaning the filters regularly, more frequently after heavy use.

The filter mesh is made of grade 304 stainless steel, shaped to capture heavier particles and let finer particles pass through. Regular cleaning (once per barbecue) of the filter will keep the hood clean and enable it to run most efficiently.

The filters can be easily removed and cleaned in a dishwasher or by hand with a mild detergent or liquid soap.

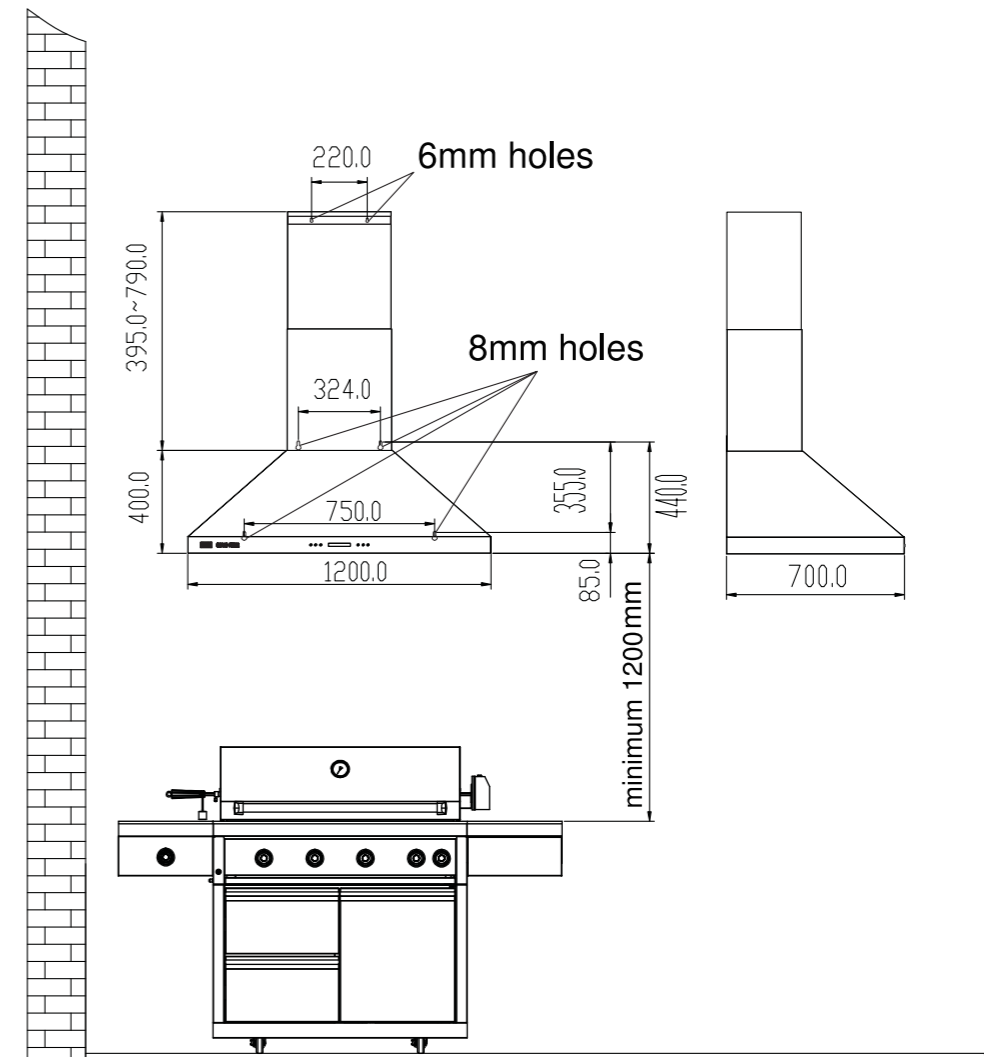
Put the filters in hot clean water, add detergent or liquid soap, allow to soak for 5 minutes, and clean with a soft brush.

The tungsten halogen lamps can be replaced by removing the lamp cover, pulling out and replacing the new lamp and replacing the lamp cover. The lamp specification is 12V AC, 20W.

Empty, clean and refit the oil cups to the underside of the fan casing as required.

1. Fixing the wall support screws:

- a) Use a spirit level and tape measure to calculate and mark the positions on the wall for the support screws so that the range hood will be level and the minimum required distance above the bbq cooking surface is met. It is always best to “measure twice, cut once”.



- b) Make sure that appropriate fixings are used for the type of wall being used to safely support the 30kg range hood. A factor of safety of 200% should be used in any weight calculations. The expansion bolts provided will not suit every wall material or situation. The expansion screws provided will suit masonry walls, use an 8mm masonry drill hole.
- c) Prepare the wall and fit the bolts leaving enough screw shaft exposed to hang the range hood into place by its keyholes.

2. Fixing the range hood:

- a) Remove all of the filters, and using a minimum of two people, hang the range hood onto the expansion bolts and make any necessary adjustments to ensure horizontal alignment.
- b) Tighten all expansion bolts, checking that they are all properly engaged onto the range hood through the neck of the keyholes.

3. Connecting to the power supply and testing:

- Ensure that the voltage of the power supply matches that of the appliance.
- The supply cord must be well fixed that it cannot contact any sharp edges or hot surfaces.
- Clean the area of all dust and waste matter to avoid it being sucked into the chimney before testing.
- Plug the appliance into the power supply socket.
- Check that the lights, motor and speed adjustments all work properly. Disconnect from the power supply before proceeding.

4. Fitting the ducting:

- The range hood must be ducted to open air using two rigid or flexible fire retardant ducts of suitable length and matching outlet size. Two x 150mm lengths of fire retardant plastic ducting are included. The installer can provide alternate or extra ducting and need to provide sealing materials for the installation.
- The ducting tube should run parallel to the wall up to the ducting outlets and not be bent more than 90 degrees to ensure easy flow of extracted air. The length of each duct should not be more than 6m and no more than 2 bends each. Less length and less bends results in better air extraction.

5. Fitting the outlet and sealing:

- If the outlets are through a wall, two wall outlets should be used to secure the end of the ducts. Wall outlets are not supplied with this kit, but are readily available from most hardware stores.
- If the outlets are through a roof, two roof chimneys and two cowls should be used. These are not supplied with this kit, but are also available from your local Barbeques Galore store. Code MXSL1000SS2 is one piece of 1000mm suitable chimney. Code MXCRESS is one stainless steel hat and cowl.
- Roofs should be sealed using the appropriate method for the particular roof. Roof seals are not supplied with this kit, but are available from your local Barbeques Galore store, part code DEKTITEPHM is a single Dektite™ flashing to suit metal roof, part code DEKTITET is a single Dektite™ flashing to suit a tile roof. Two flashings will be required, one for each chimney.
- Ducts should be sealed at all joints using an appropriate durable sealing tape.

6. Fitting the telescopic duct cover:

- Place the two part telescopic duct cover onto the range hood.
- Adjust to desired length and fasten into place using the two 6mm screws provided in the bolt pack for masonry walls.

7. Fitting the clear plastic oil cups to the bottom of each motor.

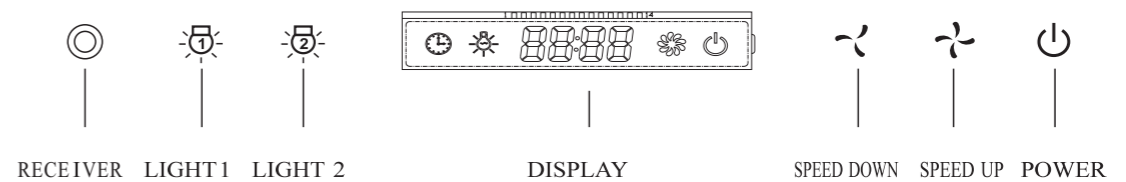
Fit one oil cup to the bottom of each fan casing. These need to be periodically emptied and cleaned.

8. Final testing and checking:

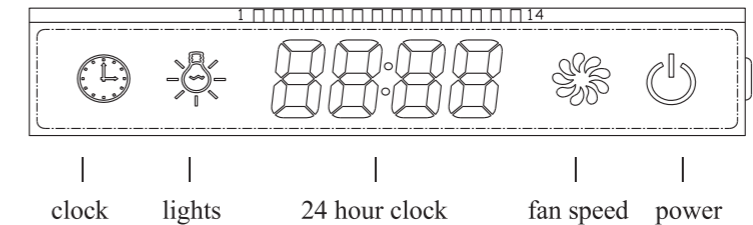
Check that all bolts are properly tightened, fit the filters and recheck all range hood functions. Leave this copy of instructions with the user and instruct them to observe all safety warnings.

Operation and Controls

CONTROL PANEL:



DISPLAY PANEL:



OPERATION:

- To set to STAND-BY mode:** Each time the range hood is reconnected to the power supply, the control panel will beep once. The clock will reset and show **12:00** and start running. The range hood will be in **STAND-BY** mode without lights or motors running. The control panel will be backlit for one second and off automatically.
- To Set the time:** While in **STAND-BY** mode, press **and HOLD in** the button for 3 seconds. The hour indicator will start to flash. Adjust the hour using the or buttons. Press the button once to change by one hour, or hold the button in for continuous adjustment.
Press the button again. The minute indicator will flash. Adjust the minutes using the or buttons. Press the button once to change by one minute, or hold the button in for continuous adjustment.
Note that if the button is not pressed for 10 seconds, the display will go back to **STAND-BY** mode.
- To Operate the range hood:** Press the button once to turn on the range hood. The display backlight will come on and the power icon will be displayed.
 - The fan speed cycles between OFF-LOW-HIGH-BOOST-OFF with each press of the button.
 - The fan speed cycles between OFF-BOOST-HIGH-LOW-OFF with each press of the button.
(Note that the fan icon will appear in the display whenever the fan is running. The fan icon will rotate to indicate the fan speed.)
 - The button turns the central two lights on and off. The button turns the four front lights on and off.
 - To activate the 15 minute delayed shutdown:** With the fans running, press the button. The fans will switch to LOW, the display will show 3.00 minutes, count down to zero, then switch off the fans. If you press or buttons within 5 seconds, the delayed shutdown can be adjusted from 1.00 to 15.00 minutes as needed. To cancel the delayed shut down, press the button.