

Fireplaces to suit every home



**BARBEQUES
GALORE**

Warm up to Winter Living

We've been transforming houses across the country into warm, comfy homes for over 35 years. So we understand that buying a wood heater can be a big decision.

Our heating experts are dedicated to helping you find the perfect heater to suit your needs. We have some of the cleanest burning models on the market — burning up to three times cleaner than the national standard for emissions — and all wood heaters come with a warranty of up to 15 years. Plus, our outstanding after-sales service makes sure you're never left in the cold.

Cleaner burning heaters are better for the environment

The national standard for emissions is 1.5g/kg. We're proud to share that our best wood heaters emit under 0.6g/kg.

Discover our cleaner heaters identified by the Burnwise Graph:



How to find the perfect heater for your home

Generally, wood heaters fall into two styles:

Freestanding

If you don't have an existing fireplace, a freestanding wood heater is ideal. It can create a cosy focal point for your living space, with very little structural work involved in the installation.

Built-In

Insert

If you do have an existing fireplace, it's easy to upgrade with our range of insert heaters.

Zero Clearance

If you don't have an existing fireplace, a Zero Clearance heater can be inserted into any blank wall with minimal structural impact.

Whether your choice is led by design or performance, there are several important factors to consider when choosing your wood heater:

Coverage	The size of the area the heater will warm
Heat Output	The amount of heat generated
Burn Time	How long the heater will take to burn one load of logs on low
Efficiency	How effectively the heater burns the wood
Emissions	The volume of waste emitted from the heater
Maximum Log Size	The largest log size that will fit in the heater
Construction	The thickness of the firebox
Firebox Size	The larger the firebox, the greater the coverage
Fan	The fan helps circulate heat

For more detailed specifications and installation information for each of our wood heaters, see pages 13-15.





Modern Mainstream

Simple in design,
suits any décor.

Model Shown: Austwood Thredbo
See page 5

What's your style?

Do you like that functional modern look, or prefer a touch of yesteryear charm?

Maybe you love clean minimalist lines or find homely and traditional is more your thing.

We have wood heaters in all styles and sizes, so have a look through and find your favourite.



Rustic Charm

Hints of country
chic styling for a
cosy cottage feel.

Model Shown:
Maxiheat Prime 150
See page 10



Sleek Design

Sleek European
style to compliment
modern interiors.

Model Shown:
Norseman Nevada
See page 7

WOOD HEATING

Saxon

The range of Saxon heaters is an evolution of the traditional style wood heater. This efficient and environmentally friendly range burns up to three times cleaner than the national standard for emissions.

On the inside, the Hi-Tech Refractory baffle pushes the heat back into the fire for a cleaner, more efficient burn.

The time-delay fan starts 20 minutes after the heater door is closed, ensuring only hot air is being amplified into the room.

Built tough to last, the ceramic glass door is self-cleaning and the 8mm steel firebox eliminates the need for firebricks and comes with a **15 year firebox warranty**.



Blackwood with Wood Storage

SXBW22WSMB

875H x 691W x 566D

Coverage	up to 300m²	Max Log Size	410mm
Peak Heat Output	15.5kW	Construction	8mm
Burn Time	Up to 8hrs	Fire Box Size	0.08m³
Baffle	25mm thick Hi-Tech Refractory	Fan	3 speed time delay

BurnWise

An initiative of the Australian Home Heating Association

EFFICIENCY	This model	67%
	Australian Standard	>60%
PARTICLE EMISSIONS	This model	0.5 g/kg
	Australian Standard	<1.5g/kg

Merbau

SXMER22MB

800H x 626W x 516D

– Perfect for smaller spaces

Coverage	Up to 250m²	Max Log Size	380mm	Baffle	25mm thick Hi-Tech Refractory
Peak Heat Output	10.4kW	Construction	8mm thick steel	Fan	3 speed time delay
Burn Time	Up to 7hrs	Fire Box Size	0.07m³		

BurnWise		
An initiative of the Australian Home Heating Association		
EFFICIENCY	This model	61%
	Australian Standard	>60%
PARTICLE EMISSIONS	This model	1.0g/kg
	Australian Standard	<1.5g/kg



Blackwood

SXBW22MB

875H x 691W x 566D

– Heats a large family home with ease

Coverage	Up to 300m²	Max Log Size	410mm	Baffle	25mm thick Hi-Tech Refractory
Peak Heat Output	15.5kW	Construction	8mm thick steel	Fan	3 speed time delay
Burn Time	Up to 8hrs	Fire Box Size	0.08m³		

BurnWise		
An initiative of the Australian Home Heating Association		
EFFICIENCY	This model	67%
	Australian Standard	>60%
PARTICLE EMISSIONS	This model	0.5 g/kg
	Australian Standard	<1.5g/kg



Mahogany

SXMH22MB

920H x 766W x 616D

– Ideal for large space

Coverage	Up to 350m²	Max Log Size	460mm	Baffle	25mm thick Hi-Tech Refractory
Peak Heat Output	19.6kW	Construction	8mm thick steel	Fan	3 speed time delay
Burn Time	Up to 10hrs	Fire Box Size	0.1m³		

BurnWise		
An initiative of the Australian Home Heating Association		
EFFICIENCY	This model	63%
	Australian Standard	>60%
PARTICLE EMISSIONS	This model	1.1g/kg
	Australian Standard	<1.5g/kg



Blackwood Insert

SXBWIN22MB

Fascia: 930W x 708H x 470D

Cabinet: 635W x 605H x 470D

Zero Clearance Box: 817H x 838W x 578D

The perfect heater for medium sized spaces

Coverage	Up to 280m²	Max Log Size	410mm	Baffle	25mm thick Hi-Tech Refractory
Peak Heat Output	14.7kW	Construction	8mm thick steel	Fan	3 speed time delay
Burn Time	Up to 7.5hrs	Fire Box Size	0.08m³		

BurnWise		
An initiative of the Australian Home Heating Association		
EFFICIENCY	This model	62%
	Australian Standard	>60%
PARTICLE EMISSIONS	This model	0.5g/kg
	Australian Standard	<1.5g/kg



WOOD HEATING

AustWood

Austwood

Modern and sleek in design, the Austwood is sure to become the centrepiece in any home.

Includes a wide viewing glass to enjoy the fire from any position in the room, 3 speed fan and **10 year firebox warranty.**

MADE IN AUSTRALIA



Thredbo

AWTHR23MB

840H X 660W X 560D

– Perfect for medium sized spaces

Coverage	Up to 300m²	Max Log Size	370mm
Peak Heat Output	12.3kW	Construction	6mm
Burn Time	Up to 8.5hrs	Fire Box Size	0.07m³
Baffle	25mm thick Hi-Tech	Fan	3 speed factory fitted

BurnWise

An initiative of the Australian Home Heating Association

EFFICIENCY

This model	75%
Australian Standard	>60%

PARTICLE EMISSIONS

This model	0.6g/kg
Australian Standard	<1.5g/kg

Hotham

AWHOTH23MB

770H X 600W X 510D
 – Perfect for smaller spaces

Coverage	Up to 200m²	Max Log Size	320mm	Baffle	25mm thick Hi-Tech Refractory
Peak Heat Output	12kW	Construction	6mm	Fan	3 speed factory fitted
Burn Time	Up to 7hrs	Fire Box Size	0.04m³		

BurnWise		An initiative of the Australian Home Heating Association	
EFFICIENCY	This model	69%	Australian Standard >60%
PARTICLE EMISSIONS	This model	0.7 g/kg	Australian Standard <1.5g/kg



Perisher

AWPER23MB

910H X 760W X 560D
 – Heats a large family home with ease

Coverage	Up to 320m²	Max Log Size	370mm	Baffle	25mm thick Hi-Tech Refractory
Peak Heat Output	16.6kW	Construction	6mm	Fan	3 speed factory fitted
Burn Time	Up to 9.5hrs	Fire Box Size	0.1m³		

BurnWise		An initiative of the Australian Home Heating Association	
EFFICIENCY	This model	64%	Australian Standard >60%
PARTICLE EMISSIONS	This model	0.7 g/kg	Australian Standard <1.5g/kg



Pictured: Hotham AWHOTH23MB

Norseman

Offering a wide variety of styles, the Norseman range has been designed to fit comfortably into any decor, traditional or contemporary.

Come instore and we can help you find the right style for your home, with every model backed by a **10 year firebox warranty.**



Aura MKII on Wood Stacker

GHaura25MBWS

Heater 910H x 981W x 496D
 Bench model 1180W
 - 10 year firebox warranty
 - revolutionary Schott Night Flame (TM) Glass

Coverage	Up to 300m²	Max Log Size	330-700mm
Peak Heat Output	14.1kW	Construction	5mm
Burn Time	9hrs+	Fire Box Size	0.07m³
Baffle	25mm thick Hi-Tech Refractory	Fan	Twin barrel 3 speed fans

BurnWise An initiative of the Australian Home Heating Association

EFFICIENCY	This model	65%
	Australian Standard	>60%
PARTICLE EMISSIONS	This model	0.7 g/kg
	Australian Standard	<1.5g/kg



Forester

GHF16MB

785H x 560W x 525D

– Perfect for smaller spaces

Coverage	Up to 180m²	Max Log Size	370mm	Baffle	6mm thick steel
Peak Heat Output	13.3kW	Construction	6mm		
Burn Time	Up to 7.5hrs	Fire Box Size	0.06m³		

BurnWise <small>An initiative of the Australian Home Heating Association</small>		
EFFICIENCY	This model	69%
	Australian Standard	>60%
PARTICLE EMISSIONS	This model	1.2 g/kg
	Australian Standard	<1.5g/kg



Nevada MKII

GHN19MB

790H x 677W x 532D

– Ideal for small to medium spaces

Coverage	Up to 200m²	Max Log Size	320mm	Baffle	8mm thick steel
Peak Heat Output	10.9kW	Construction	6mm	Fan	3 speed factory fitted
Burn Time	Up to 8hrs	Fire Box Size	0.06m³		

BurnWise <small>An initiative of the Australian Home Heating Association</small>		
EFFICIENCY	This model	72%
	Australian Standard	>60%
PARTICLE EMISSIONS	This model	1.0 g/kg
	Australian Standard	<1.5g/kg



Legend MKII

GHLE19MB

840H x 737W x 582D

– Perfect for large spaces

Coverage	Up to 300m²	Max Log Size	370mm	Baffle	8mm thick steel
Peak Heat Output	17.3kW	Construction	6mm	Fan	3 speed factory fitted
Burn Time	Up to 8.5hrs	Fire Box Size	0.08m³		

BurnWise <small>An initiative of the Australian Home Heating Association</small>		
EFFICIENCY	This model	76%
	Australian Standard	>60%
PARTICLE EMISSIONS	This model	0.7g/kg
	Australian Standard	<1.5g/kg



Aura Insert

GHAURAIN17MB

Fascia 591H x 1021W

Cabinet 651H x 1071W x 550D

– 10 year firebox warranty

– Lined with Hi-Tech Refractory for optimum efficiency

Coverage	Up to 280m²	Max Log Size	300-700mm	Baffle	25mm thick Hi-Tech Refractory
Peak Heat Output	17.3kW	Construction	5mm	Fan	2x single barrel 3 speed fans
Burn Time	Up to 8hrs	Fire Box Size	0.06m³		

BurnWise <small>An initiative of the Australian Home Heating Association</small>		
EFFICIENCY	This model	60%
	Australian Standard	>60%
PARTICLE EMISSIONS	This model	0.7 g/kg
	Australian Standard	<1.5g/kg



WOOD HEATING

Maxiheat

Add warmth to your home with our value range of Maxiheat wood heaters.

This quality range includes both freestanding and insert models.

Add a focal point to your living space with our Prime 150 with its rustic charm or update an existing fire place with the traditional look of the Nomad insert.



Nomad Insert

MXNOIN19MB

FASCIA: 675H x 815W mm
 CABINET: 599H x 645W x 449D mm
 Zero Clearance Box: 817H x 838W x 578D
 Zero Clearance compatible
 – 10 year firebox warranty

Coverage	up to 280m²	Construction	6mm
Peak Heat Output	13kW	Fire Box Size	0.1m³
Burn Time	Up to 7hrs	Max Log Size	370mm
Baffle	8mm steel	Fan	3 speed factory fitted

BurnWise An initiative of the Australian Home Heating Association

EFFICIENCY	This model	66%
	Australian Standard	>60%
PARTICLE EMISSIONS	This model	0.95 g/kg
	Australian Standard	<1.5g/kg

Gen II

MXGEN2MBKITL/P

653H x 628W x 478D
 - Customise with either a leg (as pictured) or pedestal base

Coverage	Up to 200m²	Max Log Size	270mm	Baffle	6mm thick steel
Peak Heat Output	11.4kW	Construction	6mm	Fan	3 speed
Burn Time	Up to 8hrs	Fire Box Size	0.04m³		

BurnWise <small>An initiative of the Australian Home Heating Association</small>		
EFFICIENCY	This model	63%
	Australian Standard	>60%
PARTICLE EMISSIONS	This model	1.0g/kg
	Australian Standard	<1.5g/kg



Prime 150

MXPRM150

649H x 548D x 595W mm
 – Radiant heater
 – 5 year firebox warranty

Coverage	Up to 150m²	Max Log Size	370mm	Baffle	8mm thick steel
Peak Heat Output	16.5kW	Construction	6mm		
Burn Time	Up to 6hrs	Fire Box Size	0.06m³		

BurnWise <small>An initiative of the Australian Home Heating Association</small>		
EFFICIENCY	This model	64%
	Australian Standard	>60%
PARTICLE EMISSIONS	This model	0.9 g/kg
	Australian Standard	<1.5g/kg



Prime 200C

MXPRM200C

720H x 587W x 495D mm
 – Convection heater
 – 10 year firebox warranty

Coverage	Up to 200m²	Max Log Size	370mm	Baffle	8mm steel
Peak Heat Output	11.0kW	Construction	5mm	Fan	3 speed factory fitted
Burn Time	Up to 7hrs	Fire Box Size	0.06m³		

BurnWise <small>An initiative of the Australian Home Heating Association</small>		
EFFICIENCY	This model	68%
	Australian Standard	>60%
PARTICLE EMISSIONS	This model	0.9 g/kg
	Australian Standard	<1.5g/kg



Geo

GEO18MB

722H x 960W x 496D
 – Landscape heater
 – 10 year firebox warranty

Coverage	Up to 250m²	Max Log Size	295mm	Baffle	25mm thick Hi-Tech Refractory
Peak Heat Output	14.3kW	Construction	5mm		
Burn Time	Up to 7hrs	Fire Box Size	0.06m³		

BurnWise <small>An initiative of the Australian Home Heating Association</small>		
EFFICIENCY	This model	63%
	Australian Standard	>60%
PARTICLE EMISSIONS	This model	0.5g/kg
	Australian Standard	<1.5g/kg



Modena

MXMOD20MB

1102H x 608W x 449D
 – Radiant heater
 – 10 year firebox warranty

Coverage	Up to 180m²	Max Log Size	295mm	Baffle	25mm thick Hi-Tech Refractory
Peak Heat Output	10.3kW	Construction	5mm		
Burn Time	Up to 6hrs	Fire Box Size	0.06m³		

BurnWise <small>An initiative of the Australian Home Heating Association</small>		
EFFICIENCY	This model	73%
	Australian Standard	>60%
PARTICLE EMISSIONS	This model	1.1g/kg
	Australian Standard	<1.5g/kg



WOOD HEATING

cleanair
WOOD HEATERS

Clean Air

Clean Air heaters offer a state-of-the-art firebox design to give you an extremely long burn time for those cold winter nights. The exclusive heat exchange activation tubes run directly through the firebox, to extract more heat from the fire.

These heat exchange tubes are unique to Clean Air and not found on any other wood heater. This is just one reason why Clean Air is one of the most advanced wood heaters in Australia.



Medium Insert

CAISM19MB

Coverage	Up to 280m²	Max Log Size	390mm	Baffle	25mm Hi-tech refractory baffle
Peak Heat Output	12.5kW	Construction	6mm	Fan	3 speed remote controlled fan
Burn Time	Up to 9hrs	Fire Box Size	0.07m³		

BurnWise <small>An initiative of the Australian Home Heating Association</small>		
EFFICIENCY	This model	66%
	Australian Standard	>60%
PARTICLE EMISSIONS	This model	1.0g/kg
	Australian Standard	<0.8g/kg



Medium Console

CACM19MB

865H x 759W x 615D mm

Coverage	Up to 300m²	Max Log Size	380mm	Baffle	25mm thick Hi-Tech Refractory baffle
Peak Heat Output	14.2kW	Construction	6mm steel firebox with refractory lining	Fan	3 speed remote controlled fan
Burn Time	Up to 10hrs	Fire Box Size	0.07m³		

BurnWise <small>An initiative of the Australian Home Heating Association</small>		
EFFICIENCY	This model	70%
	Australian Standard	>60%
PARTICLE EMISSIONS	This model	0.85g/kg
	Australian Standard	<1.5g/kg



Large Console

CACL19MB

915H x 859W x 700D mm

Coverage	Up to 350m²	Max Log Size	420mm	Baffle	25mm thick Hi-Tech Refractory baffle
Peak Heat Output	19.2kW	Construction	6mm steel firebox with refractory lining	Fan	3 speed remote controlled fan
Burn Time	Up to 12hrs	Fire Box Size	0.1m³		

BurnWise <small>An initiative of the Australian Home Heating Association</small>		
EFFICIENCY	This model	70%
	Australian Standard	>60%
PARTICLE EMISSIONS	This model	0.85g/kg
	Australian Standard	<1.5g/kg



* All Clean Air heaters come in a high temperature Metallic Black finish



Pictured: CACM19MB

PELLET HEATING

Cadel

Developed and manufactured in Italy, the award winning Hublot Pellet Heater delivered warmth and coziness of real flame heating all with the ease of push button control.

Operated with Wifi control from your phone or with an easy to use control panel, the Hublot is the stylish alternative to traditional wood heaters.

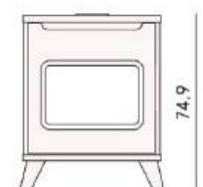
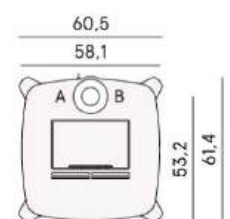


Hublot

HUBLLOT

749H x 605W x 614D (mm)

Colour/Finish	Black	Controls	Wifi
Peak Heat Output	6kW	Burn time	Up to 12hrs
Coverage	150m³	Fuel type	Pellet



FLUE KITS

Insulated Flue

Introducing the Maxiheat Fully Insulated Flue Kit. Fully insulated from the heater to the cowl, it delivers a smarter flue solution engineered for performance. The high-quality insulation significantly reduces heat loss compared to traditional flue kits, improving the overall efficiency of any wood heater installation.

Featuring a twist-lock assembly system, ease of installation is also front of mind. A fully insulated ceiling ring further minimises heat loss, helping to keep more warm air within the room.

With these features, the Maxiheat Flue Kit delivers confidence, compliance, and efficiency in one streamlined package.

Adjustable length Flues



45° bend



Cowl



Adaptor



Brand	Model	Flue Configuration	Rear Wall Clearance	Side Wall Clearance	Corner Clearance
SAXON	Merbau	Maxiheat Insulated Flue Kit With Flue Shield (MXFKRS3MBWS)	150	300	50
	Blackwood (Pedestal and Wood Storage)	Maxiheat Insulated Flue Kit With Flue Shield (MXFKRS3MBWS)	100	300	50
	Mahogany	Maxiheat Insulated Flue Kit With Flue Shield (MXFKRS3MBWS)	125	400	50
AUSTWOOD	Hotham	Maxiheat Insulated Flue Kit With Flue Shield (MXFKRS3MBWS)	150	300	100
	Thredbo	Maxiheat Insulated Flue Kit (MXFKRS3MB)	150	350	125
	Perisher	Maxiheat Insulated Flue Kit With Flue Shield (MXFKRS3MBWS)	220	400	175
NORSEMAN	Forester	Maxiheat Insulated Flue Kit With Flue Shield (MXFKRS3MBWS)	250	800	525
	Nevada MKII	Maxiheat Insulated Flue Kit (MXFKRS3MB)	200	325	100
	Legend MKII	Maxiheat Insulated Flue Kit With Flue Shield (MXFKRS3MBWS)	200	325	100
	Aura MKII	Maxiheat Insulated Flue Kit With Flue Shield (MXFKRS3MBWS)	300	400	100
MAXIHEAT	Gen II	Maxiheat Insulated Flue Kit With Flue Shield (MXFKRS3MBWS)	130	350	55
	Modena	Maxiheat Insulated Flue Kit (MXFKRS3MB)	250	425	275
	Geo	Maxiheat Insulated Flue Kit With Flue Shield (MXFKRS3MBWS)	250	350	150
	Prime 200C	Maxiheat Insulated Flue Kit (MXFKRS3MB)	150	500	125
	Prime 150	Maxiheat Insulated Flue Kit With Flue Shield (MXFKRS3MBWS)	420	640	400
CLEAN AIR	Medium Console	Maxiheat Insulated Flue Kit With Flue Shield (MXFKRS3MBWS)	150	550	200
	Large Console	Maxiheat Insulated Flue Kit With Flue Shield (MXFKRS3MBWS)	250	650	200

Accessories

Childguards

Standard freestanding childguard bars (Shown)

Standard 110W x 110D x 80H cm
 Large 125W x 125D x 80H cm
 Available in bars or mesh

Also available:

Corner childguard

79W x 75D x 80H cm
 Available in bars or mesh

Insert childguard

125W x 30D x 80H cm
 Available in mesh



Hearths



Tiled Hearth

MXTH1BLK2/GRY
 1 x 1m | 1.2 x 1.2 x 0.02m
 Available in Gloss Black & Matt Grey



Tiled Insert Hearth

MXTHINSBLK/GRY
 1.2 x 0.6 x 0.056m
 Available in Gloss Black, Matt Grey



Tiled Corner Hearth

MXTHCNBLK2/GRY
 1.2 x 1.2 x 0.02m
 Available in Gloss Black & Matt Grey



Tiled Square Hearth

MXTHSQ12BLK/GRY
 1.2 x 1.2 x .04m
 Available in Gloss Black, Matt Grey



Full Slab Hearth With Chamfered Edge

MXFSH12DBLK
 1.2 x 1.2 x 0.02m
 Available in Gloss Black composite stone

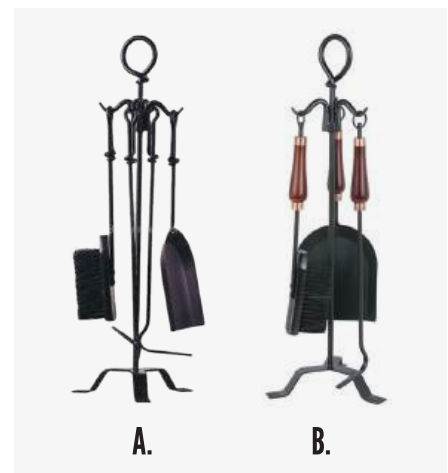


Tool Sets and Fire Rug



Wool Fire Rug

MXFIRERUG



A. 4 Piece Loop Toolset

MXFTS4PL

B. 4 Piece Toolset With Wood Handles

MXFTS4PW

Cleaning and Accessories



Fire Brush Cleaning Kit With Extensions
BSWPP06

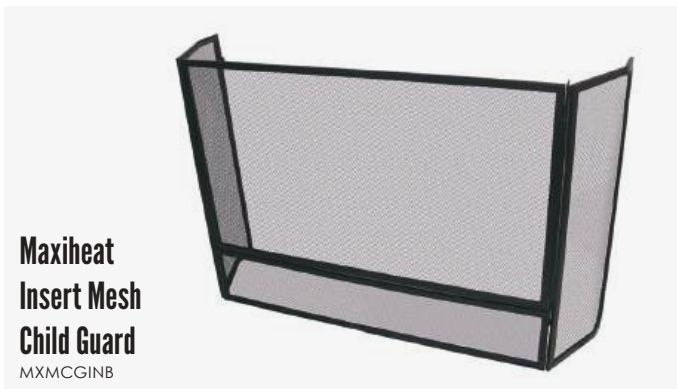


Maxiheat Heatproof Leather Fire Gloves
MXFIREGLV

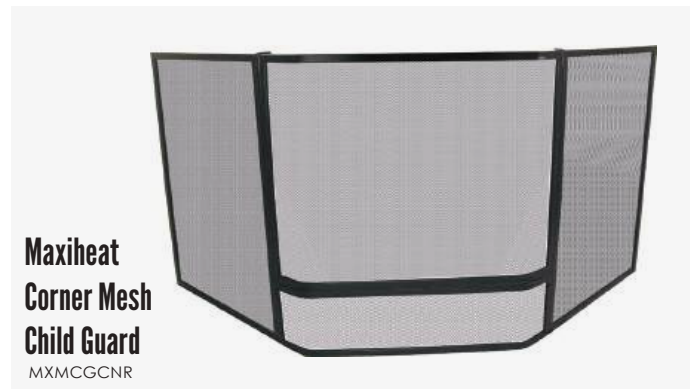


Maxiheat Radiant Fan
MXRADFAN

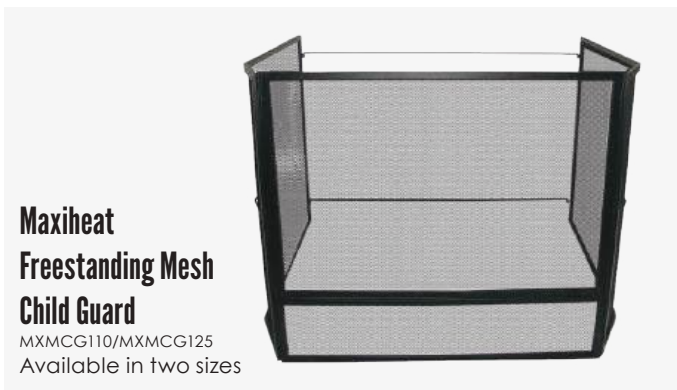
Child Guards & Firescreens



**Maxiheat
Insert Mesh
Child Guard**
MXMCGINB



**Maxiheat
Corner Mesh
Child Guard**
MXMCGCNR



**Maxiheat
Freestanding Mesh
Child Guard**
MXMCG110/MXMCG125
Available in two sizes

Installation

There are several important factors to consider when you're planning to install a wood heater:

- Heater installation dimensions
- Hearth clearances
- The position of the heater
- The installation of the flue system, and where the flue will exit the roof, as it must be sealed

It's important to use a qualified professional for installation as they can offer valuable advice and insights as well as identify any potential problems.

Always refer to instruction manual or website (www.barbequesgalore.com.au) for additional information, including minimal clearances and hearth specifications.



Model shown: Austwood Thredbo Insert

		CLEARANCES (mm)						
Brand	Model	Bottom of heater above the floor (mm)	Maxiheat Insert Hearth (MXTHINSGRY/BLK) or equivalent	Masonry (Brick) Hearth	Floor Protector	Rear of Fascia to flue centre	Top Clearance to Mantle from top of fascia	Side Clearance to Mantle from side of fascia
			600D x 1045w x 56H (mm)					
Saxon	Blackwood	0	✓			324	560	35
		110	✓	✓ (400D X 930WX 110H)				
		200	✓	✓ (400D X 930WX 110H)	✓ (550D X 930w X 56H)			
		300	✓	✓ (300D X 930WX 110H)	✓ (300D X 930W X 15H)			
Maxiheat	Nomad	0	✓			301	600	50
		110	✓	✓ (450D X 1045WX 110H)				
		200	✓	✓ (450D X 1045WX 110H)	✓ (500D X 1045W X 15H)			

Zero Clearance Heater

Maxiheat Zero Clearance Box

If you like the look of an insert fireplace but don't have an existing brick chimney, use the Maxiheat Zero Clearance box with any of our compatible insert heaters to achieve the same look.

No major structural work required!



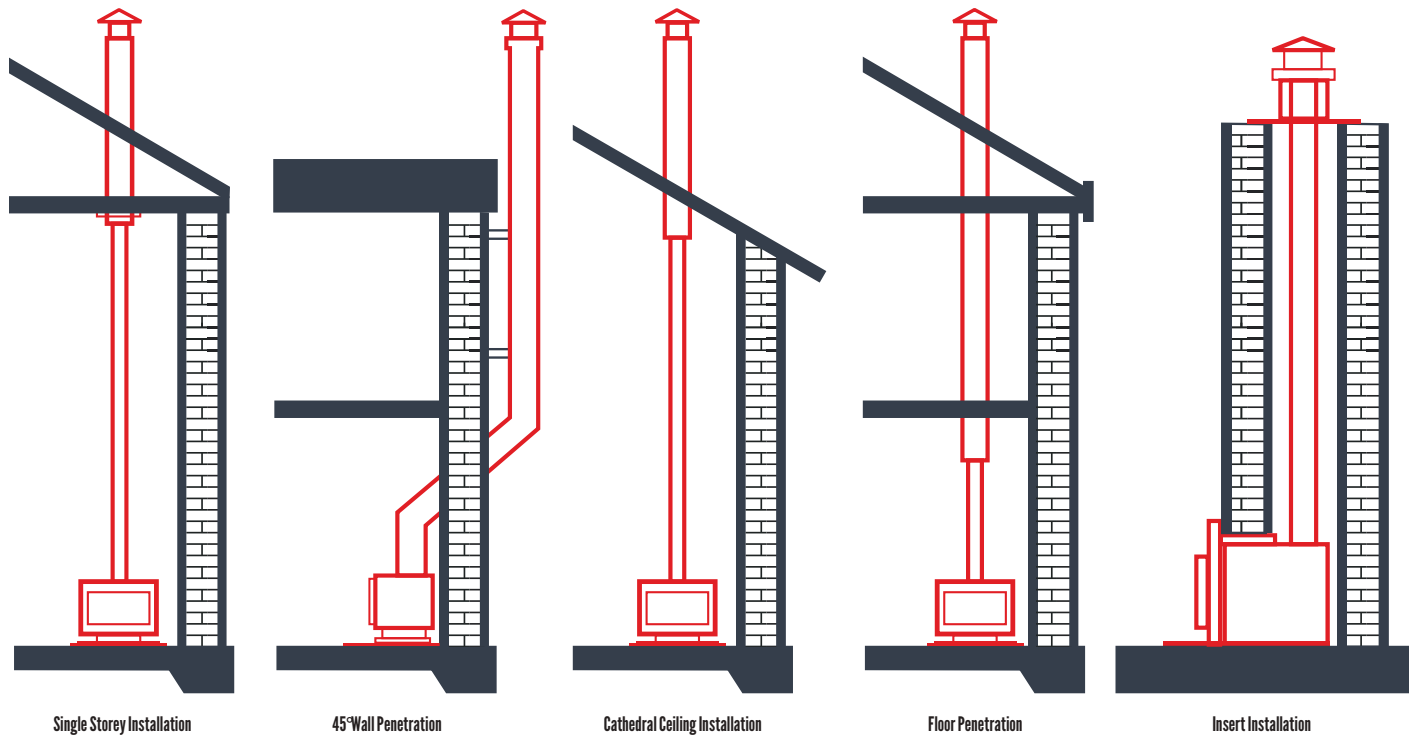
Air vents need openings of no less than 10,000mm² at the base and top of the zero clearance enclosure.



* Drawing is a guide only

Flue Installation

Below are the most common types of heater and flue installations.



Correct flue height

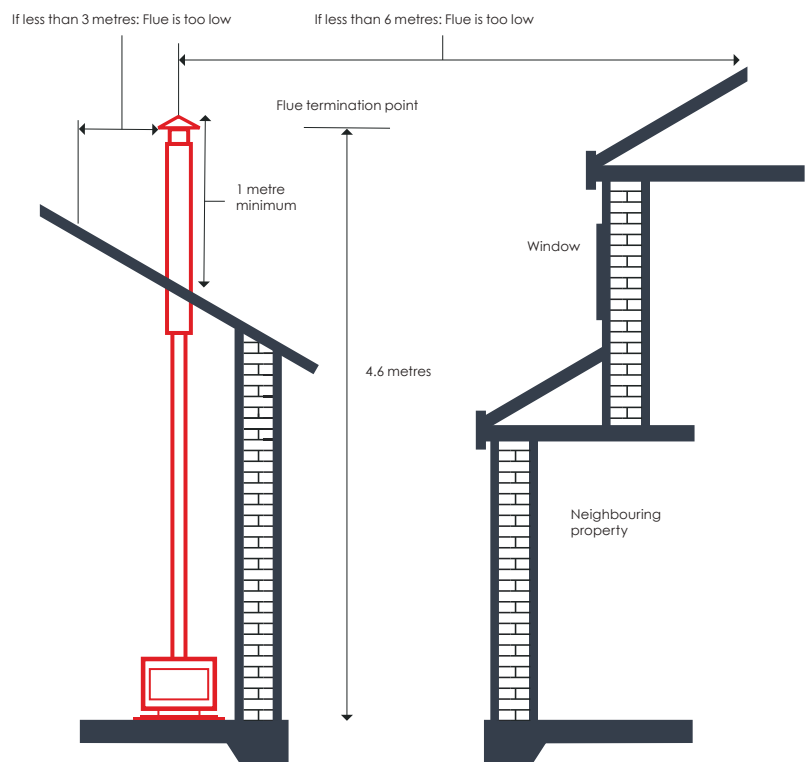
Most wood heater installations are completed trouble free.

But with some houses, simple extra measures need to be taken to ensure the flue is the correct height to avoid the hassle of downdrafts or smoke blowing into neighbouring properties.

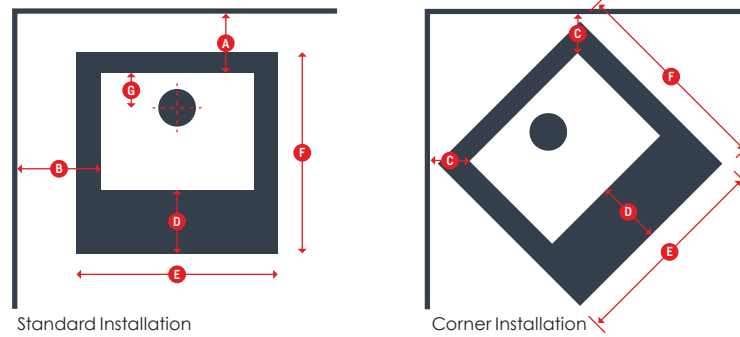
The minimum height for a wood heater installation is 4.6 metres from the bottom of the heater to the top of the flue.

Sometimes the flue will need to be extended because the flue must extend a minimum of one metre from where it exits the roof.

Keep in mind that all wood heater installations must meet the latest version of the Australian installation standards, AS/NZS 2918.



Freestander Clearance Specification



Brand	Model	Flue Configuration	Clearances (mm)				Hearth Min. Dimensions (mm)		Rear to Centre Flue (mm)	Recommended Maxiheat Hearth
			Rear Wall	Side Wall	Corner	Hearth Front	Width	Depth		
			A	B	C	D	E	F		
Saxon	Merbau	Maxiheat Decromesh Default Flue Kit with Inner Shield (MXFKDEC3MB + MXRSISS2)	150	300	50	300	860	790	183	MXTH1 GRY/BLK2
		Maxiheat Non-Perforated Flue Kit with Inner Shield (MXFKSD3MB)	100	250	50	300	860	790		
	Blackwood (Pedestal and Wood Storage)	Maxiheat Decromesh Default Flue Kit (MXFKDEC3MB)	100	300	50	300	840	925	183	MXTH1 GRY/BLK2
		Maxiheat Non-Perforated Flue Kit with Inner Shield (MXFKSD3MB)	125	300	50	300	840	925		
Mahogany	Maxiheat Decromesh Default Flue Kit with Inner Shield (MXFKDEC3MB + MXRSISS2)	125	400	50	300	1000	890	183	MXTH1 2GRY/BLK2 or MXFSH1 2DBLK	
	Maxiheat Non-Perforated Flue Kit with Inner Shield (MXFKSD3MB)	125	400	50	300	1000	890			
Austwood	Hotham	Maxiheat Decromesh Default Flue Kit (MXFKDEC3MB)	150	300	100	300	875	785	182	MXTH1 GRY/BLK2
		Maxiheat Non-Perforated Flue Kit with Inner Shield (MXFKSD3MB)	125	300	100	300	875	785		
	Thredbo	Maxiheat Decromesh Default Flue Kit (MXFKDEC3MB)	150	350	125	300	935	835	182	MXTH1 GRY/BLK2
		Maxiheat Non-Perforated Flue Kit with Inner Shield (MXFKSD3MB)	75	350	100	300	935	835		
Perisher	Maxiheat Decromesh Default Flue Kit (MXFKDEC3MB)	220	400	175	300	1035	835	182	MXTH1 2GRY/BLK2 or MXFSH1 2DBLK	
	Maxiheat Non-Perforated Flue Kit with Inner Shield (MXFKSD3MB)	220	400	150	300	1035	835			
Norseman	Forester	Maxiheat Standard Default Stainless Kit (MXFKT3SS)	475	800	525	300	850	850	175	MXTH1 2GRY/BLK2
		Maxiheat Standard Default Stainless Kit with Single Shield (MXFKT3SS + MXRSISS2)	250	800	525	300	850	850		
		Maxiheat Decromesh Default Flue Kit (MXFKDEC3MB)	250	800	525	300	850	850		
		Maxiheat Standard Default Stainless Kit with Double Shield (MXFKT3SS + MXRSISS2 + MXRSOB2)	150	800	525	300	850	850		
	Nevada MKII	Maxiheat Standard Default Black Painted Kit with Double Shield (MXFKT3MB)	150	800	525	300	850	850		MXTH1 GRY/BLK2
		Maxiheat Non-Perforated Flue Kit with Inner Shield (MXFKSD3MB)	250	325	100	300	885	799	199	
	Legend MKII	Maxiheat Decromesh Default Flue Kit (MXFKDEC3MB)	200	325	100	300	885	799		MXTH1 GRY/BLK2
		Maxiheat Standard Default Black Painted Kit with Double Shield (MXFKT3MB)	200	450	100	300	885	799		
		Maxiheat Non-Perforated Flue Kit with Inner Shield (MXFKSD3MB)	250	325	100	300	945	849	199	
	Aura MKII	Maxiheat Decromesh Default Flue Kit (MXFKDEC3MB)	200	325	100	300	945	849		MXTH1 2GRY/BLK2 or MXFSH1 2DBLK
Maxiheat Standard Default Black Painted Kit with Double Shield (MXFKT3MB)		200	325	70	300	945	849			
Maxiheat Non-Perforated Flue Kit with Inner Shield (MXFKSD3MB)		400	400	100	600	1150	1096	179		
Maxiheat	Gen II	Maxiheat Non-Perforated Flue Kit with Inner Shield & Additional Outer Shield (MXFKSD3MB + MXRSOB2)	300	400	100	600	1150	1096	179	MXTH1 2GRY/BLK2 + MXTH300GRY/BLK2
		Maxiheat Standard Default Black Painted Kit with Double Shield (MXFKT3MB)	250	400	100	600	1150	1096	179	
	Modena	Maxiheat Decromesh Default Flue Kit with Inner Shield (MXFKDEC3MB + MXRSISS2)	130	350	55	Ped: 545 Legs: 600	910	1100	158	MXTH1 2GRY/BLK2
		Maxiheat Standard Default Black Painted Kit with Double Shield (MXFKT3MB)	50	375	205	Ped: 545 Legs: 600	910	1100		
		Maxiheat Standard Default Flue Kit or Default Black Kit (MXFKT3SS or MXFKT3MB)	250	425	275	300	800	900	234	
		Maxiheat Standard Default Black Painted Kit with Double Shield (MXFKT3MB)	75	400	100	300	800	900		
	Geo	Maxiheat Standard Default Black Painted Kit with Double Shield (MXFKT3MB)	250	350	150	400	1220	1220	177	MXTHSQ12GRY/BLK
		Maxiheat Decromesh Default Flue Kit with Inner & Outer Shield (MXFKDEC3MB + MXRSISS2 + MXRSOB2)	200	350	150	400	1220	1220		
	Prime 200C	Maxiheat Standard Default Black Painted Kit with Double Shield (MXFKT3MB)	150	500	125	300	873	780	181	MXTH1 GRY/BLK2
		Maxiheat Decromesh Default Flue Kit (MXFKDEC3MB)	150	500	125	300	873	780		
Maxiheat Non-Perforated Flue Kit with Inner Shield (MXFKSD3MB)		100	400	125	300	873	780			
Prime 150	Maxiheat Standard Default Black Painted Kit with Double Shield (MXFKT3MB)	350	700	475	385	830	870	151	MXTH1 2GRY/BLK2 or MXFSH1 2DBLK	
	Maxiheat Decromesh Default Flue Kit with Inner Shield (MXFKDEC3MB + MXRSISS2)	350	700	475	385	830	870			
Clean Air	Medium Console	Maxiheat Decromesh Default Flue Kit with Inner and Outer Shield (MXFKDEC3MB + MXRSISS2 + MXRSOB2)	150	550	225	300	960	878	230	MXTH1 2GRY/BLK2 or MXFSH1 2DBLK
		Maxiheat Non-Perforated Flue Kit with Inner and Outer Shield (MXFKSD3MB + MXRSOB2)	150	550	200	300	960	878		
	Large Console	Maxiheat Decromesh Default Flue Kit with Inner and Outer Shield (MXFKDEC3MB + MXRSISS2 + MXRSOB2)	200	650	225	300	1060	927	230	MXTH1 2GRY/BLK2 or MXFSH1 2DBLK
		Maxiheat Non-Perforated Flue Kit with Inner and Outer Shield (MXFKSD3MB + MXRSOB2)	250	650	200	300	1060	927		

All measurements are in mm unless otherwise stated. Refer to the individual product installation manual for final specifications.

* Minimum Hearth Dimensions: These are minimum measurements required to meet the Australian Standard AS/NZS2918 (Note: will not cover floor from rear of heater to wall)

** Recommended Hearth: Recommended hearth to ensure all requirements are met including covering the floor for rear of heater to wall.

Products available while stocks last. Check your local store for availability. Accessories, including flue kits, where pictured are not included and can be purchased as optional extras. Colour options are a representation only and may vary in store. We reserve the right to change specifications without notice. Price and product specification is correct at time of printing and may be subject to change without notice. Insert wood heaters are not zero clearance appliances, which means they must not be installed in timber stud walls or within an enclosure made of combustible materials. All insert heaters must be installed in a full masonry cavity, unless installed with a Zero Clearance box and to the latest version of AS/NZS 2918 specifications. Refer to the appliance installation manual for all clearances and procedures prior to installation. Zero clearance - details provided in this brochure regarding the installation of a zero clearance system are for information purposes only and should not be relied upon as full installation instructions. Heating performance may reduce as a result of vaulted ceilings, drafts, large glassed areas or poor insulation. Installation is not included and must be conducted by a qualified installer. Refer to your local Barbeques Galore for more information.