

Arc & Arc XL

Live-Fire cooking made easy.

Introduction



DANGER

If you smell gas:

Shut off gas to the appliance.

Extinguish any open flame.

If odour continues, keep away from the appliance and immediately call your fire department.



WARNING

Do not store or use gasoline or other flammable liquids or vapors in the vicinity of this or any other appliance.

An LPG cylinder not connected for use shall not be stored in the vicinity of this or any other appliance.

This instruction manual contains important information necessary for the proper assembly and safe use of the appliance.

Read and follow all warnings and instructions before assembling and using the appliance. Follow all warnings and instructions when using the appliance. Keep this manual for future reference.

Never operate this appliance in enclosed areas. Failure to follow these instructions could result in fire or explosion which could cause property damage, personal injury or death.

Never operate this appliance unattended.

Never operate this appliance within 1.5m of any structure, combustible material or other gas cylinder.

Never operate this appliance within 7.5m of any flammable liquid.

Do not fill the cooking vessel beyond the limitation of the door dimensions.

Heated liquids remain at scalding temperatures long after the cooking process. Never touch cooking appliance until liquids have cooled to 45°C or less.

If a fire should occur, keep away from the appliance and immediately call your fire department. Do not attempt to extinguish an oil or a grease fire with water.

This appliance must be kept away from flammable materials during use.

Use outdoors only.

Do not modify the appliance.

Contents

GENERAL ADVICE	8
EU DECLARATION OF COMFORMITY	9
END OF LIFE	9
PRODUCT OVERVIEW	10
DATA PLATE	12
1 OPERATION & INSTALLATION	15
SAFETY CONSIDERATIONS	16
FIRE	17
CARBON MONOXIDE	17
2 SETUP & ACCESSORIES	19
ADJUSTING THE STONES	20
INSTALLING THE FLUE & BURNER GUARD	21
MOVING THE OVEN	22
OVEN PLACEMENT	23
DIGITAL TEMPERATURE DISPLAY	25
SET UP	26
RECOMMENDED TEMPERATURE RANGES	27
TROUBLESHOOTING	27
E1 ERROR CODE	27
E3 ERROR CODE	27
OPTIONAL ACCESSORIES	28
ARC MANTEL	28
ARC BOOSTER	28
ARC COVER	28
3 FIRING UP GAS	31
CONNECTING TO GAS	32
GAS SAFETY	33
INSTALLING THE IGNITER BATTERY	35
CONNECTING THE GAS HOSE	36
PUSH FIT REGULATOR	37
CLOCKWISE/ANTICLOCKWISE REGULATOR	37
TESTING FOR LEAKS	38
IGNITION	39

FIRST FIRING	40
TROUBLESHOOTING GAS BURNER	41
DISCONNECTING GAS	42
PUSH FIT REGULATOR	42
CLOCKWISE/ANTICLOCKWISE REGULATOR	43
4 GENERAL MAINTENANCE	45
MAINTENANCE	46
CLEANING THE VENTURI	46
CLEANING THE OVEN	47
INTERNAL	47
EXTERNAL	48
REPLACING THE PROBE	49

GENERAL ADVICE

Arc gets extremely hot and should not be used by children. Do not allow children near the device during or after operation. Arc can stay hot for a few hours after use.

Do not use under any apartment or balcony or deck.

This appliance is for cooking purposes only. It must not be used for other purposes, for example heating a room.

Arc has not been designed or intended to be used on a boat or within a recreational vehicle or any other form of confined area.

Assembly and operation of the oven should be carried out by a competent person.

The use of alcohol, prescription or non-prescription drugs may impair the consumers ability to assemble or operate the device safely.

Do not use any plastic or glass utensils within Arc.

Use heat-resistant gloves when operating the oven.

Do not insert items into Arc that are bigger than the dimensions of the oven mouth.

Do not over fill Arc or cover the burner.

Do not move Arc whilst in operation.

Do not operate Arc in strong winds. Winds can extinguish the flame and also cause irregular air pressure resulting in the flame and heat coming out the back of Arc. Use a wind break in open areas but keeping over 45cm away from the device.

Do not pour water on to the cooking stone as this will likely crack it and could be dangerous because of oil and grease.

Do not wear loose flammable clothing or sleeves near Arc.

Parts sealed by the manufacturer or the agent shall not be manipulated by the user.

Never use gas and wood simultaneously.

For replacement parts "/contact us at enquiries@gozney.com / inquiries@gozney.com

EU DECLARATION OF CONFORMITY

Manufacturer's Name: Gozney Limited
Manufacturer's Address: Gozney Group
Ltd, Bobbys, Third floor, The Square, 2-12
Commercial Rd, Bournemouth BH2 5LP.

Herewith declare that this product

Product: Arc Oven, Arc XL oven

Type(s):

Arc: GOZ-1485

Arc XL: GOZ-1728

Trade name: Arc, Arc XL

Is in conformity with the following EC
directives:

- Gas Appliance Regulation (EU)
2016/426

- Gas Appliances (Enforcement) and
Miscellaneous Amendments Regulations
2018 (UK Statutory Instrument 2018 No.
389)

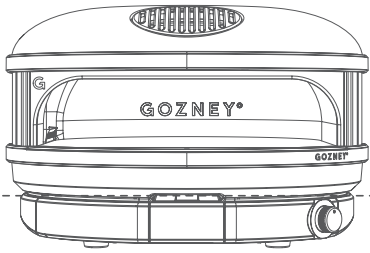
and that the following harmonized
standards have been applied:

EN 498:2012

END OF LIFE

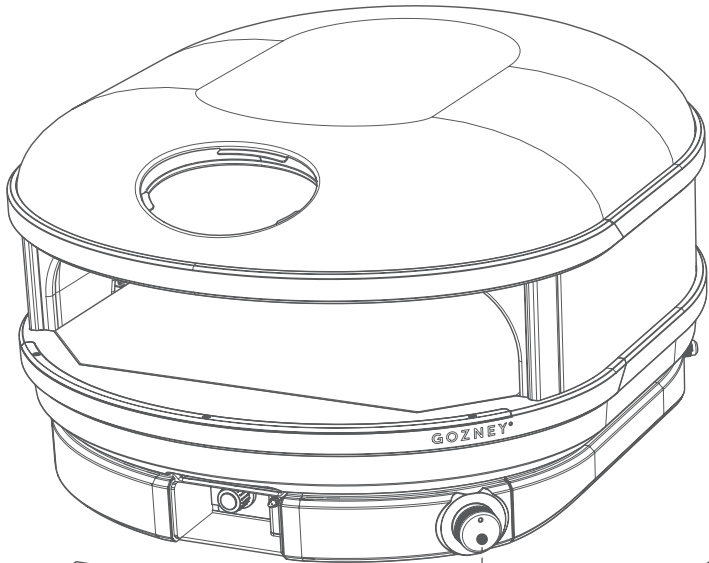
At product's end of life, please dispose
responsibly.

Product Overview - What's in the Box

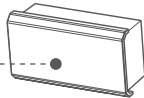


Oven

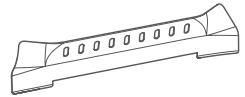
Dock



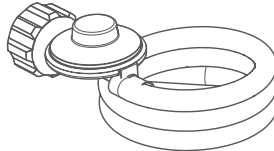
Thermometer



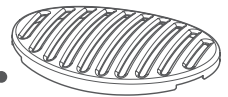
Gas Control Dial



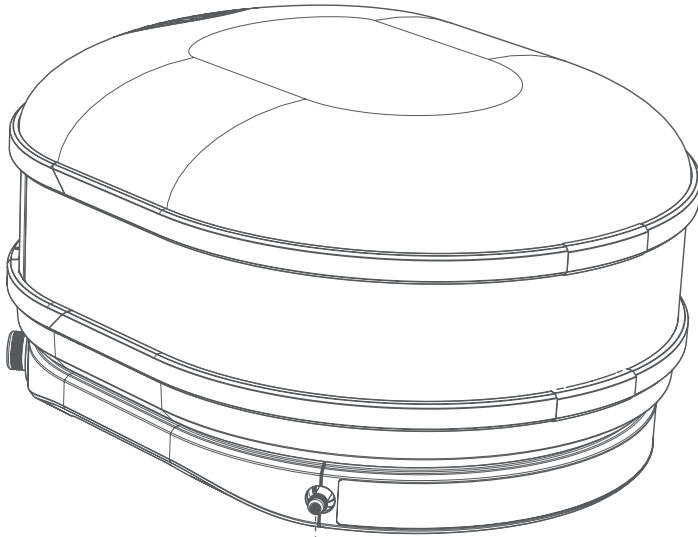
Gas Hose & Regulator



Burner Guard



Flue Outlet



Gas Inlet



Stone Adjustment
Tool



Torx Screwdriver

Data Plate

Gozney Group Ltd, Bobbys, Third floor, The Square, 2-12 Commercial Rd, Bournemouth BH2 5LP	
Appliance Name:	Gozney Arc Gozney Arc XL
Model/Type No.: Arc: Arc XL:	GOZ-1485 GOZ-1728
Trade name:	Gozney Arc Gozney Arc XL
Total nominal output for the gas burner: Arc: Arc XL:	4.5 kW for $I_{3B/P(30)} I_{3P(30)} I_{3+(28-30/37)} I_{3B/P(37)} I_{3P(37)} I_{3P(50)} I_{3B/P(50)}$ 5.5 kW for $I_{3B/P(30)} I_{3P(30)} I_{3+(28-30/37)} I_{3B/P(37)} I_{3P(37)} I_{3P(50)} I_{3B/P(50)}$

Suitable for outdoor use only.



Read the instructions before installing and using the appliance.
This appliance must be installed according to the regulations in force and only used in a well ventilated space.
WARNING: accessible parts may be very hot. Keep young children away.
Pin Code: XXXX/XX/XXXXX

ARC

Total nominal heat output for the gas burner		4.5kW for $\text{L}_{3\text{B}/\text{P}(30)}$ $\text{L}_{3\text{P}(30)}$ $\text{L}_{3+(2\text{B}-30/37)}$ $\text{L}_{3\text{B}/\text{P}(37)}$ $\text{L}_{3\text{P}(37)}$ $\text{L}_{3\text{P}(50)}$ $\text{L}_{3\text{B}/\text{P}(50)}$						
Injector size	0.96mm		1.04mm				1.07mm	
Gas Category	$\text{L}_{3\text{B}/\text{P}(50)}$	$\text{L}_{3\text{P}(50)}$	$\text{L}_{3+(2\text{B}-30/37)}$		$\text{L}_{3\text{B}/\text{P}(37)}$	$\text{L}_{3\text{P}(37)}$	$\text{L}_{3\text{B}/\text{P}(30)}$	$\text{L}_{3\text{P}(30)}$
Gas Type	Butane, Propane or their mixture	Propane	Butane	Propane	Butane, Propane or their mixture	Propane	Butane, Propane or their mixture	Propane
Gas Pressure	50 mbar	50 mbar	28-30 mbar	37 mbar	37 mbar	37 mbar	30 mbar	30 mbar
Destination countries	AT, CH, DE, LU, NL	AT, CH, DE, LU, NL	BE, CH, CY, CZ, ES, FR, GB, GR, HR, IE, IT, LV, LU, PL, PT, SK, SI		BE, CH, CY, CZ, ES, FR, GR, HR, IE, IT, LV, LU, PL, PT, SI	BE, FR, IT, IE, GB, GR, PT, ES, CZ, LT, SK, CH, SI, HR, NL, PL	AL, BE, BG, CY, HR, DK, EE, FI, FR, HU, IS, IT, LT, LU, MT, MK, NL, NO, RO, SI, SE, TR	AL, BE, BG, CY, HR, DK, EE, FI, FR, HU, IS, IT, LT, LU, MT, MK, NL, NO, RO, SI, SE

ARC XL

Total nominal heat output for the gas burner		5.5kW for $\text{L}_{3\text{B}/\text{P}(30)}$ $\text{L}_{3\text{P}(30)}$ $\text{L}_{3+(2\text{B}-30/37)}$ $\text{L}_{3\text{B}/\text{P}(37)}$ $\text{L}_{3\text{P}(37)}$ $\text{L}_{3\text{P}(50)}$ $\text{L}_{3\text{B}/\text{P}(50)}$						
Injector size	1.02mm		1.14mm				1.15mm	
Gas Category	$\text{L}_{3\text{B}/\text{P}(50)}$	$\text{L}_{3\text{P}(50)}$	$\text{L}_{3+(2\text{B}-30/37)}$		$\text{L}_{3\text{P}(37)}$	$\text{L}_{3\text{B}/\text{P}(37)}$	$\text{L}_{3\text{B}/\text{P}(30)}$	$\text{L}_{3\text{P}(30)}$
Gas Type	Butane, Propane or their mixture	Propane	Butane	Propane	Propane	Butane, Propane or their mixture	Butane, Propane or their mixture	Propane
Gas Pressure	50 mbar	50 mbar	28-30 mbar	37 mbar	37 mbar	37 mbar	30 mbar	30 mbar
Destination countries	AT, CH, DE, LU, NL	AT, CH, DE, LU, NL	BE, CH, CY, CZ, ES, FR, GB, GR, HR, IE, IT, LV, LU, PL, PT, SK, SI		BE, FR, IT, IE, GB, GR, PT, ES, CZ, LT, SK, CH, SI, HR, NL, PL	BE, CH, CY, CZ, ES, FR, GR, HR, IE, IT, LV, LU, PL, PT, SI	AL, BE, BG, CY, HR, DK, EE, FI, FR, HU, IS, IT, LT, LU, MT, MK, NL, NO, RO, SI, SE, TR	AL, BE, BG, CY, HR, DK, EE, FI, FR, HU, IS, IT, LT, LU, MT, MK, NL, NO, RO, SI, SE

This section details the correct operation and install of a Gozney Arc.



Operation & Installation

SAFETY CONSIDERATIONS

This appliance must be installed on a secure level base prior to use.

WARNING: This appliance will become very hot, do not move it during operation.

WARNING: Keep away from children and pets.

The Arc unit and the burner must always be well ventilated.

The appliance must be installed under a suitable extraction hood to evacuate any substances harmful to health in the room in which they are installed.

Do not move or leave Arc unattended whilst in use.

Do not operate Arc in strong winds. Wind can extinguish flame.

Do not burn wood in this oven.

—
The oven can become very hot. Do not use the accessory hatch when the oven is in operation.

—
Do not wear flammable loose garments or sleeves.

—
Do not cover oven mouth when there is an active flame, this will cause damage to the oven.

—
This oven is not intended to be installed in or on recreational vehicles.

—
Product may contain sharp edges! Please use caution.

WARNING: Contact your local municipality for any building codes applicable to the use, installation and operation of outdoor barbecue appliances.

CARBON MONOXIDE

Carbon Monoxide is a highly poisonous gas which can be produced when the device isn't receiving enough ventilation.

We therefore recommend using wood or gas fuels in a well ventilated area away from direct wind and to never cover the oven mouth when there is an open flame present.

It is difficult to know if your device is producing Carbon Monoxide as it is an odourless and colourless gas.

It can, however cause these symptoms when you are exposed to it:

- Tightness across the forehead
- Headache
- Weakness
- Dizziness
- Nausea
- Vomiting
- Coma, intermittent convulsions
- Depressed heart action, slowed respiration

If the exposure has been severe it may cause death.

Please follow local regulations and install a CO alarm if necessary.

FIRE

Most fires are caused by a build up of grease, or (if using gas) an improper gas connection. In the event of a fire ensure all people and pets are kept as far away as possible.

Use a fire extinguisher if possible, but if water is the only fire retardant available, thoroughly soak the area around the appliance. When spraying water on Arc itself, do not use a strong jet of water, as this may cause splashing of burning grease, resulting in a further spreading of the fire.

This section details the set up of the oven and the accessories included with your Arc.

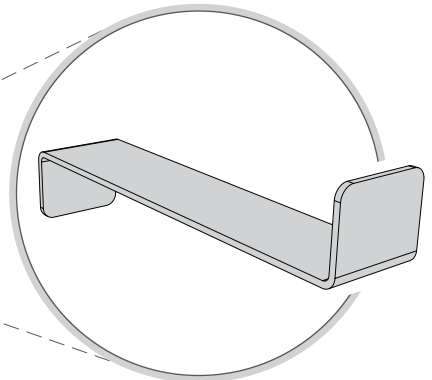
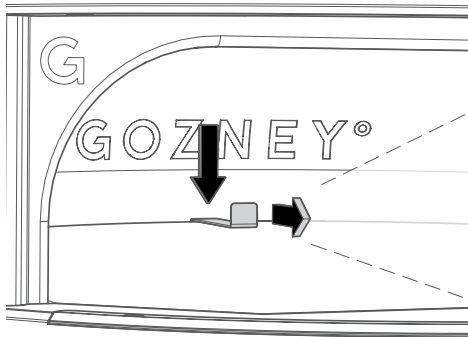
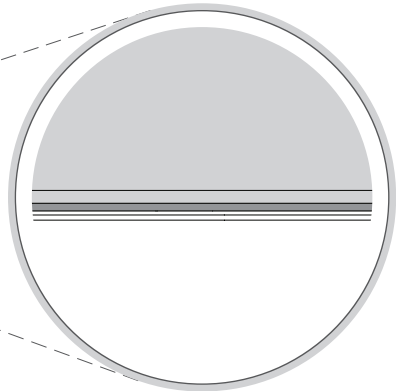
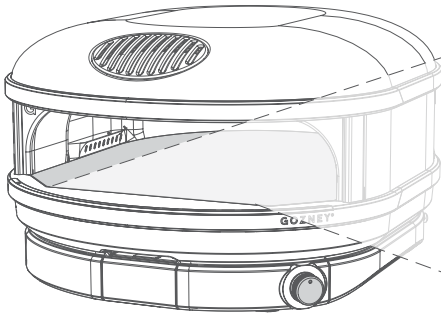
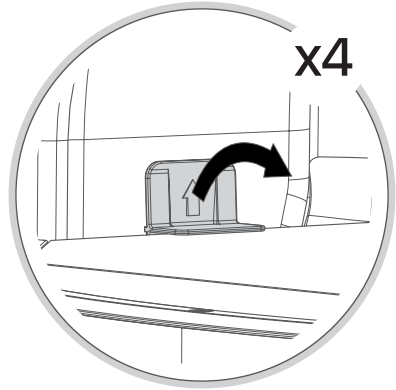
2

Setup & Accessories

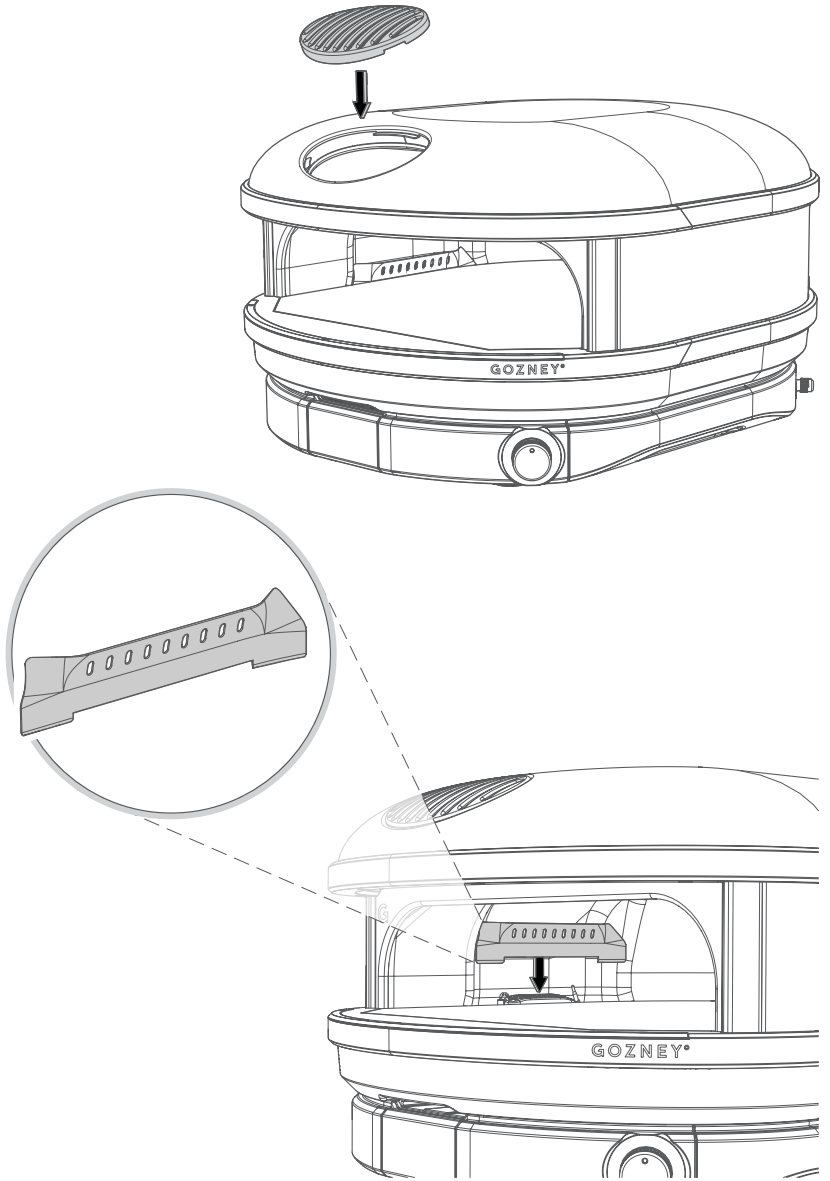
Adjusting The Stones

Before using Arc it is important that the four blue stone retention wedges and other packaging inside of the oven are removed.

The removable stone design of Arc means that it is not fixed inside the oven and as such can shift backwards during transport. If there is a large visible gap at the front of the stone, you can use the included stone adjustment tool to hook the back of the stone and pull it forward.



Installing The Flue & Burner Guard

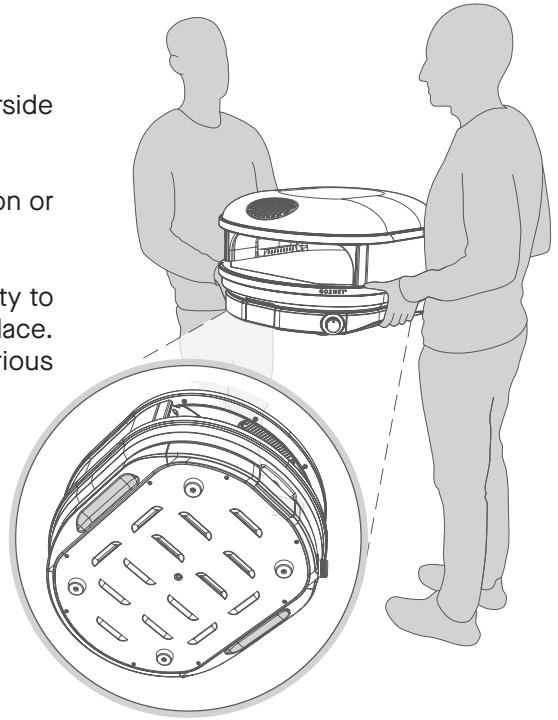


Moving the Oven

Use the hand holds on the underside edges of the oven to carry it.

Do not move Arc whilst in operation or when it is still hot.

Be sure that you have the capability to safely move the oven and set it in place. Failure to do so could cause serious bodily injury.

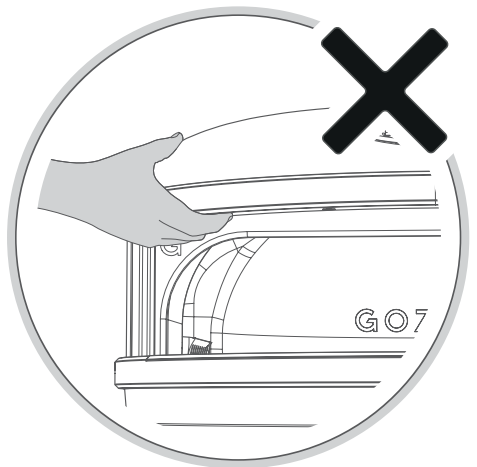


Do not use the mouth of the oven as a lifting point.

Remove anything loose and all transit packaging in the oven before moving.

Always plan the route you are going to take, remove any obstacles on your path and ensure the oven will fit through the intended route.

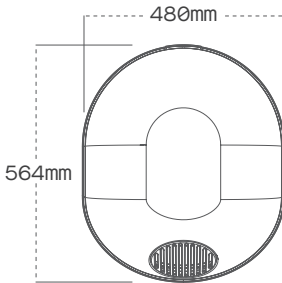
Ensure the area you are moving the oven to fits with the guidelines on the following page.



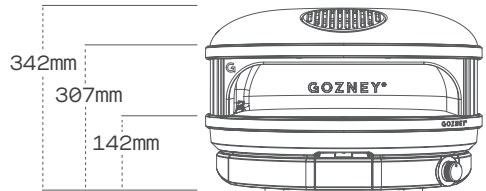
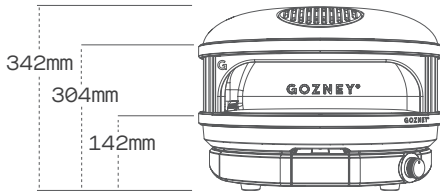
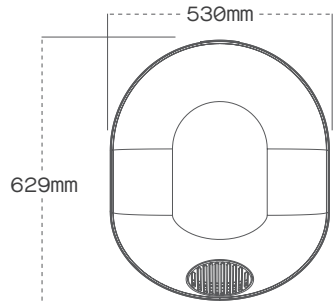
OVEN PLACEMENT

When deciding where to place Arc ensure the area is large enough to accommodate the oven with 2" (50mm) around the base of the dock for air intake. It is important nothing is blocking this area as this will affect the performance of Arc.

Arc



Arc XL



WARNING

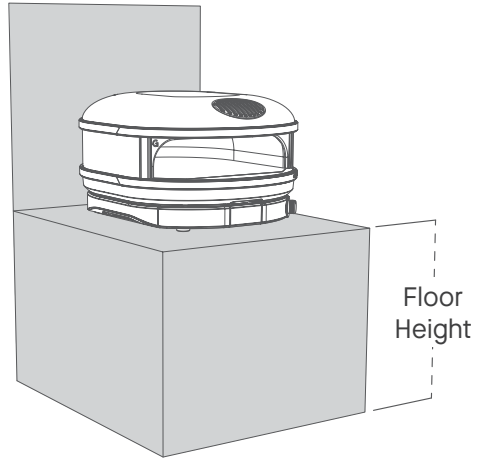
When placing your oven it is important to maintain proper clearances from combustible construction. Ensure Arc has 30cm clearance (back and sides) and 100cm clearance (front) from any combustible construction.

Always keep the area around the oven clear of any combustible materials, gasoline and other flammable vapors and liquids.

Under no circumstances is the oven to be placed under or on top of any combustible structure.

We recommend the height of the floor to be around the level of the bottom of the users elbow (usually around 120cm from the ground).

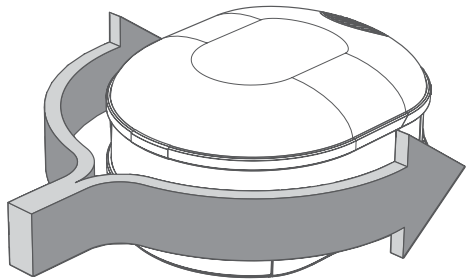
Ensure the surface the oven is being placed on is completely level, stable and capable of easily holding the weight of the oven - 20kg Arc, 25kg Arc XL.



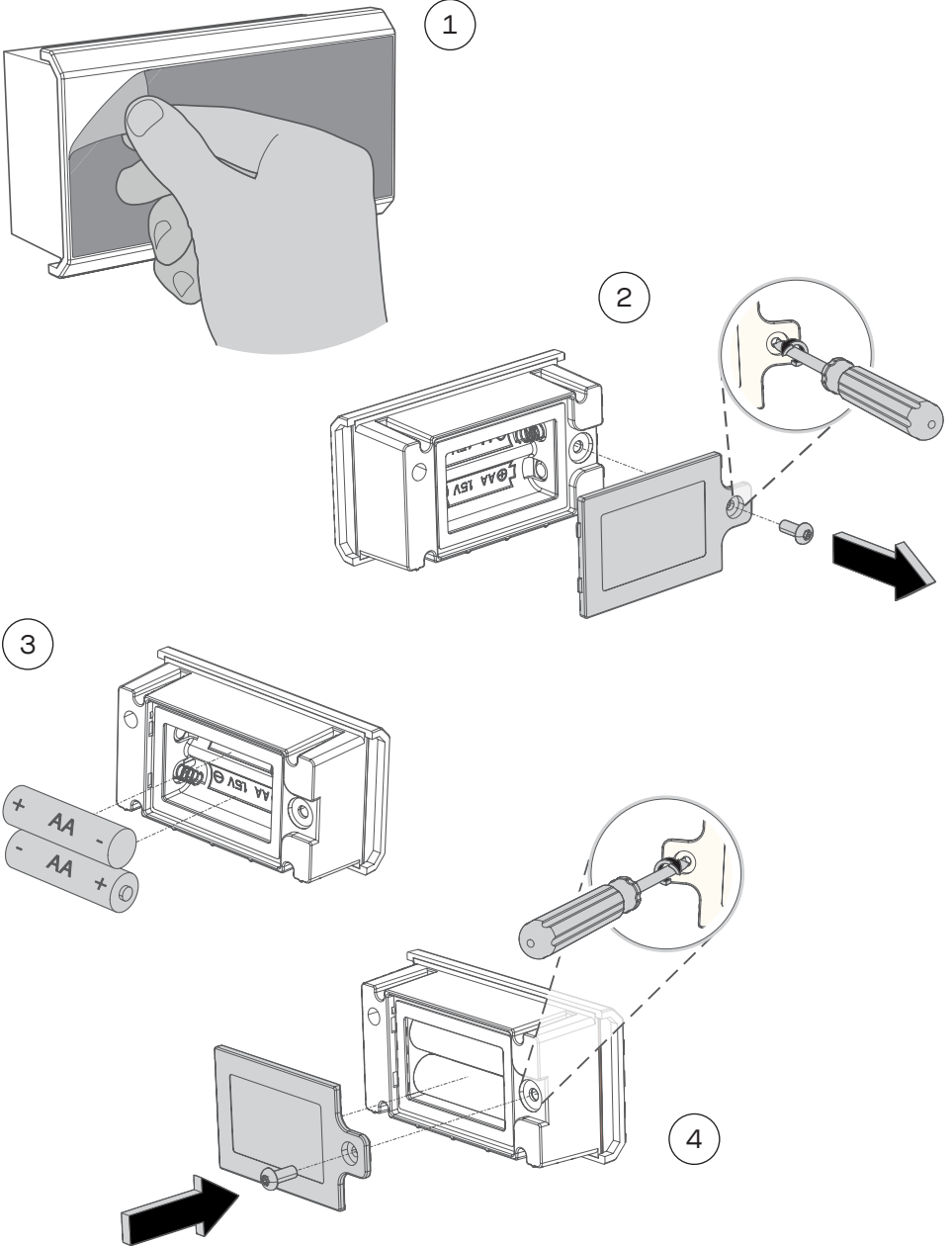
WARNING

Never operate the oven in high winds or if the wind is blowing into the oven mouth.

Wind should be taken into consideration when choosing a location. The oven should be orientated so that the mouth is facing away from the wind. Avoid using the oven in windy conditions, it is important to have wind breaks situated around the oven to stop the wind from blowing the flame down into the dock. If you see fire coming from the dock, turn the oven off from either the gas bottle or control knob. Never operate the oven in high winds.



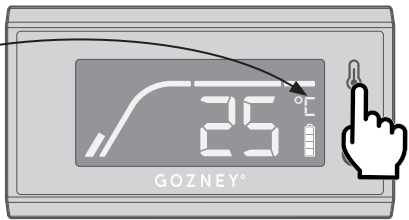
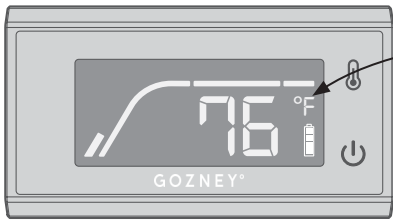
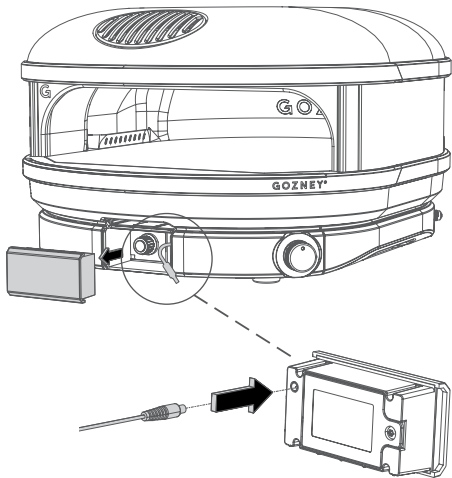
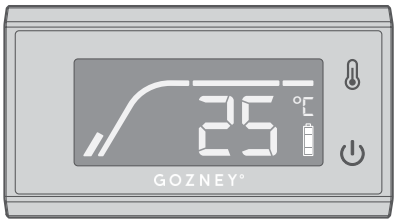
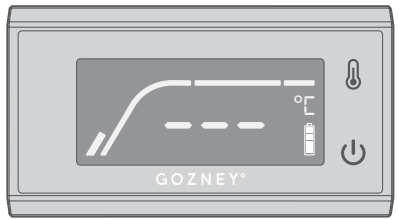
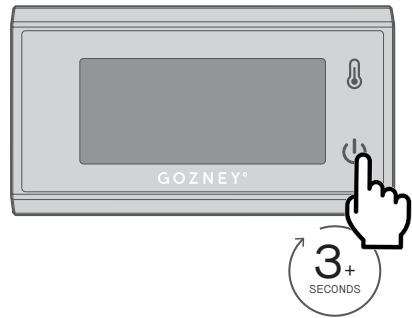
Digital Temperature Display



SET UP

After installing the batteries hold the power button down until the display turns on. Find the sensors jack by removing the plastic cap and plug it into the rear of the display, the screen will then show the temperature from within the oven.

The Digital Temperature Display is held in place by magnets.



Digital Temperature Display

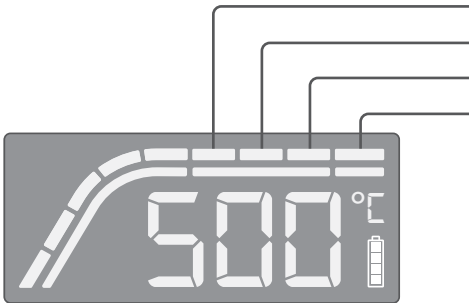
Recommended temperature ranges:

New York Pizza - 320 - 370°C+

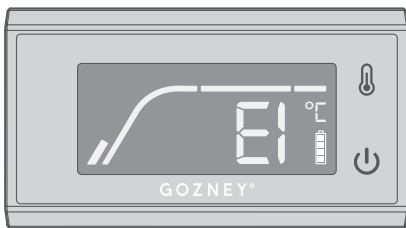
Roman Style Pizza - 370 - 430°C

Neapolitan Pizza - 430 - 480°C

Over Temp (Too Hot) - 480°C+



TROUBLESHOOTING

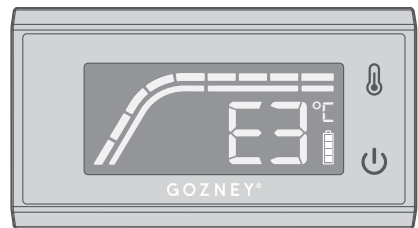


E1 ERROR CODE

If the thermometer is displaying an error code E1. This is caused by either:

1) A loose connection where the jack plug connects to the thermometer. Please ensure the jack plug is pushed fully in to the socket on the back of the thermometer.

2) Damage to the probe. The probe may need replacing. Please refer to maintenance instructions at the end of the manual.



E3 ERROR CODE

If the thermometer is displaying an error code E3. This is caused by the oven probe exceeding temperatures of 700°C/ 1292°F. Running the oven above this temperature may damage the unit.

To resolve this turn the gas burner off and let the oven cool naturally.

Do not try to rapidly cool the oven. This may crack the stone floor or cause stress damage to the oven.

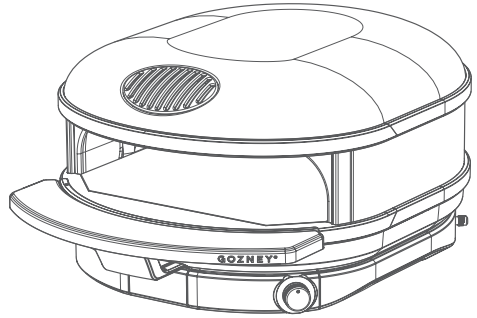
Optional Accessories

Not included and must be purchased separately.
For more details visit the Gozney website. www.gozney.com.

ARC MANTEL

Whether you're cooking Neapolitan pizza, roasting vegetables or smoking meat, Arc Mantel makes moving food in or out of the oven simple.

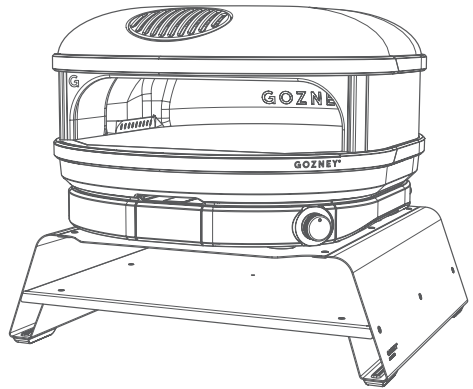
Easily slotting onto the oven, the Mantel is made from ceramic coated, food grade aluminum alloy for extra heat and scratch resistance.



ARC BOOSTER

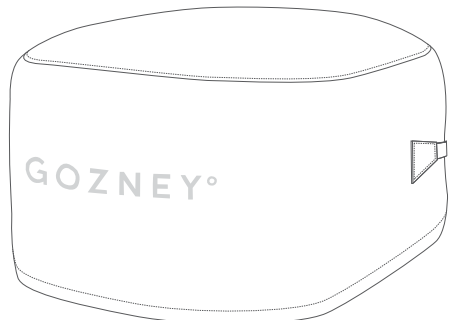
Raise your cooking game and your oven with the Arc booster allowing you to use Arc at the optimal height when placed on an outdoor counter-top or table.

The easy access shelf will keep all of your accessories close to hand while you operate the oven as well as providing a safe place to store them between uses.



ARC COVER

Designed to fit perfectly over your oven on a counter-top, the Arc Cover is made from marine grade, weather resistant materials. Whilst giving complete protection from rain, wind, frost, UV, salt, insects and wildlife, the Arc cover remains breathable to let moisture escape when it needs to.



Your guide to burning gas.

3

Firing Up Gas

Connecting to Gas

Check that the gas you are using is specified on the data plate page.

The gas cylinder used must have a safety collar to protect the valve assembly. Do not use a cylinder that is rusty, dented or has a damaged valve.

We recommend using a 9kg gas bottle as a minimum in conjunction with Arc.

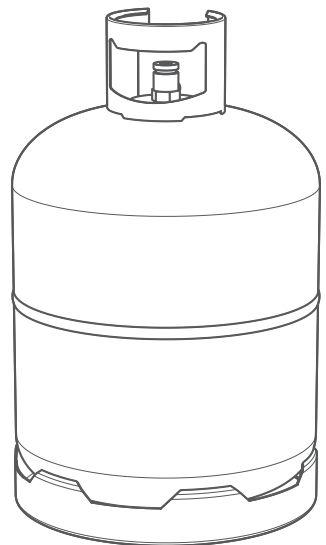
Connect the regulator to the gas canister, following the instructions for your regulator accordingly. Do not force the regulator as this could damage the gas bottle.

WARNING: If at any point you smell gas: Shut off the gas from the cylinder, turn off the switch on Arc and extinguish any open flames.

If odour continues, move away from Arc and gas supply then contact your gas supplier or fire service.

Ensure that the LPG cylinder or regulator valve is closed.

Do not store a spare LPG cylinder under or near this appliance.



Gas Safety

Prior to use, check the oven, burner and venturi for blockages (e.g. food residue or insect nests - Wasps, Bees or Ants.) If an insect nest is found they can be dangerous and must be cleaned out thoroughly. Please refer to the cleaning and maintenance section for guidance.


Should the appliance extinguish for any reason, turn off the control knob and the cylinder gas valve. Wait 5 minutes before attempting to relight the appliance.


Some foods produce flammable fats and juices. Therefore the Arc oven should be attended at all times whilst being used. Damage caused by fat and grease fires is not covered by warranty. If a grease or fat fire should occur, immediately turn off burner knob and the gas cylinder valve until the fire is out. Remove all food from the appliance.


A leak test must be carried out prior to using the appliance for the first time and whenever the gas cylinder is refilled or whenever the gas hose and regulator have been disconnected from the gas cylinder or appliance.


Remove all packaging before attempting to light the gas burner.


Please take a moment to review all of the safety requirements before operating the appliance when using gas.


 Remove the cap from the gas inlet before connecting the hose. Make sure it is free of damage and debris.


 Do not disconnect any gas fittings while the appliance is operating.

 Check all gas hose lines and connections for cuts, cracks and other damage before each use. If there is excessive abrasion or wear it must be replaced with a Gozney approved hose assembly before use.

 Gas cylinders must not be stored in enclosed areas.

 Keep the fuel supply hose away from heated surfaces or direct sunlight.

 Do not use any additional flammable substance whilst operating with gas.

 Do not touch! Arc can get extremely hot when in operation. Be sure to wear protective gloves when operating the oven. Young children should be kept away.



Keep the cylinder outdoors in its upright position.



Do not connect multiple gas canisters to Arc or store a spare within the same vicinity.



A regulator which complies with EN16129 or EN12864 must fit between the gas canister and the oven.



Do not position the gas canister under the oven.



Never use a naked flame to check for gas leaks.



Maximum length of hose cannot exceed 1.5m. In Finland, hose length cannot exceed 1.2m.



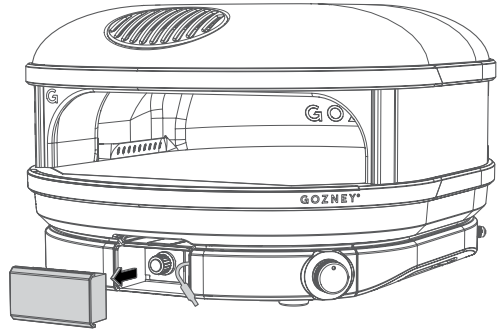
National requirements state how often to replace the hose. Please review this for your area.



Never fill the cylinder beyond 80 percent full.

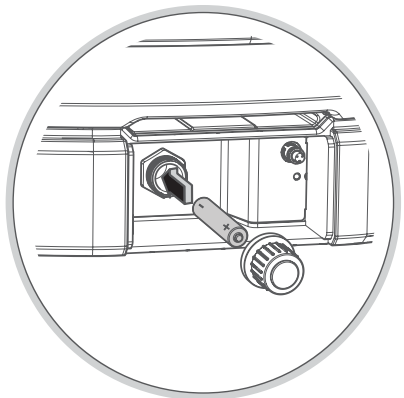


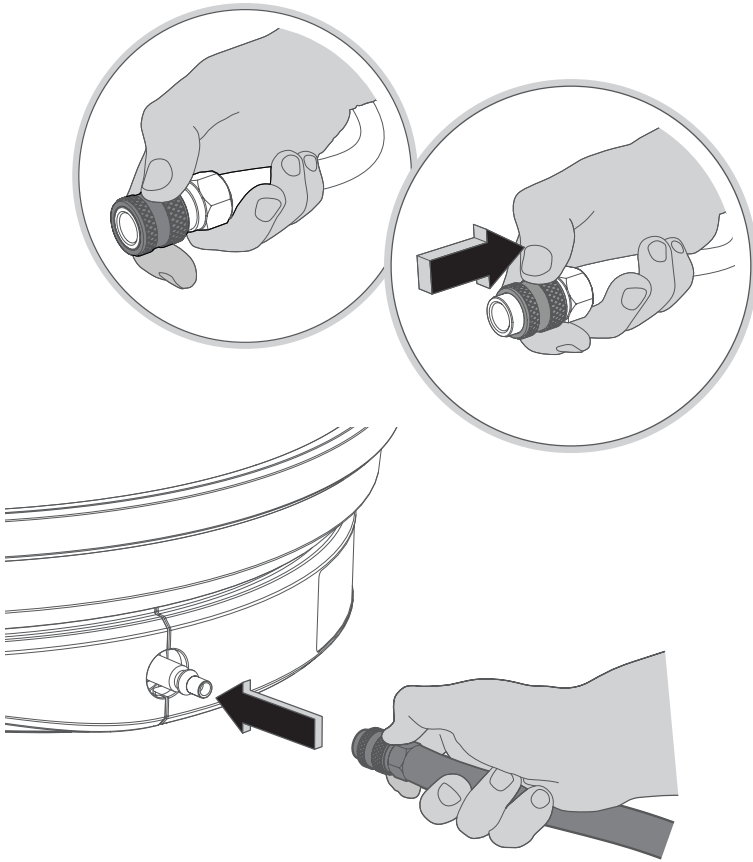
Make sure the flexible tube is not twisting when the appliance is in operation.



INSTALLING THE IGNITOR BATTERY

Before using the gas burner for the first time you'll need to install an AAA battery into the ignition module. To do this remove the thermometer from the front of the oven, the module will be inside and to the left. Unscrew the cap and place the battery in (negative end first) before returning the thermometer to its original position in the dock. You're now ready to connect the gas bottle to the oven.



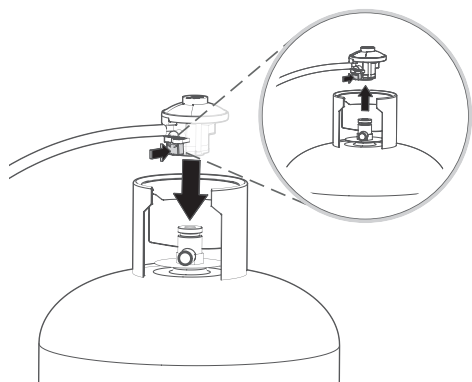


CONNECTING THE GAS HOSE

To attach the quick connection gas hose to your Arc pull the collar back on the connector and place the hose onto the gas inlet. When you release the collar it should return to its original position freely. This connection must be tested for leaks before using the oven.

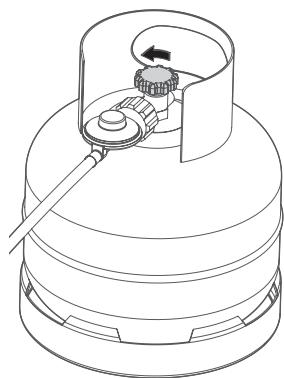
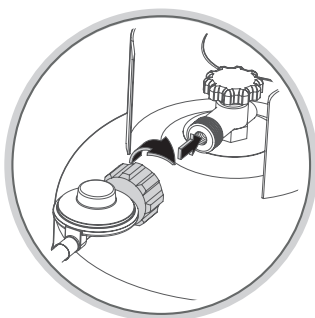
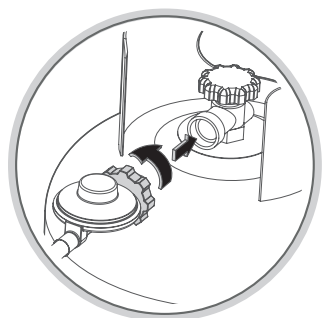
hose must be replaced prior to the appliance being put into operation. Any replacement hose assembly or pressure regulators shall be that specified by Gozney, for more details visit the Gozney website. www.gozney.com. Keep the gas hose away from any heated surface(s).

Inspect the hose before each use of the appliance. If there is evidence of abrasion, wear, cuts, or leaks, the



PUSH FIT REGULATOR

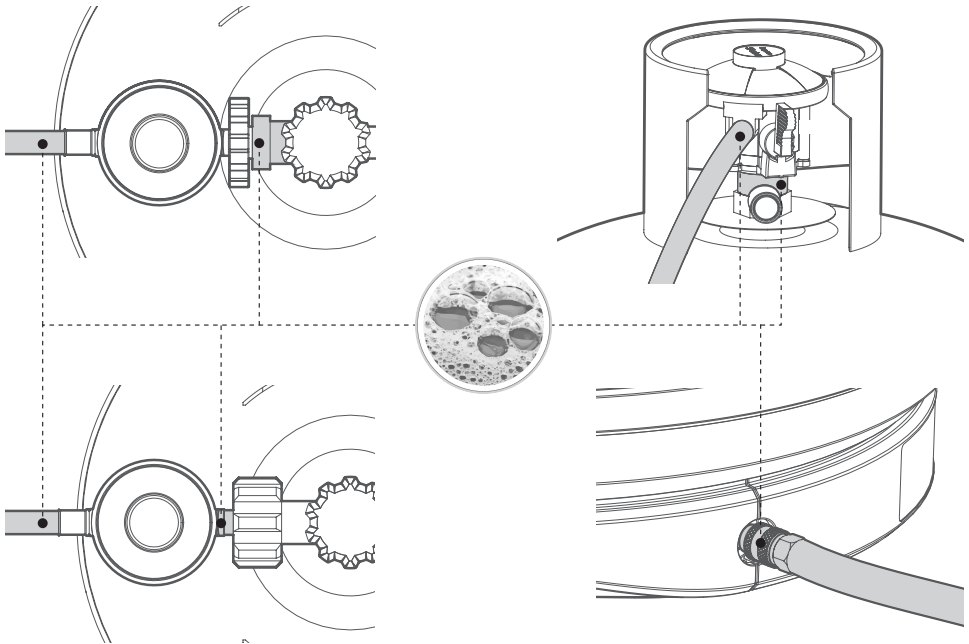
Make sure the lever is in the horizontal position so the button can be pressed. Pressing in the button, place the regulator onto the gas bottle. After releasing the button, turn the lever to a vertical position. This connection must be tested for leaks before using the oven.



CLOCKWISE / ANTICLOCKWISE REGULATOR

Ensure the gas bottle is turned off. Align the regulator and the gas bottle threads and carefully begin to tighten ensuring the threads aren't crossed. Continue to tighten until a tight fit has been made. This connection must be tested for leaks before using the oven.

Testing For Leaks



WARNING

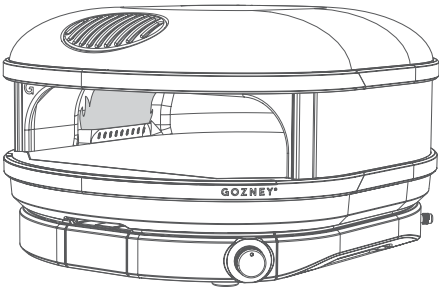
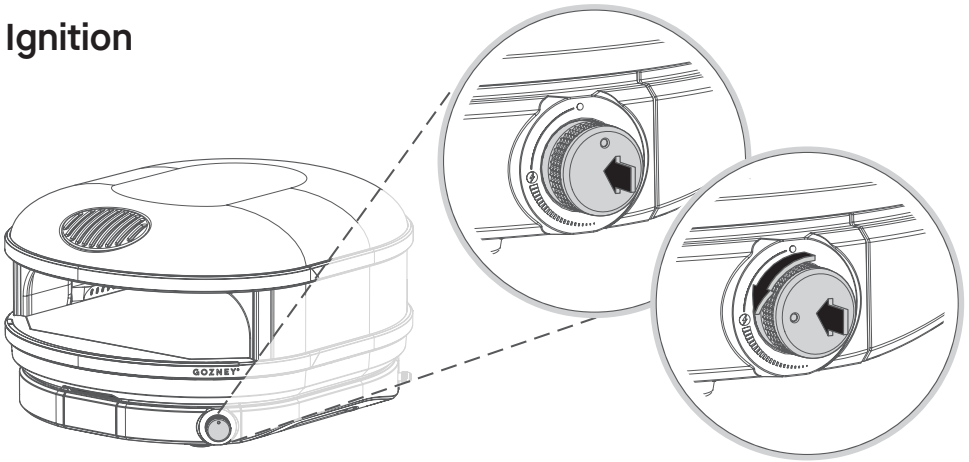
You should always check for gas leaks every time you disconnect and reconnect a gas fitting. Never ignite burners when leak checking.

To test for gas leaks, apply a mixture of soapy water with a brush to the highlighted areas and any cracks along the hose. If a leak is present the solution will bubble.

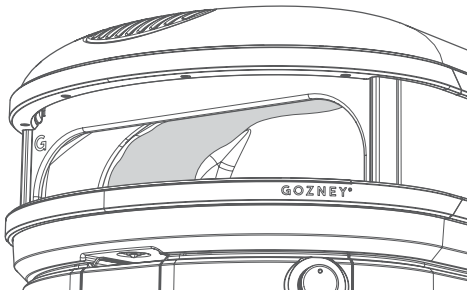
If there is a leak at the hose to oven connection, re-attach the fitting and check for leaks by applying a soap-and-water solution to the highlighted areas with a brush. If a leak persists turn off the gas and **DO NOT OPERATE THE OVEN.**

If there is a leak at the valve connection, remove LPG cylinder. Do not operate oven. Use a different LPG cylinder and recheck for leaks with the soap-and-water solution.

Ignition



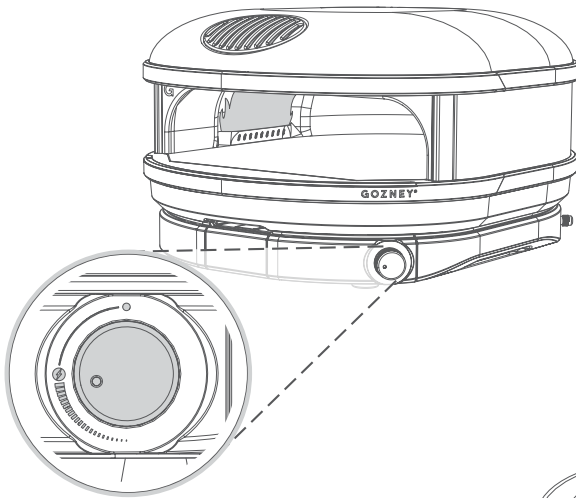
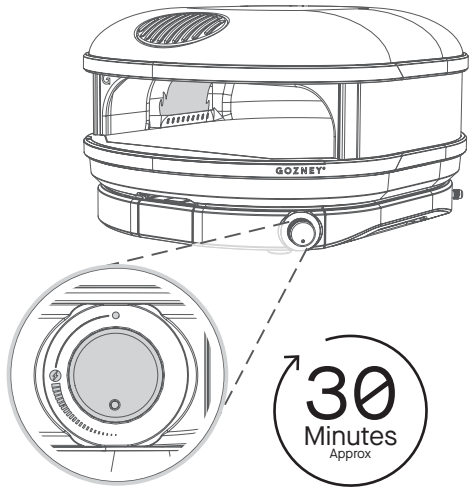
Remove the stone retention wedges before lighting the oven. To light the gas burner press the control knob in and turn the knob 90° until you hear a clicking sound and the burner ignites.



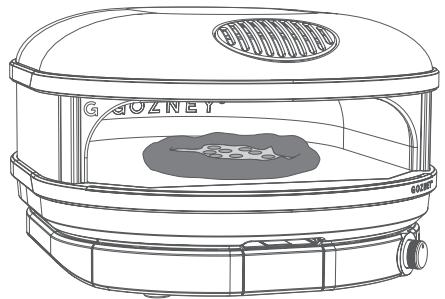
The flame should be yellow in colour and roll along the top of the oven.

First Firing

On your first firing we highly recommend putting the burner on a medium to low flame for 30 minutes to help cure the oven before moving to a high flame.



On subsequent firings after curing, you can bring the oven up to the desired temperature from ignition. If the oven has been dormant for an extended period, you should cure the oven again as if it was a first firing.

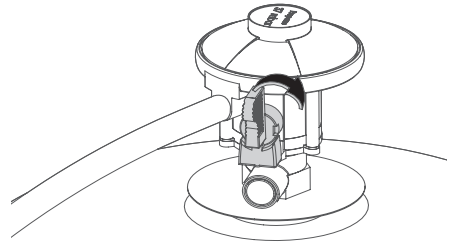


Troubleshooting Gas Burner

Problem Observed	Possible Reasons	Solution
Flame looks too small	<ul style="list-style-type: none"> • Gas cylinder is near empty • Gas cylinder is too small • Ambient temperature is below 0°C • Blocked burner 	<ul style="list-style-type: none"> • Try replacing the gas cylinder if it is empty. • The cannister may be too small. We recommend a 9kg canister as a minimum. • If the ambient temperature is below 0°C it is to be expected that a loss of power from the gas canister will occur. • The burner could be blocked, please refer to cleaning instructions available in this manual.
Failure to ignite	<ul style="list-style-type: none"> • Ignition battery is empty • Blocked burner • Gas canister is empty 	<ul style="list-style-type: none"> • If firing for the first time or replacing a gas bottle the burner can take up to 30 seconds for the gas to flow through the system. Keep the control knob on until the pilot light has ignited. • If the control knob is not making a clicking sound when pushed in try replacing the battery at the back of the unit. Review the maintenance section within the manual for help and guidance on this.
Noisy Flame	<ul style="list-style-type: none"> • Incorrect ignition • Blocked Burner 	<ul style="list-style-type: none"> • If the burner is making a loud grumbling sound first turn the burner down to low flame and then back to high. If the sound continues turn the burner off for 5 minutes and retry igniting it. If the problem persists still review the cleaning and maintenance instructions to remove debris in the burner.

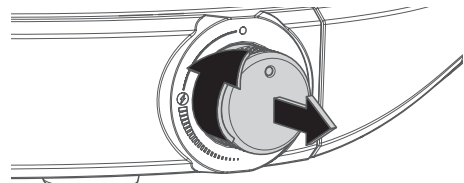
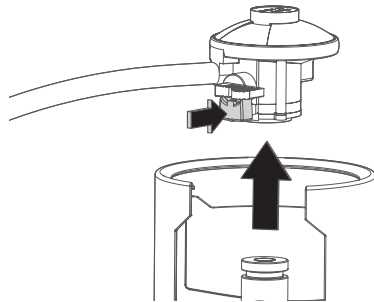
If the problem persists after trying the following solutions please contact Gozney for further support.

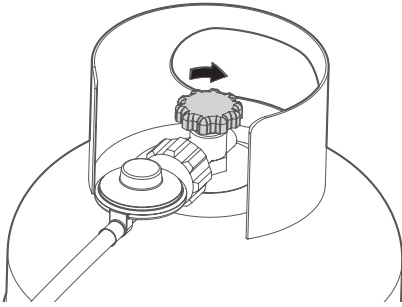
Disconnecting Gas



PUSH FIT REGULATOR

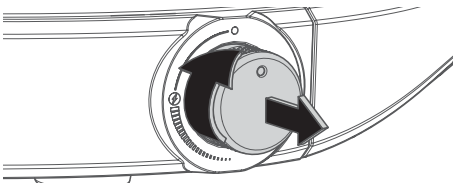
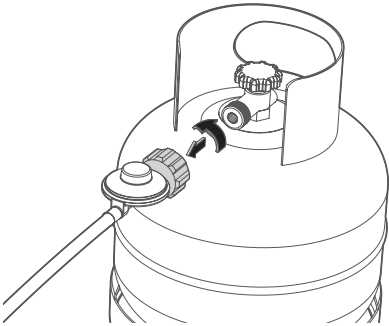
After cooking, be sure to turn off the gas from the gas canister first before turning off Arc. This will allow any gas left in the burner or pipe to be used up safely. Three minutes after turning the gas off it will be safe to remove the regulator and turn the control dial back to the off position.





CLOCKWISE / ANTICLOCKWISE REGULATOR

After cooking, be sure to turn off the gas from the gas canister first before turning of Arc. This will allow any gas left in the burner or pipe to be used up safely. Three minutes after turning the gas off it will be safe to remove the regulator and turn the control dial back to the off position.



Your guide to general maintenance.

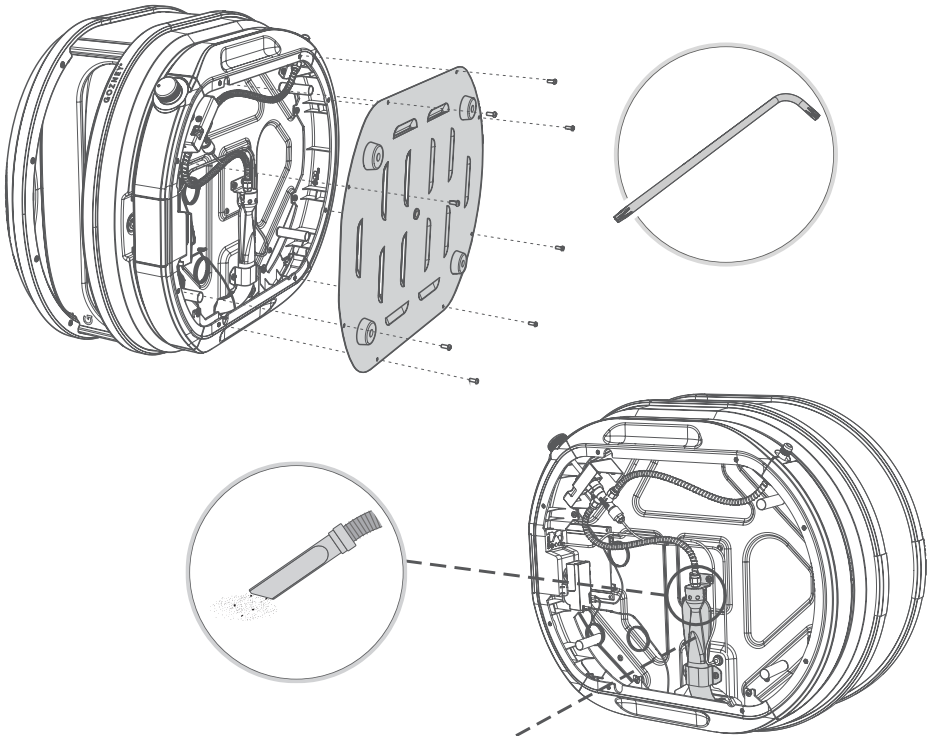
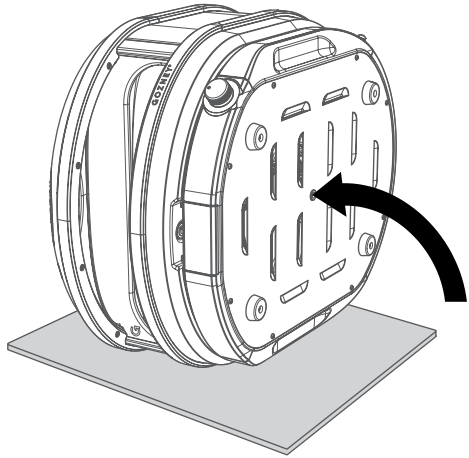
4

General Maintenance

Maintenance

CLEANING THE VENTURI

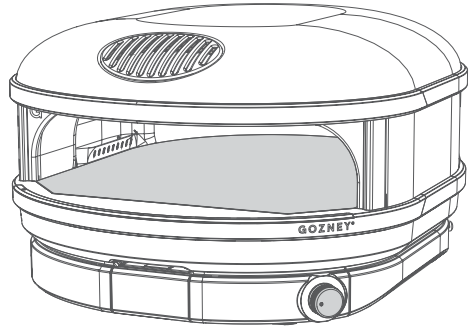
If your burner's flame is overly yellow or making more noise than usual you may have debris blocking the venturi. When the oven is turned off, disconnect it from the gas and let it cool. Make sure Arc is on a soft surface that won't cause scratches before gently rolling it onto its side. Use the torx screwdriver provided to loosen the 8 screws and remove the bottom panel. Use a vacuum cleaner with a long plastic nose to remove any debris. It's good practice to check the inside of the dock for debris regularly.



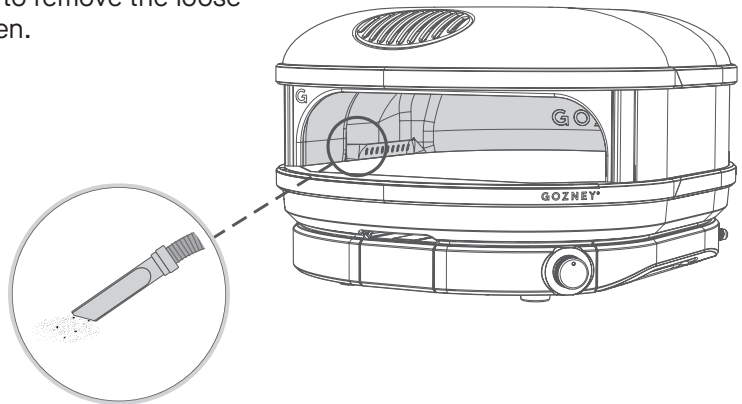
Cleaning The Oven

INTERNAL

The best way to clean the inside of Arc is to burn off any food debris or soot that is left behind. When the oven is over 350°C it will start self cleaning and any burnt on food will burn off after a period of three hours.



If there is any soot or debris left, wait for the oven to cool down and use a soft brush to dislodge, being careful not to apply too much pressure and damage the oven. Use a vacuum cleaner with a plastic attachment to remove the loose debris from the oven.



EXTERNAL

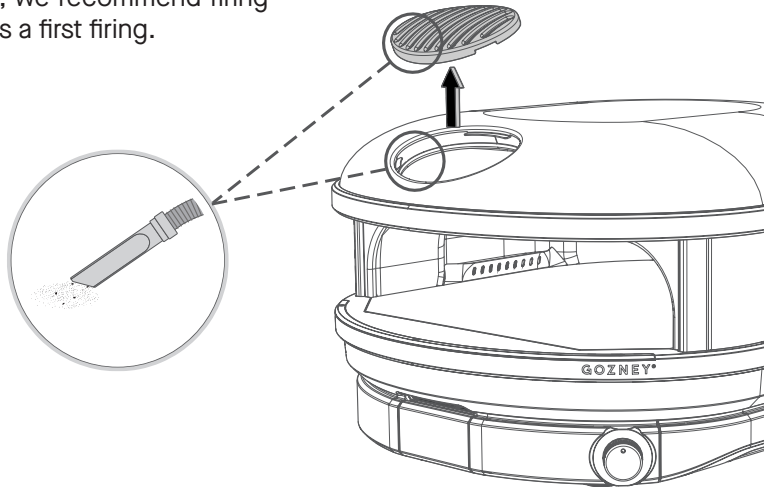
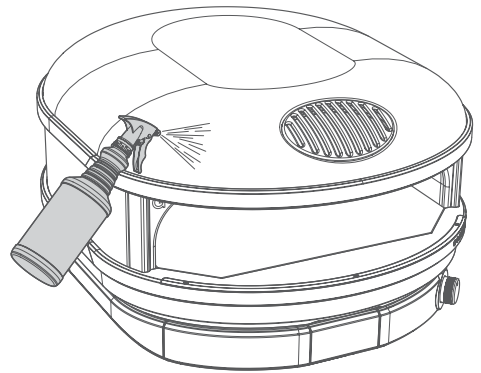
For the exterior of Arc ensure the oven is cool and use a non caustic bleach free cleaning spray on the dirty areas. Clean the area with warm soapy water and a sponge or non abrasive dish cloth and then wipe clean with paper towels. Arc's flue can also be removed for cleaning.

Avoid spraying directly onto the thermometer or control dial.

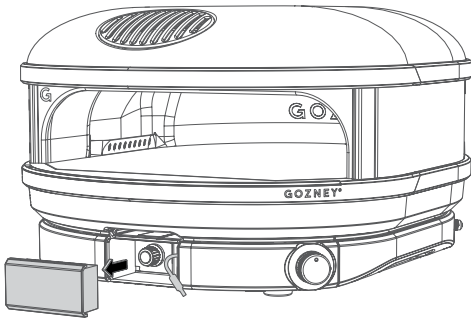
Do not use abrasive cleaning products.

When the oven isn't in use it should be kept under cover away from rain. If you are placing a cover directly on Arc, ensure it's completely cooled down before covering.

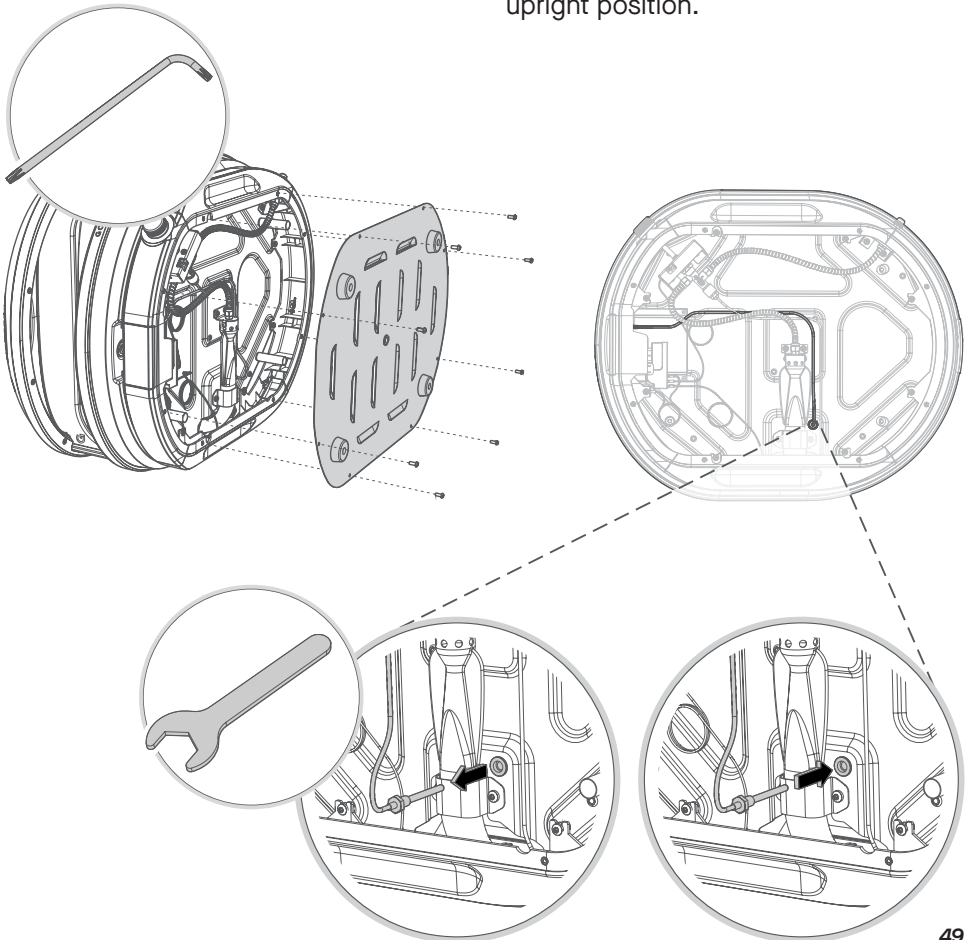
When using the oven again after a long period of disuse, we recommend firing the oven as if it is a first firing.



Replacing The Probe



Only when the oven is cold, remove the thermometer and unplug the cable. Gently roll the oven over onto its side and use the torx screwdriver to remove the bottom panel of the oven. Use the spanner to unscrew the old probe from inside the oven and replace it with the new one. Thread the cable back through to the front of the oven and plug it back into the thermometer. Replace the bottom panel and return the oven to its upright position.



GOZNEY°