

Moresque 76cm Moroccan Fire Pit



Step Outside and Live

User Instructions - Please keep for future reference

BGAMORESQUE
V1.0



Tools required (not included)



Tools required (included)



User Instructions - Please keep for future reference

IMPORTANT – Carefully remove any packaging before use, but retain the safety instructions. These instructions form part of the product. Please take note of all of the safety warnings listed in these instructions. Please read these instructions in their entirety and retain them for future reference. These instructions should be stored with the product. This product is for domestic use **ONLY** and should not be used commercially or for contract purposes.

Produced in China for GLG Australia PTY LTD
www.barbequesgalore.com.au

WARNINGS - CAUTION!

- This product is intended **FOR OUTDOOR USE ONLY**.
- **NEVER** leave a burning fire unattended.
- **DANGER** of carbon monoxide poisoning - **NEVER** light this product or let it smoulder or cool down in confined spaces.
- **DO NOT** overload the unit with fuel.
- **FIRE HAZARD** – Hot embers may emit while in use.
- **WARNING DO NOT** use petrol, white spirit, lighter fluid, alcohol or other similar chemicals to light a fire as a rapid increase in temperature could damage the product.
- This product is **ONLY** suitable for use with charcoal, untreated wood, logs or La Hacienda HeatBlox.
- **DO NOT** use this product on decking or any other flammable surfaces such as dry grass, wood chips, leaves or decorative bark.
- Ensure that the product is positioned at least 2 metres away from flammable items.
- **DO NOT** use this product as a furnace.
- **DO NOT** handle or move the product whilst alight as it will be hot.
- **ALWAYS USE** safety tool provided and heat resistant gloves when in use as the unit will be hot.
- **ALWAYS** keep children and pets at a safe distance from the product when in use.

CARE & USE

- Ensure that the product is positioned on a permanent flat, level, heat resistant non-flammable surface away from flammable items.
- Ensure product has a minimum of 2m overhead clearance and has a minimum of 2m clearance from other surrounding items.
- Decide on the location as above.
- The unit may be left outside all year if a La Hacienda Cover is used to help protect it from bad weather.
- As this model is made from steel, the surface will age and develop surface rust as soon as it is exposed to the natural weather elements and also from first use. This is to be expected; this does not affect use and is not a product fault. Please see below instructions on how to refresh the paint finish if desired.
- To help reduce surface rust, rub the product with an oily rag after each use.
- For safety reasons, always inspect your product prior to use for signs of fatigue and damage and replace your model as and when necessary.
- Always use heat resistant gloves during use and when adding fuel.

HOW TO USE AS A FIREPIT

- This product is only suitable for use with charcoal, untreated wood, logs or La Hacienda HeatBlox.
- Do not overload with fuel, only one or two logs is sufficient.
- Prepare a stack of loosely crumpled newspaper and place on top of log bars.
- Pile finely split dry firewood on top of paper.
- Carefully light the newspaper and place the mesh cover (1) on bowl using hand tool (8).
- Use the hand tool (8) to lift the mesh cover (1) when adding more fuel.
- Always use heat resistant gloves when adding fuel.

COOKING ON YOUR FIREPIT

- Please follow previous instructions on how to start your fire.
- It is recommended that the unit be heated up and the fuel kept red hot for at least 30 minutes prior to first cooking on the unit.
- Using heat resistant gloves and the hand tool, place the grill (5) on the top of the grill support bars (6) ensuring the grill is stable.
- **DO NOT** cook before the fuel has a coating of ash.
- If refueling is required, always use heat resistant gloves and the hand tool (8) provided to remove the grill (5) as this will be very hot.
- When you have finished cooking **DO NOT** remove the grill (5) until the unit has completely cooled.

FOOD COOKING INFORMATION

- Please read and follow this advice when cooking on your product.
- Always wash your hands before and after handling uncooked meat and before eating.
- Always keep raw meat away from cooked meat and other foods.
- Before cooking ensure grill surfaces and tools are clean and free of old food residues.
- **DO NOT** use the same utensils to handle cooked and uncooked foods.
- Ensure all meat is cooked thoroughly before eating.
- **CAUTION** – eating raw or under cooked meat can cause food poisoning (e.g. bacteria strains such as E.coli).
- To reduce the risk of under cooked meat cut open to ensure it is cooked all the way through.
- **CAUTION** – if meat has been cooked sufficiently the meat juices should be clear and there should be no traces of pink/red juice or meat colouring.
- Pre-cooking larger pieces of meat and joints is recommended before finally cooking on your grill.
- After cooking on your grill always clean the grill cooking surfaces and utensils.

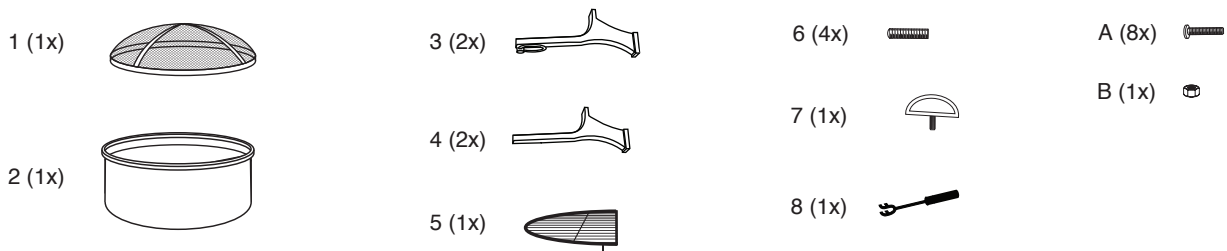
EXTINGUISHING

- To extinguish unit – stop adding fuel and allow fire to die or douse with sand. **DO NOT** use water as this may damage the product.

STORAGE

- When not in use, and if stored outside, cover the product once completely cooled with a La Hacienda Cover.
- Remove loose paint and rust with a wire brush when needed and re-paint using La Hacienda High Temperature Paint.

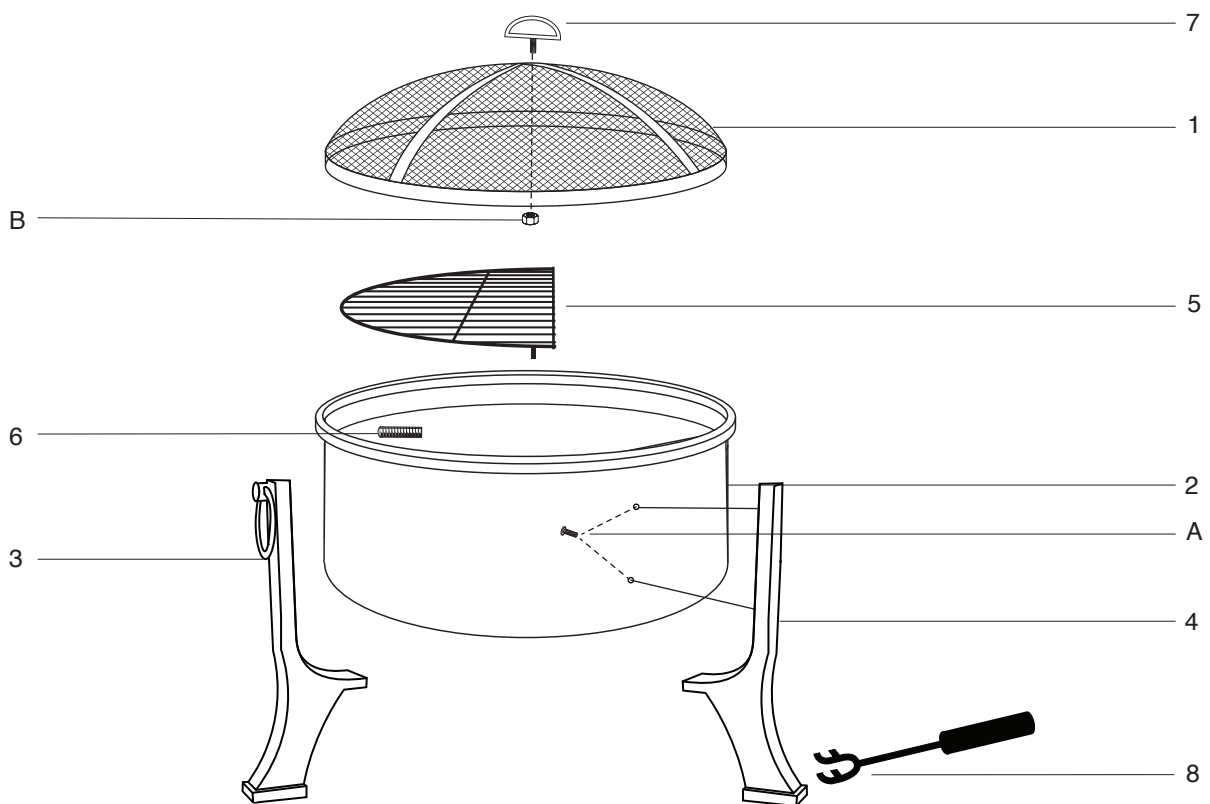
Parts list



Prior to Assembly: Read the instructions carefully. Check all parts against the parts list. Carry out assembly on a soft surface to avoid scratching the paint. Please retain this information for future reference. For ease of assembly only loosely tighten bolts and then tighten fully when assembly is complete.

WARNING - DO NOT over tighten bolts; only tighten with moderate pressure to avoid damaging the bolts or components of the product.

Assembly diagram



Assembly Instructions

IMPORTANT - Remove any packaging before use, but retain the safety instructions and store them with this product.

ASSEMBLY-

STEP 1 – Attach 4 x legs (3 and 4) to the bowl (2) using 2 x bolt (A) per leg ensuring that the two legs with handles (3) are located opposite each other. Tighten all connections.

STEP 3 – Screw 4 x support bars (6) into the bowl (2).

STEP 4 – Attach lid handle (7) to the mesh lid (1) using 1 x nut (B).

STEP 5 – Place cooking grill (5) onto the support bars (6) ensuring the grill pegs are located behind the support bars, preventing the grill from sliding.

STEP 6 – Place mesh lid (1) onto support bars.