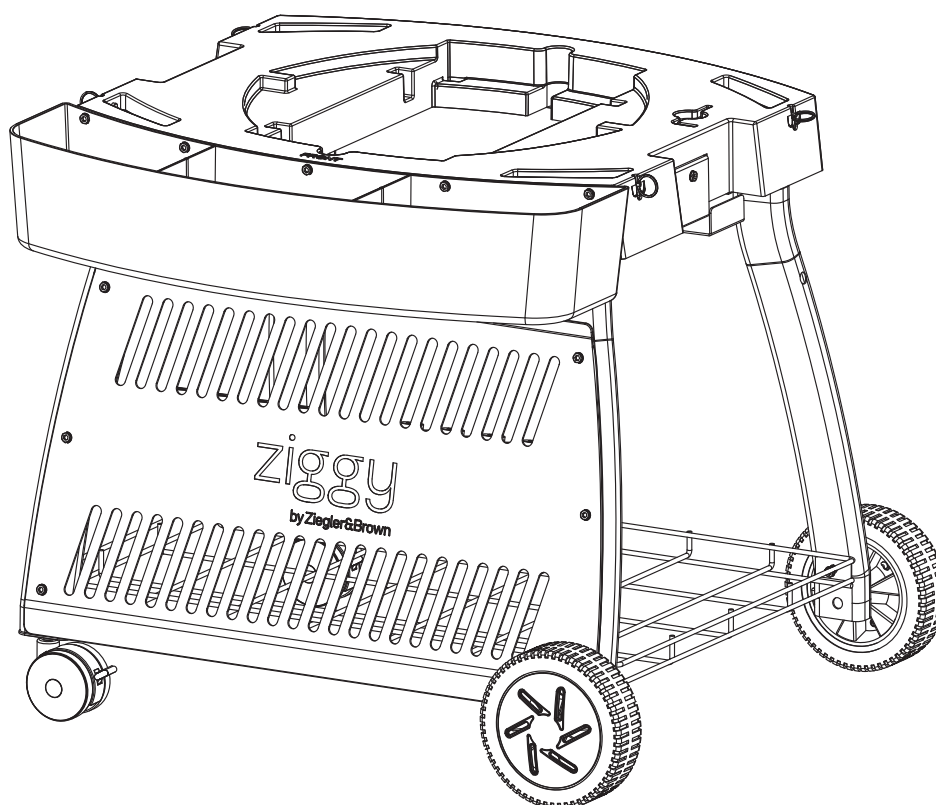


ZIEGLER & BROWN





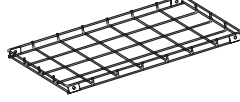
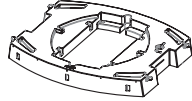




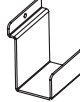
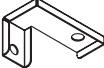
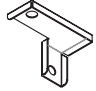


**TRIPLE GRILL
MOBILE CART
ASSEMBLY INSTRUCTIONS
CART CODE: ZG3GCARTC
SUITS ZIGGY TRIPLE GRILL**



ASSEMBLY INSTRUCTIONS


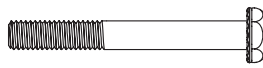


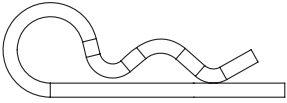

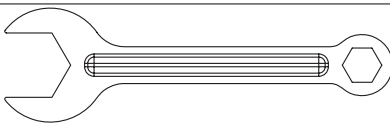

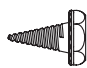
PARTS LIST

FIRST CHECK THAT YOU HAVE ALL THE PARTS:

ITEM	PART NAME	QTY	PICTURE	SPARE PART CODE
A	LEFT FRONT LEG BLACK	1		ZG3G010304AC
B	LEFT BACK LEG BLACK	1		ZG3G010303AC
C	RIGHT FRONT LEG (WITH AXLE HOLE) BLACK	1		ZG3G010304BC
D	RIGHT BACK LEG (WITH AXLE HOLE) BLACK	1		ZG3G010303BC
E	BOTTOM MESH	1		ZG3G010306
F	CART TABLE + PIN ASSEMBLY	1		ZG3G030101
G	HUBCAP	2		ZGTG001A0310C
H	WHEEL	2		ZGTG0302F
I	AXLE	1		ZG3G010307
J	CONDIMENT TRAY	1		ZG3G010305
K	CYLINDER HOOK	1		ZGTG0314
X	LEG SUPPORT FRONT LEFT & REAR RIGHT	2		ZG3G010309
Y	LEG SUPPORT FRONT RIGHT & REAR LEFT	2		ZG3G010310
Z	CASTOR WITH LOCK	2		ZG3G010308
JJ	FRONT PANEL	1		ZG3G0203401

ASSEMBLY INSTRUCTIONS

FASTENERS

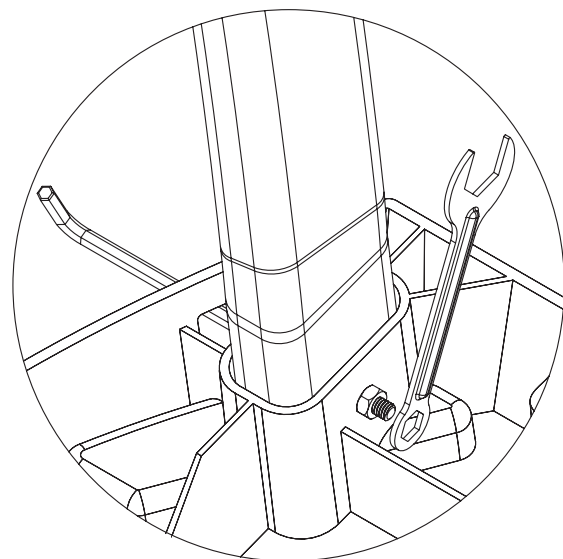
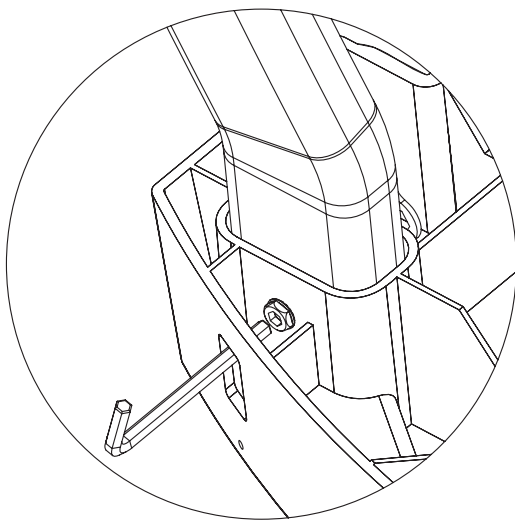
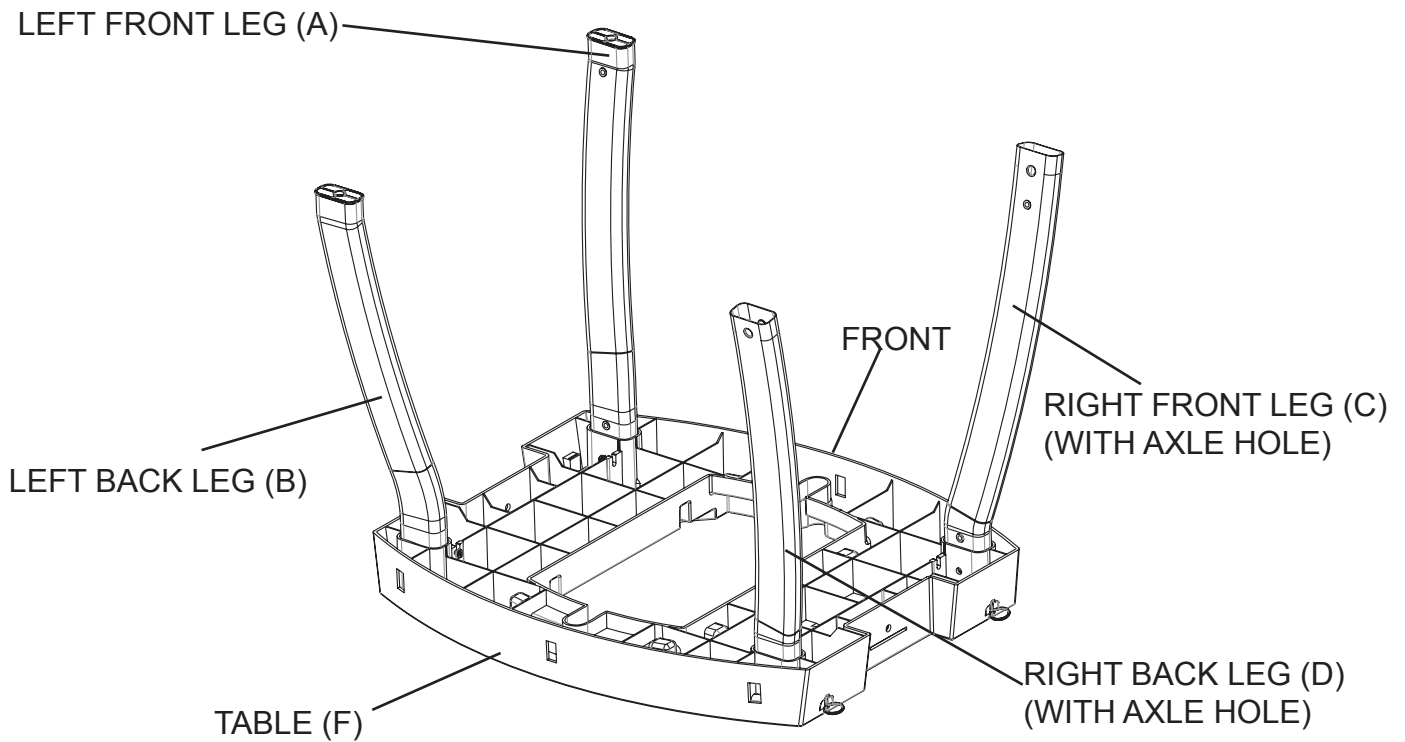
MARK	ITEM DESCRIPTION	QTY.	PICTURE
L	M6 x 20mm Bolt Allen Key Head	17	
M	M6 x 50mm Bolt Allen Key Head	4	
N	M6 Nut	9	
O	Spacer	2	
P	Split Pin	1	
Q	M6 Allen Key	1	
R	Spanner	1	
S	Spanner	1	
T	Allen Keyhead Self Tapping Screws	5	

(COMPLETE BOLT PACK SPARE PART CODE ZG3GCARTBP)

ASSEMBLY INSTRUCTIONS

Step 1

Turn the **TABLE (F)** upside down onto a stable flat surface. Insert the four **LEGS (A), (B), (C), (D)** as shown so that the legs all lean outwards. Matching the colour coded stickers makes this easier. The **RIGHT SIDE LEGS (C) AND (D)** with axle holes need to be both on the same side as shown. Secure each leg with one **M6 X 50mm BOLT (M)** and one **M6 NUT (N)**. Don't fully tighten yet.



 M6 X 50mm BOLT (M) 4 PCS

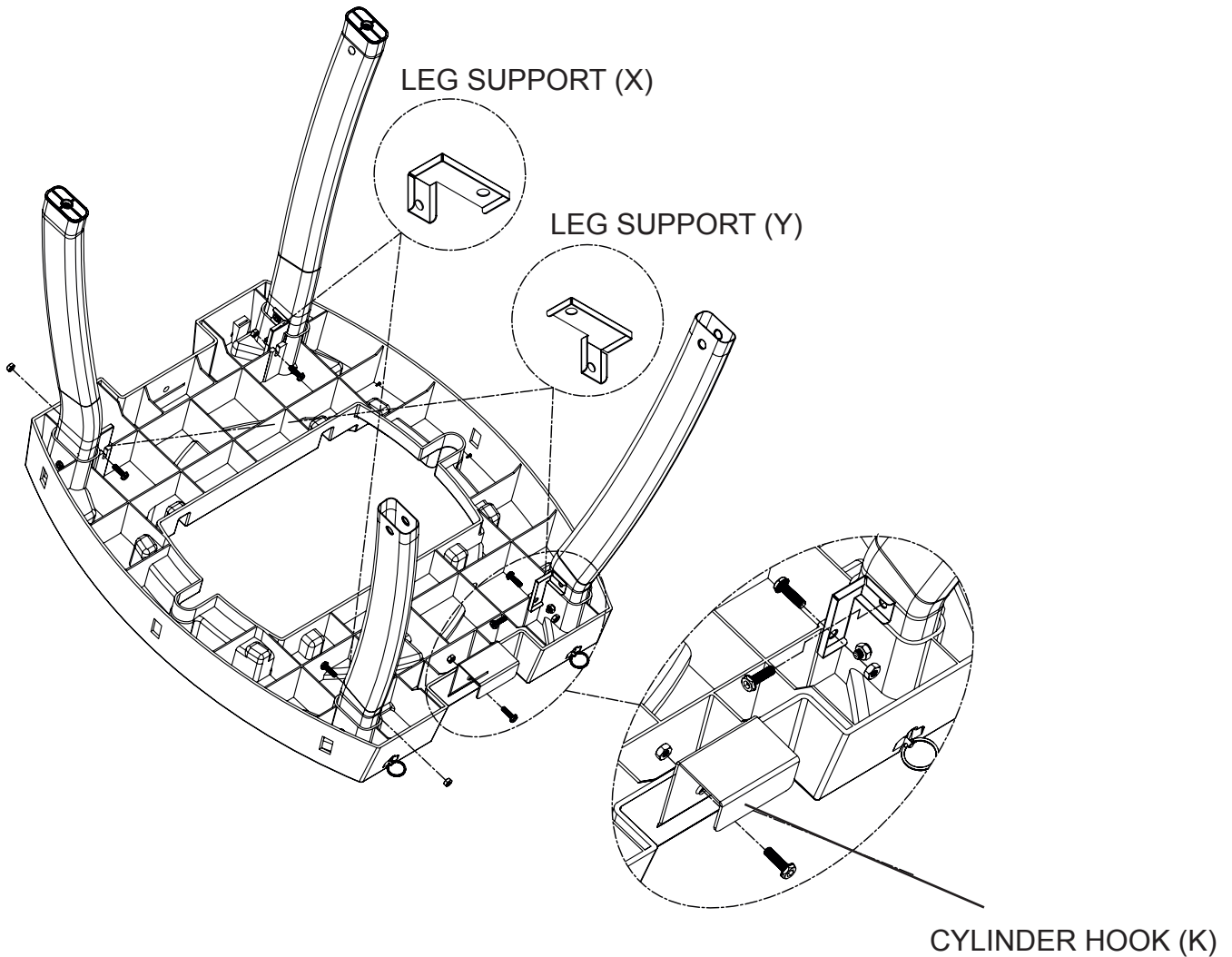
 SPANNER (R) 1 PC

 M6 NUT (N) 4 PCS

 ALLEN KEY (Q) 1 PC

Step 2

Fit the four **LEG SUPPORTS (X & Y)** as shown to brace the legs to the table using eight **M6 x 20mm Bolts (L)** and four **M6 Nuts (N)**. Matching the colour coded stickers makes this easier. Use the **Allen Key** and the **Spanner (R)** together to help hold the nut while you turn the bolt. Bolt the cylinder hook in place as shown using one **M6 x 20mm Bolt (L)** and one **M6 Nut (N)**.



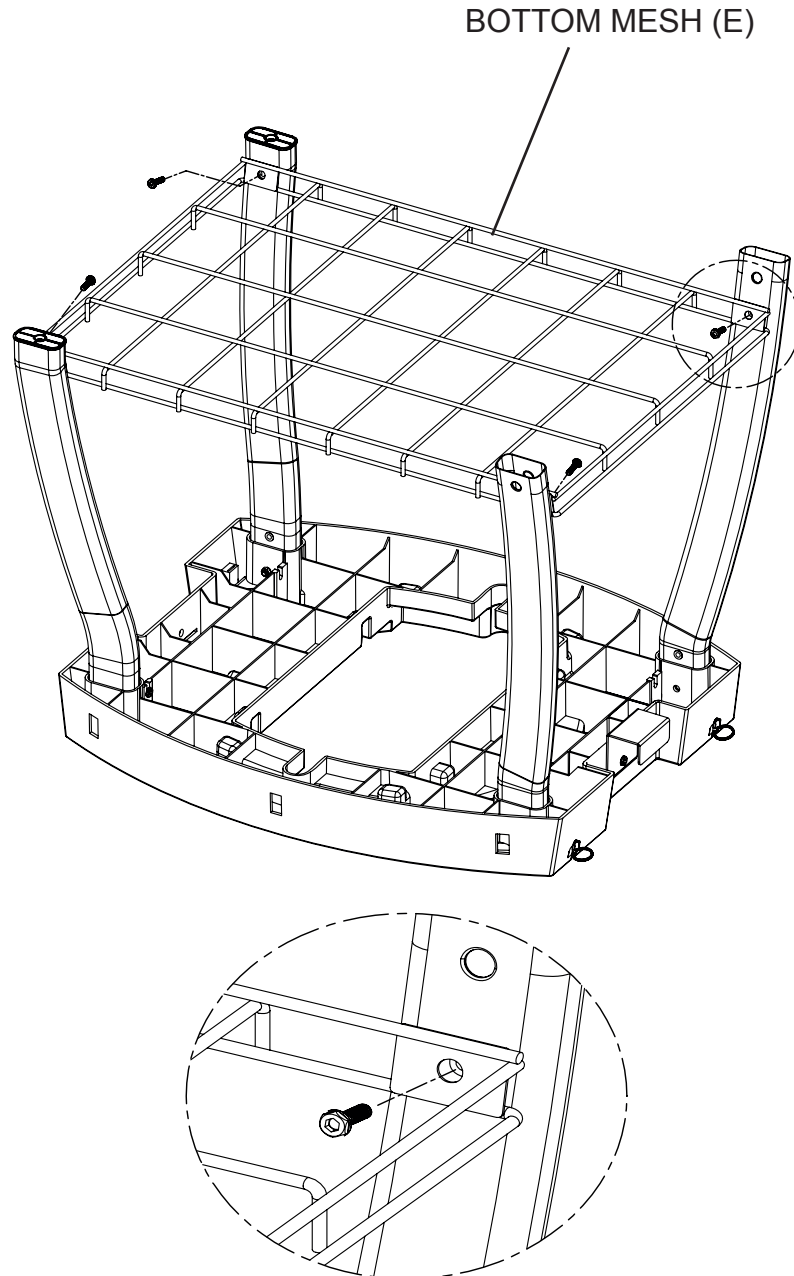
M6 X 20mm BOLT ALLEN KEY HEAD(L) 9 PCS



M6 NUT(N) 5 PCS

Step 3

Fit the **BOTTOM MESH (E)** using four **M6 X 20mm BOLTS (L)**.
Once all four bolts are in place, fully tighten using the **M6 Allen Key (Q)**.



M6 X 20mm BOLT ALLEN KEY HEAD(L) 4 PCS

Step 4

First unscrew all the six pre-installed bolts from the **CART FRONT LEGS** (Figure 1). Then install the **FRONT PANEL (JJ)** onto the CART FRONT LEGS with the same six bolts (Figure 2).

The brand name needs to be facing out as shown. Now go back and fully tighten all nuts and bolts used in Steps 1, 2, 3 & 4.

Figure ①

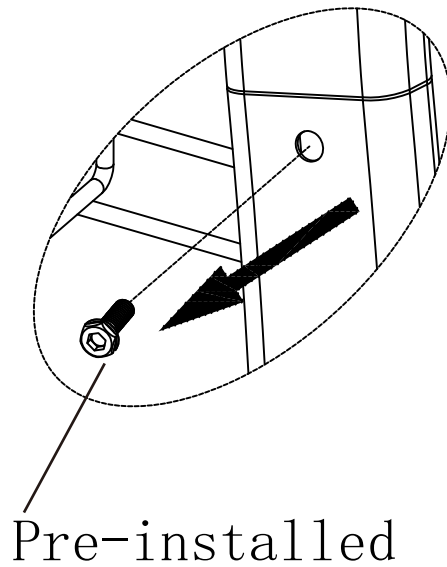
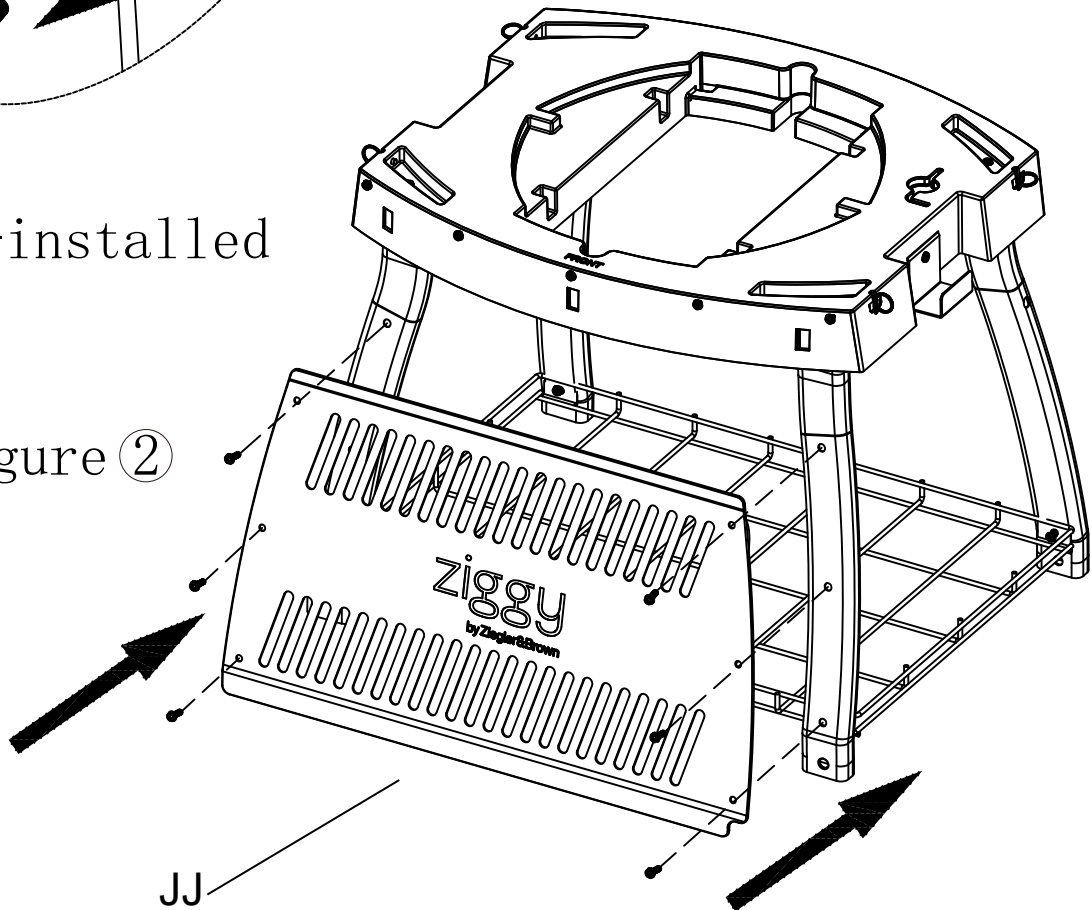


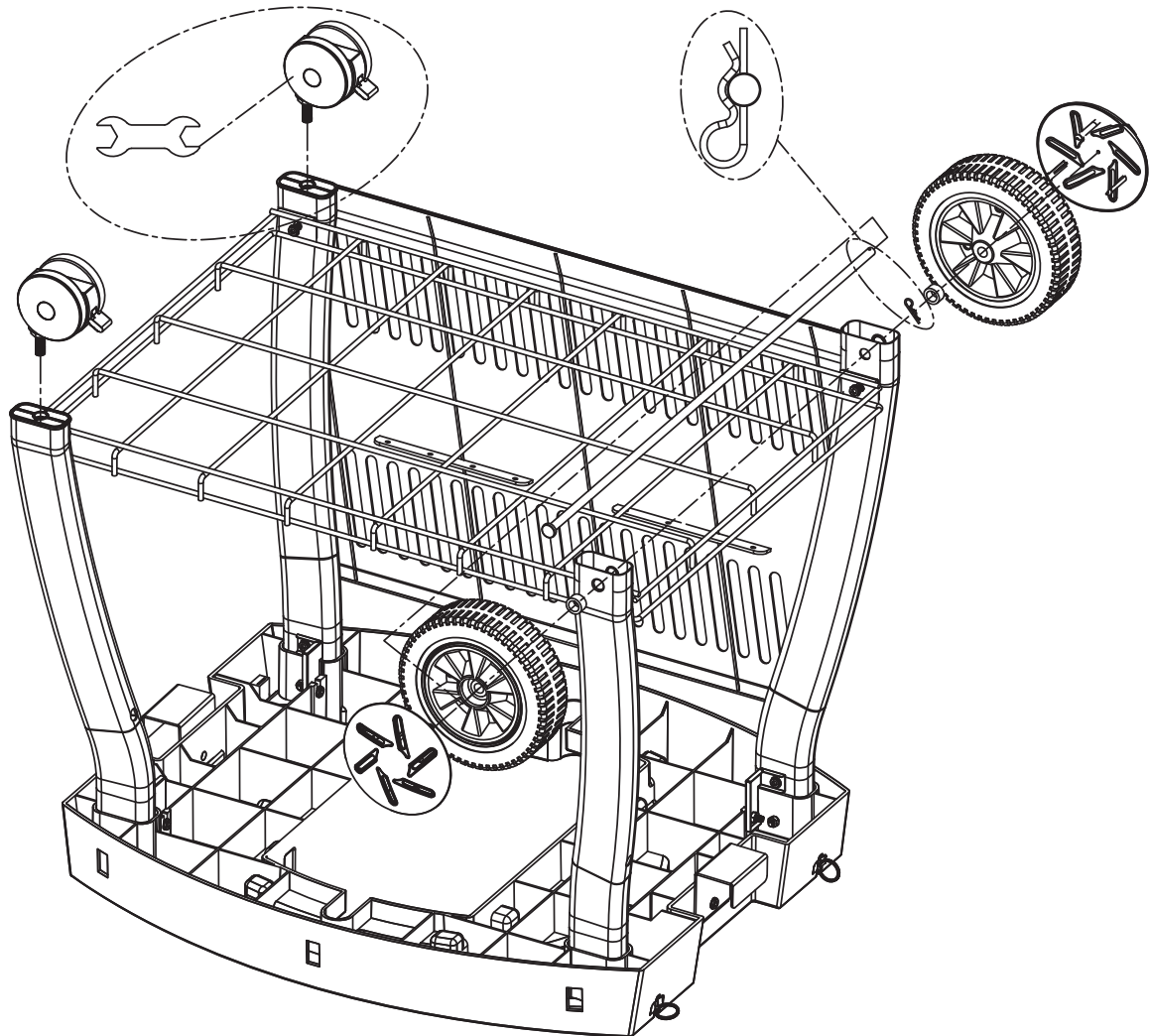
Figure ②



Step 5

Thread the **AXLE (I) FIRST** first through a **WHEEL (H)**, then through a **SPACER (O)**, then through the legs, then through another **SPACER (O)**, then through another **WHEEL (H)**.

Now fit the **SPLIT PIN (P)** into the axle, and clip the **HUBCAPS (G)** to the wheels. On the other two legs, fit one **CASTOR WITH LOCK (Z)** onto each leg and tighten firmly using **SPANNER (S)**.



SPACER (O) 2PCS



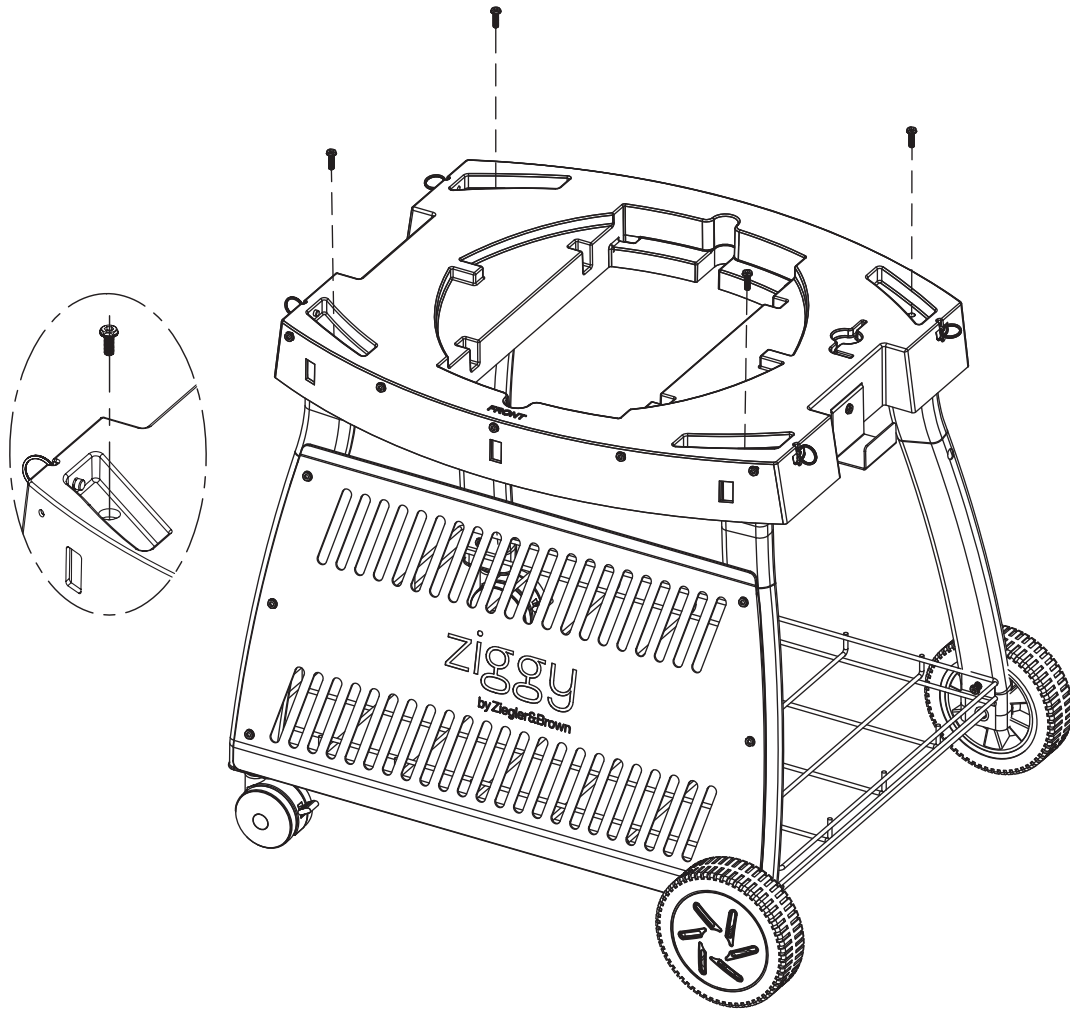
SPLIT PIN (P) 1PCS



SPANNER (S) 1PCS

Step 6

Turn the cart the correct way up and lock each leg in place with one **M6 X 20mm BOLT (L)** as shown. Tighten firmly using the **ALLEN KEY (Q)**. Do not overtighten.



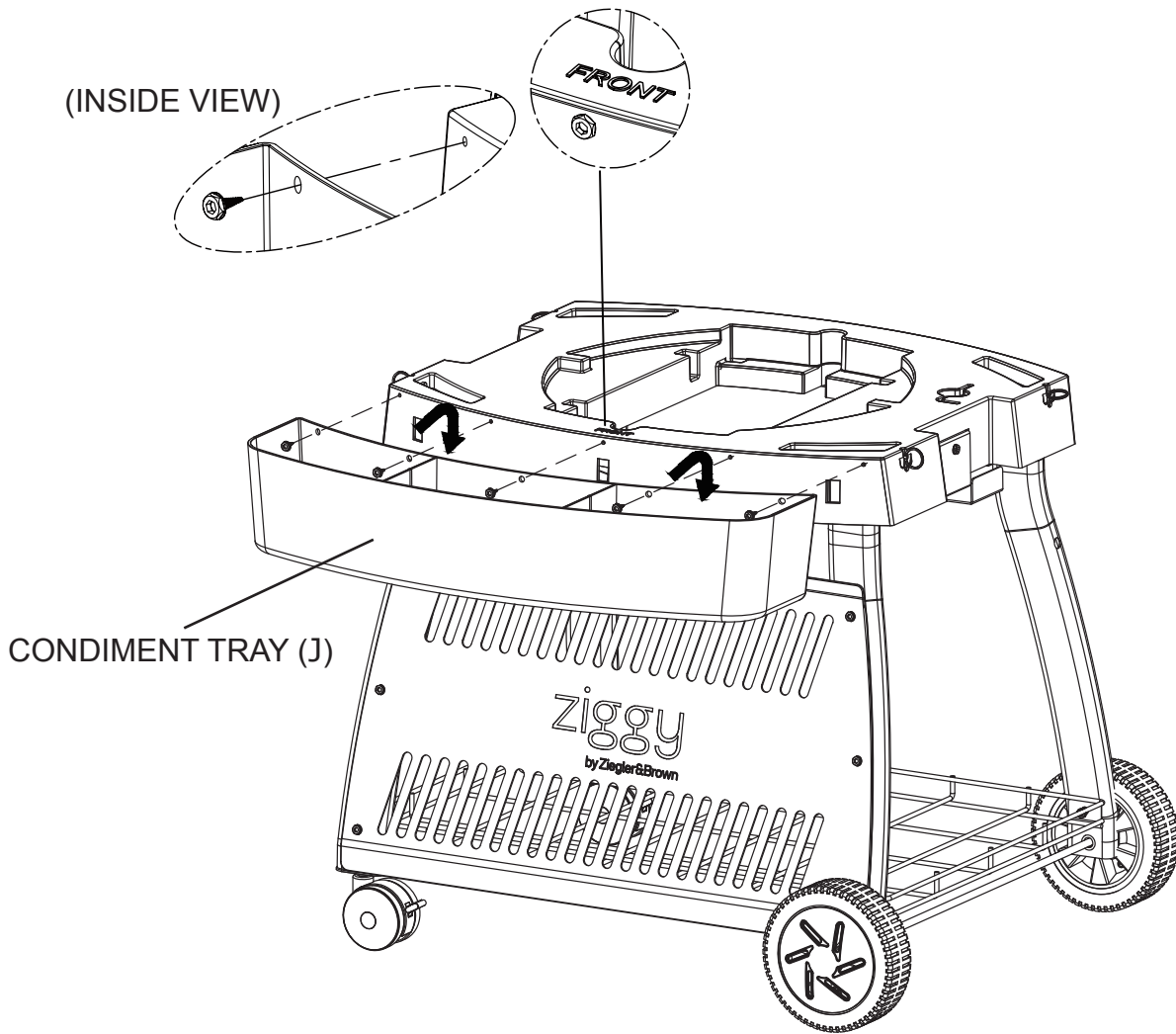
M6 X 20mm BOLT ALLEN KEY HEAD(L) 4PCS



ALLEN KEY (Q) 1 PC

Step 7

Hook the **CONDIMENT TRAY (J)** into place and secure firmly with five **SELF TAPPING SCREWS (T)**.



SELF TAPPING SCREWS (T) 5PCS

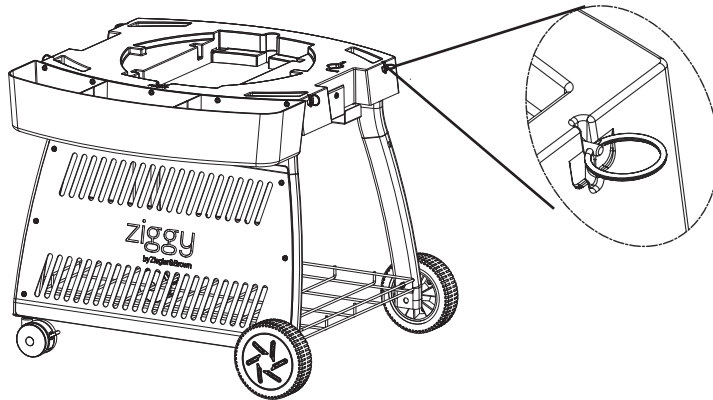
Step 8

Set all four leg locking pins to their “open” position by gently pulling outwards and twisting the rings to their “open” horizontal position as shown below.

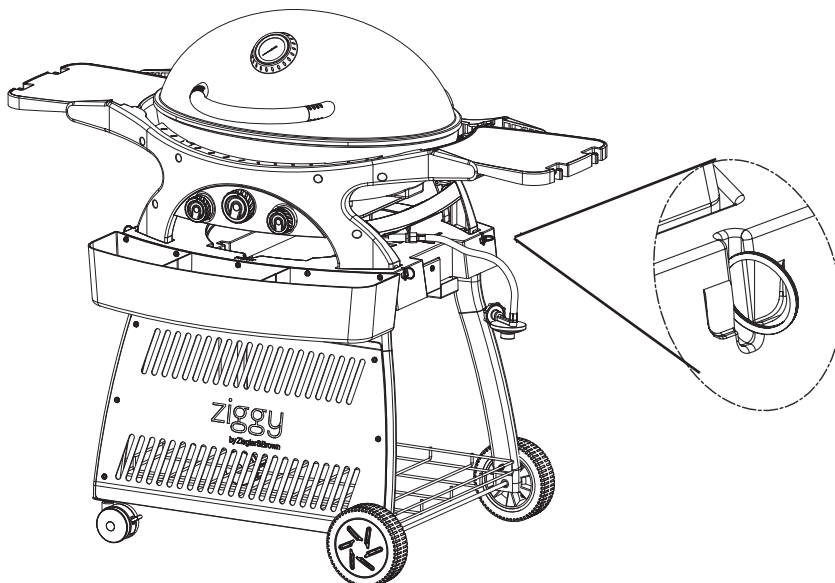
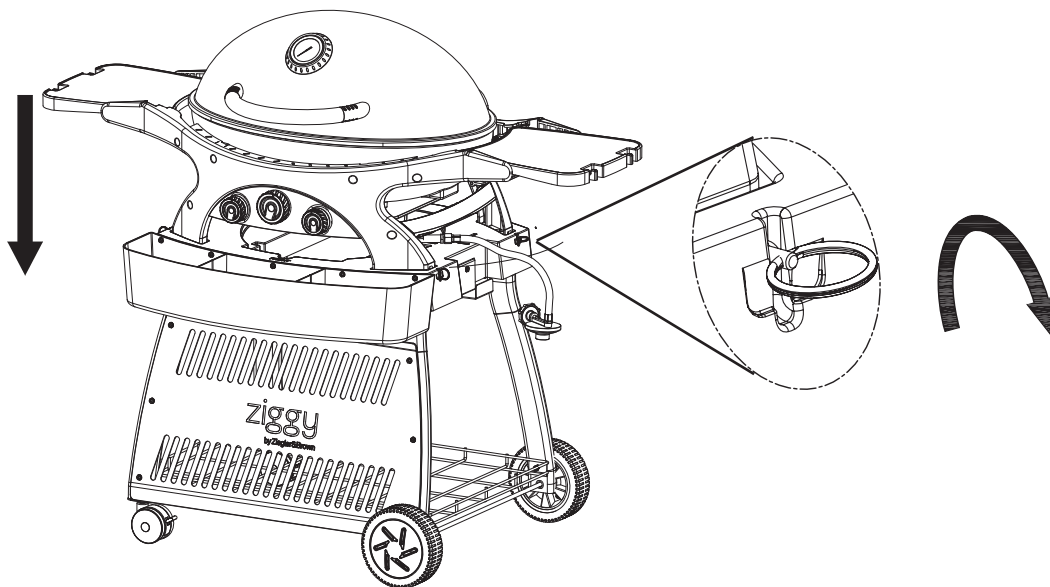
Place your Ziegler and Brown Triple Grill (SOLD SEPARATELY) in place on the table with the control panel at the front, cart wheels on the right as shown below.

Set all four leg locking pins to their “locked” position by turning the ring to vertical as shown below.

Make sure the pins engage into the barbecue legs.



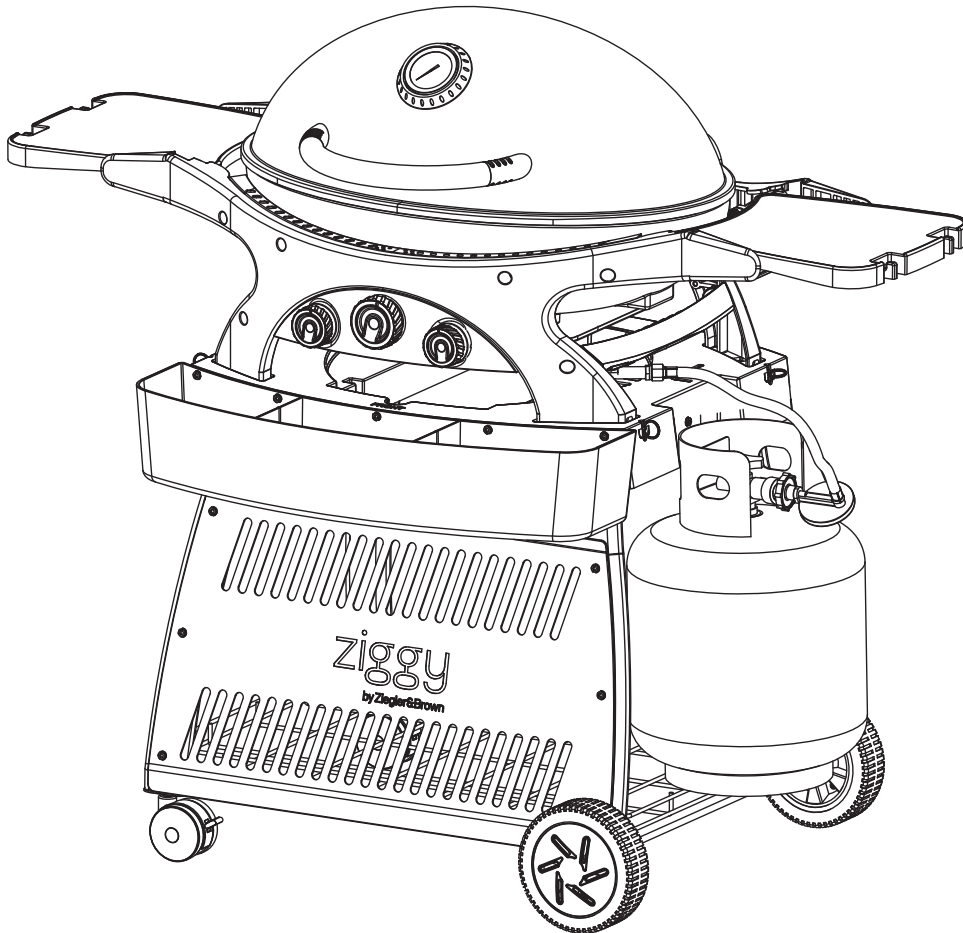
LEG LOCKING PINS “OPEN”

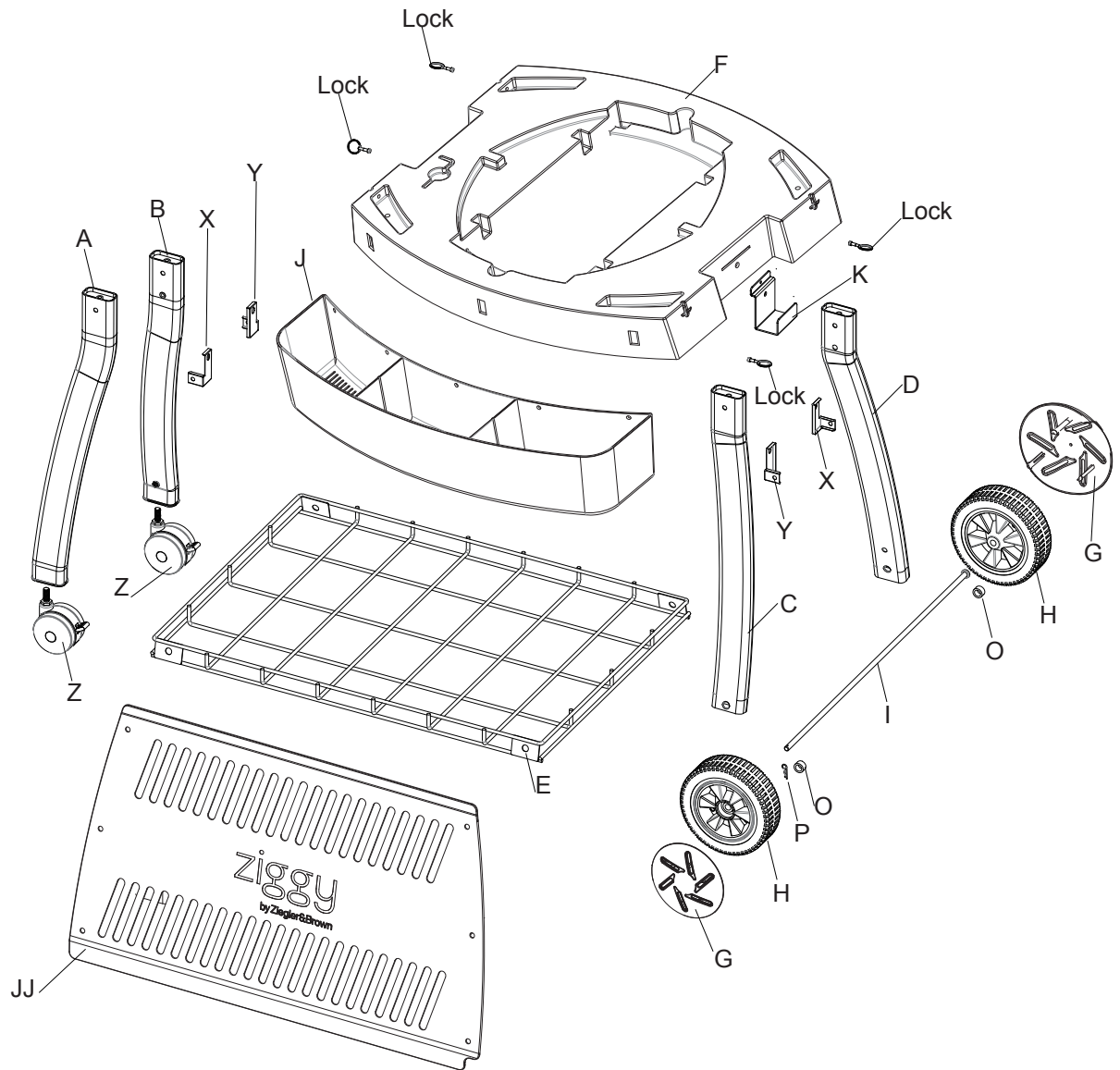


LEG LOCKING PINS “LOCKED”

Step 9

Refer to your Ziegler and Brown Triple Grill instruction manual for details on attaching and safety connecting the gas supply.
For reticulated (piped) gas connections, the chain supplied with the barbeque is required as detailed in the barbeque instruction manual.



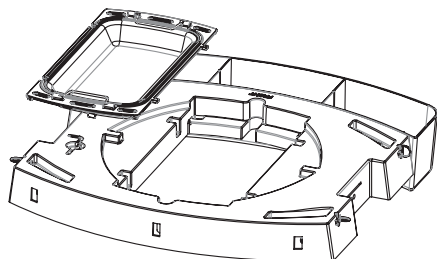


Parts List

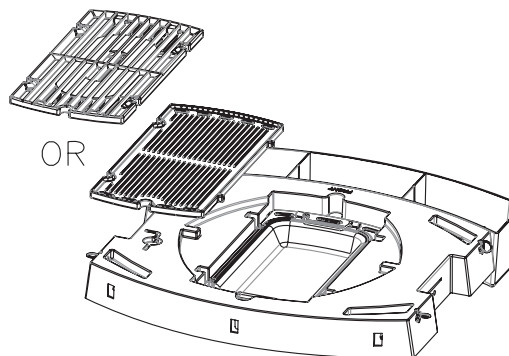
ITEM	PART NAME	PART CODE	QTY PER BBQ	QTY PER CODE
A	LEFT FRONT LEG (BLACK)	ZG3G010304AC	1	1
B	LEG BACK LEG (BLACK)	ZG3G010303AC	1	1
C	RIGHT FRONT (WITH AXLE HOLE) - BLACK	ZG3G010304BC	1	1
D	RIGHT BACK (WITH AXLE HOLE) - BLACK	ZG3G010303BC	1	1
E	BOTTOM MESH	ZGTG0306	1	1
F	CART TABLE + PIN ASSEMBLY	ZG3G030101	1	1
G	HUBCAP	ZGTG001A0310C	1	1
H	WHEEL	ZGTG0302F	1	1
I	AXLE	ZGTG0309	1	1
J	CONDIMENT TRAY	ZGTG0305	1	1
K	CYLINDER HOOK	ZGTG0314	1	1
O	WHEEL SPACER	ZGTG0325	2	1
P	SPLIT PIN		1	
X	LEG BRACE (FRONT-LEFT) & (REAR-RIGHT)	ZG3G010309	2	1
Y	LEG BRACE (FRONT-RIGHT) & (REAR-LEFT)	ZG3G010310	2	1
Z	LOCKING CASTOR WHEEL	ZG3G0308	2	1
JJ	FRONT PANEL	ZG3G0203401	1	1
LOCK	PIN + SPRING + RING	ZGTG030102	4	1

OPTIONAL ACCESSORIES STORAGE INSTRUCTIONS

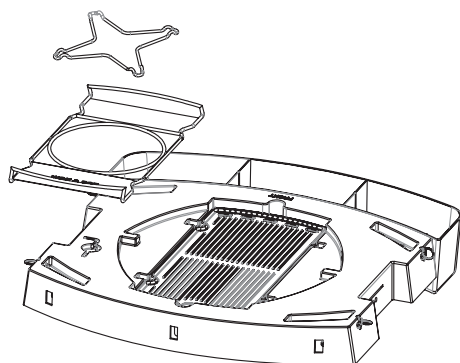
First



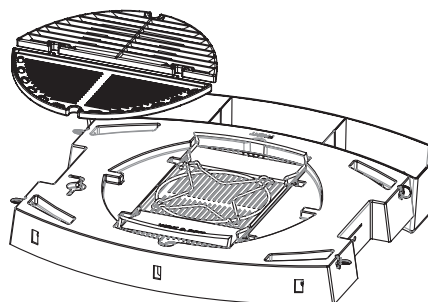
Second



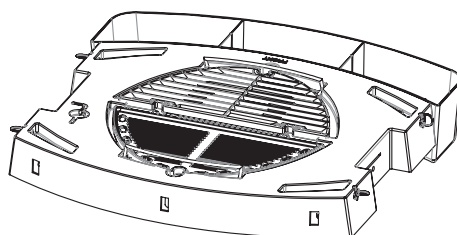
Third



Fourth



Complete



More Information?

Need more information or assistance in any way?
You can call your Barbeque Galore store where barbeque experts will be happy
to help you.

Just phone 1800 978 555 for your nearest store.

Or visit our website at: www.barbequesgalore.com.au
For customer care call 1300 301 392