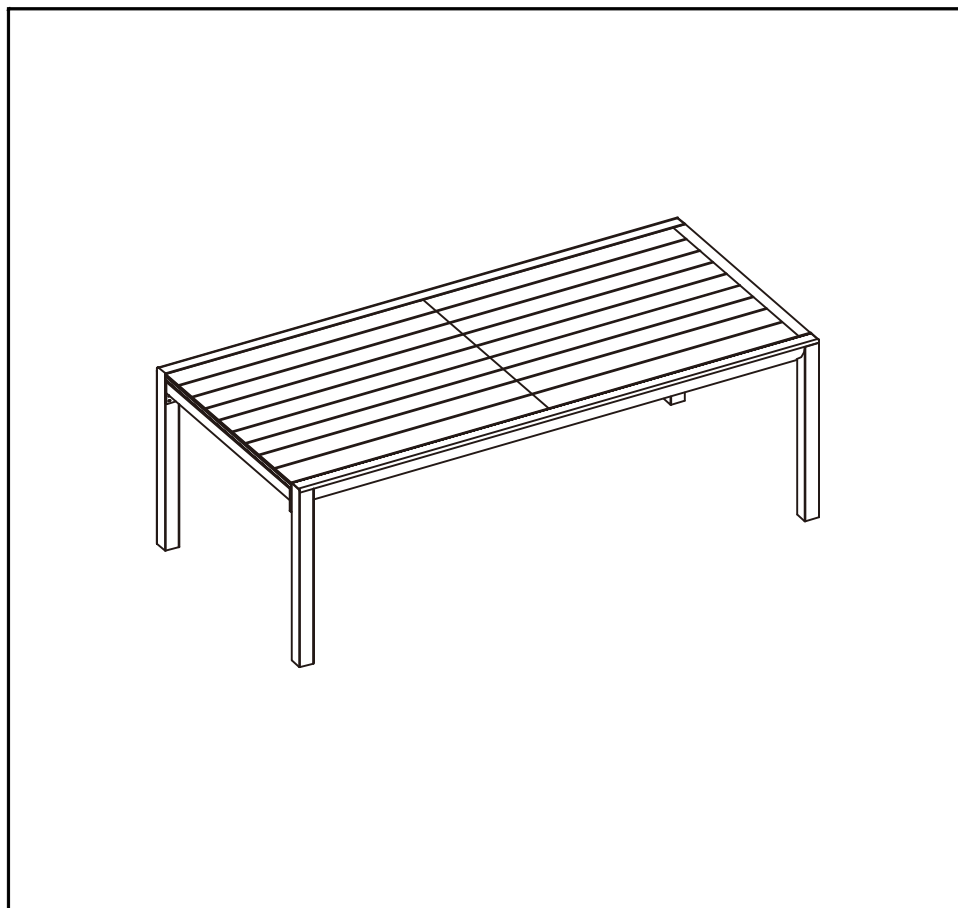




ASSEMBLY INSTRUCTIONS

JETTE EXTENSION DINING TABLE 220-340x104cm

PRODUCT CODE: JETEXTT220G/JETEXTT220W



Imported by Barbeques Galore Limited, NSW, Australia.
For assistance with assembly or for missing parts please phone
Customer Service 1300 301 392 or email customer@bbqgalore.com.au

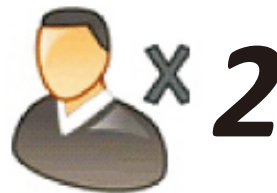
PRE-ASSEMBLY PREPARATION

Before you start :

1. Choose a clean, level, spacious assembly area. Avoid hard surfaces that may damage the product.
2. Take care when lifting. Product should be assembled as near as possible to the point of use.
3. Ensure that you have all required contents for complete assembly.
4. Always read the assembly instructions carefully before beginning assembly.
5. Keep all hardware parts and packaging out of reach of small children.
6. Do not over tighten the screws and bolts as this may damage the threads.

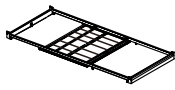




ALLOW 30 MINUTES
FOR ASSEMBLY



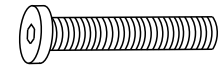

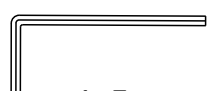


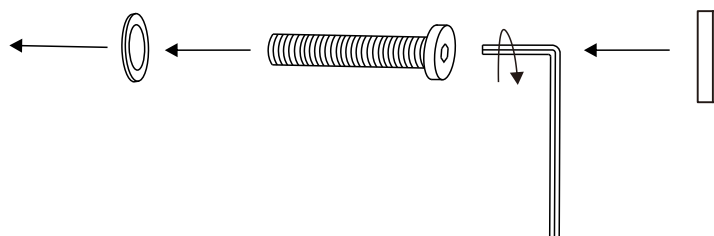
2 PEOPLE REQUIRED
FOR ASSEMBLY

PARTS LIST

<p>1</p>  <p>1PC</p>	<p>2</p>  <p>2PCS</p>	<p>3</p>  <p>2PCS</p>
---	--	---

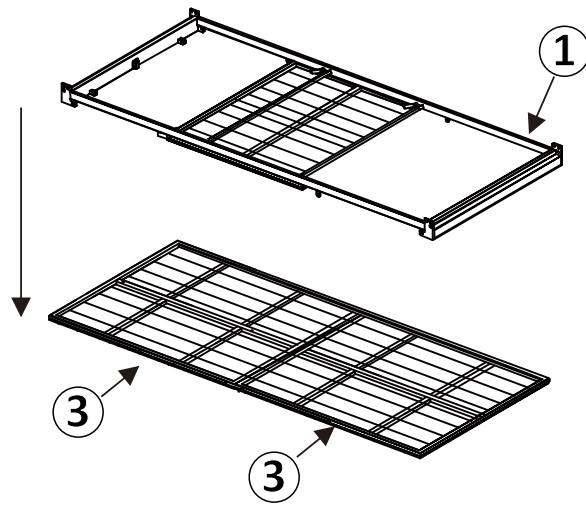
1. TABLE FRAME
2. TABLE LEG
3. TABLE TOP

<p>A</p> <p>Plastic Washer</p>  <p>8xA</p>	<p>B</p> <p>Bolt Cover</p>  <p>24xB</p>	<p>C</p> <p>Bolt</p>  <p>M6X25MM 24xC</p>	<p>D</p> <p>Steel Washer</p>  <p>24xD</p>
<p>E</p> <p>M6 Wrench</p>  <p>1xE</p>			



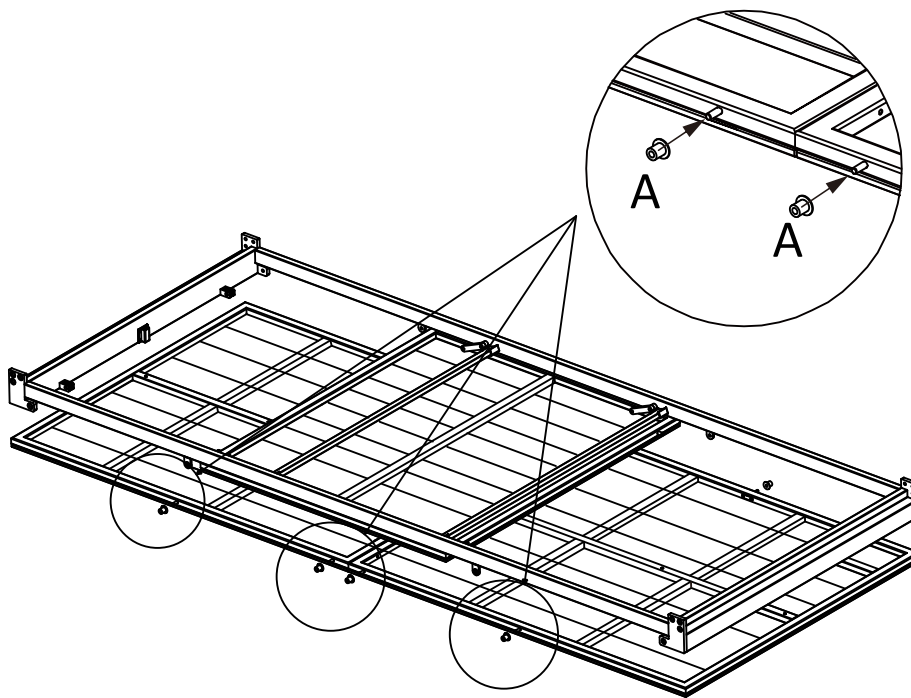
STEP 1:

PLACE THE TABLE TOP UPSIDE DOWN ON A FLAT, SOFT SURFACE TO AVOID DAMAGE.
ALIGN HOLES IN PART ③ OVER THREADS IN PART ①.



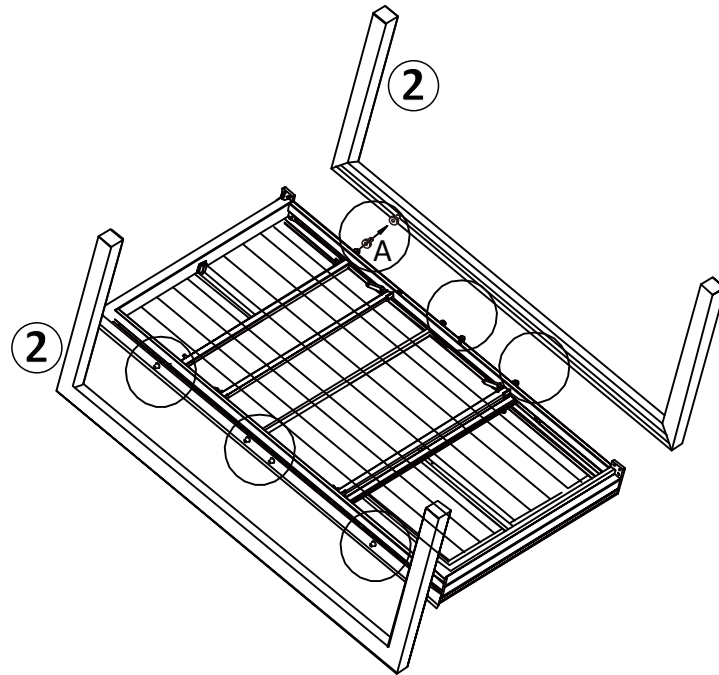
STEP 2:

ATTACH PART ③ TO PART ① USING BOLTS AS SHOWN BELOW.



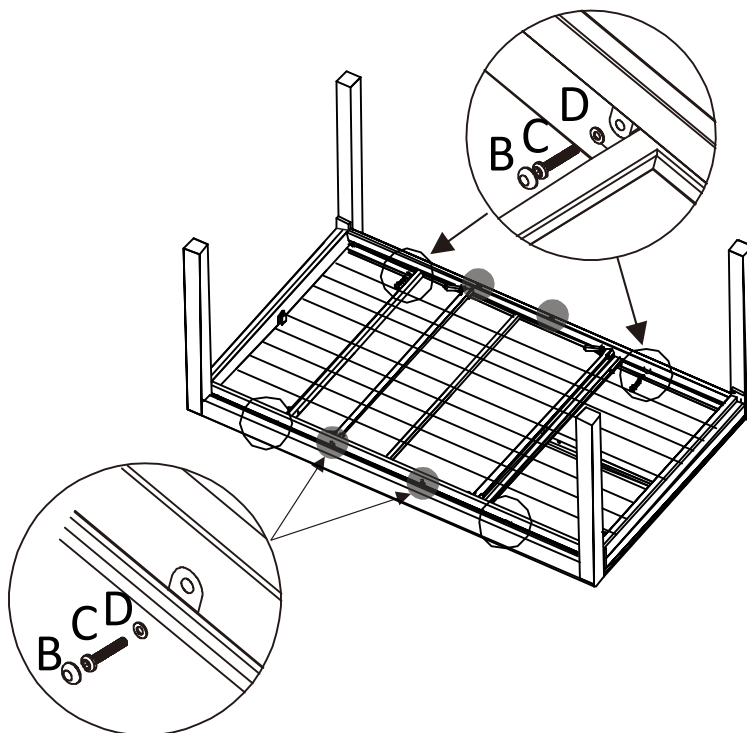
STEP 3:

ALIGN HOLES IN PART ② OVER THREADS IN PART ①.



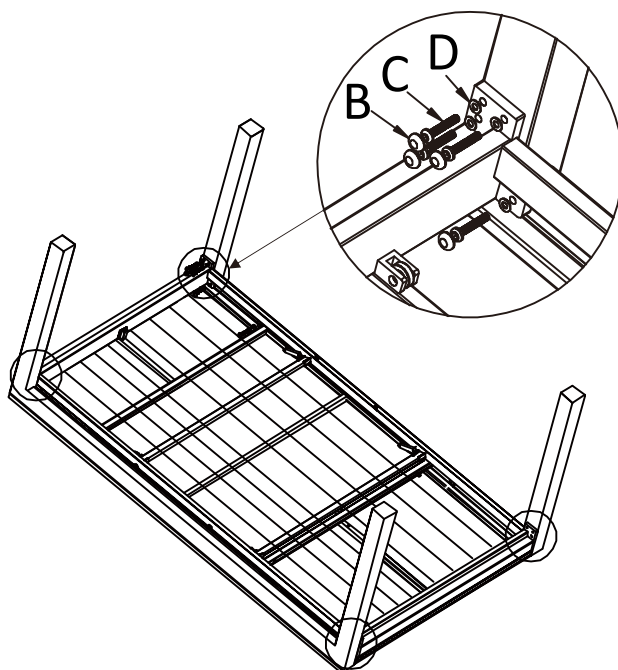
STEP 4:

ATTACH PART ② TO PART ① USING BOLTS AS SHOWN BELOW.



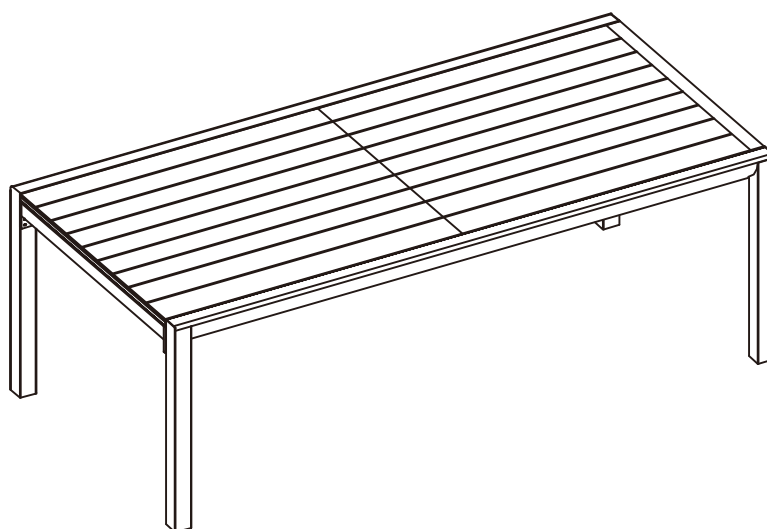
STEP 5:

ATTACH PART ② TO PART ① USING BOLTS AS SHOWN BELOW.
TIGHTEN ALL BOLTS AT THIS POINT.



STEP 6:

FLIP THE TABLE OVER, YOUR TABLE IS READY FOR USE.



CARE AND MAINTENANCE

POWDERCOAT

- When cleaning the frame, use a damp cloth with washing up liquid or soft soap if necessary.
- Do not use washing powders or any other substances containing abrasives that may potentially scratch the powdercoat.

TABLE

- **Do not:**
 - Use table as a ladder
 - Climb on the table

IN CASE OF DIRECT SUNLIGHT

- To guard against fading when exposed to direct sunlight or the everyday elements, we recommend the use of outdoor furniture covers.